

**VEVOR<sup>®</sup>**

**MINI AIR COMPRESSOR  
INSTRUCTION MANUAL**





## NEED HELP? CONTACT US!

Have product questions? Need technical support? Please feel free to contact us:

**[CustomerService@vevor.com](mailto:CustomerService@vevor.com)**

This is the original instruction, please read all manual instructions carefully before operating. VEVOR reserves clear interpretation of our user manual. The appearance of the product shall be subject to the product you received. Please forgive us that we won't inform you again if there is any technology or software updates on our product.

Thanks for purchasing our air compressor and please read this Instruction Manual carefully and thoroughly before operating the air compressor to receive optimum results.

This mini compressor uses the special non-oil type design. Its non-oil promises the transmission medium not to be depoluted. Its output fluid is steady and the range of pressure is from 15-25psi. It is very suitable to be used for airbrush makeup, airbrush nail, spray flowers, Cake decorating and etc because of its non-oil design and continuously work.

## NOTICE

Clean the Airbrush IMMEDIATELY after use. Delayed or inadequate cleaning will permanently clog the Airbrush.

## A. SPECIFICATIONS

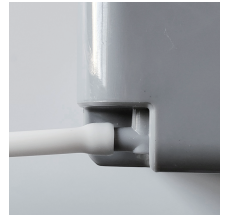
MODEL	VOLTAGE	ZERO-LOAD-CURRENT	AIR OUTPUT PER MIN	MAX PRESSURE	AUTOSTOP	SIZE (MM)	WEIGHT
TC-101A	12V	< 1.0A	10 LPM	-----	1.5.bar	135*98*60	0.5KG

## B. SAFETY

1. Do not use the Compressor for other purpose than the one it has been designed for.
2. Do not process other fluid than air.
3. Do not operate the compressor in explosive atmospheres, such as in the presence of flammable liquids, gases or dust.
4. Always make sure the unit is unplugged from the electrical line before performing any service, maintenance or cleaning.
5. Do not expose this unit to rain or moisture.
6. Do not allow children and other untrained people to use or play with the compressor.
7. To avoid the risk of burning, be aware that after extensive use of the compressor, some parts can be very hot. Allow the compressor to cool down before touching it.
8. Do not leave the compressor unattended while running.

## C. INSTALLATION

1. After taking the compressor out of its packaging, please check, it carefully for any damages due to shipping.
2. Install the compressor on a flat surface in a suitable sized, dry room with good ventilation, where the temperature is not likely to rise above 94 degrees Farenheits (35 degress Centigrades)
3. Insert the power cord into a grounded outlet.  
Be sure the electrical line rating is proper to the appliance (refer to the data label), that the electrical line is protected and equipped of the ground line.
4. Connect one end of the air hose to the air outlet of the compressor.



## D. HOW TO SPRAY

1. Turn on the compressor.
2. Fill fluid in the cup after thinning appropriately.
3. Press down on the airbrush trigger to release air from the nozzle. Slowly and gently draw back on the trigger to release paint from the needle. The air will atomize the paint and create a fine spray.



4. Continue to move the trigger back slowly to achieve the consistency you need for your spray technique.
5. The spray pattern is in accordance with distance between a work surface and airbrush. Keep the distance from the work piece at about 3" to 5", depending on the air flow and paint type. For very delicate work, you may reduce the distance up to 1" from the work piece.
6. To avoid paint build up, start moving the airbrush before pressing the trigger. When finished with the stroke, release the trigger while still moving the airbrush. Doing this will produce a smoother finish. Do not stop moving the airbrush while spraying. If the airbrush stops even briefly while spraying, paint can build up and run down the work piece.
7. When finished using the compressor, turn its power switch off. Release any remaining air. Air hose fittings and compressor body may get hot. Allow fittings to cool before disconnecting, or wear gloves to prevent burns.
8. Perform maintenance on the compressor according to the instructions on the following pages.
9. Clean the airbrush thoroughly IMMEDIATELY after EVERY use, according to instructions on the following pages.

Note: Do not use the compressor continuously for longer than 20 minutes. Allow the compressor to cool down for 15 minutes after every 20 minutes working cycle. Motor is equipped with a thermal protector with automatic reset.

## E. HOW TO MIX PAINT FOR AIRBRUSH

Warning: The air brush shall be filled with special paint and dilute accordingly. Do not use normal paint like lacquer and nail polish directly, or the nozzle will be blocked and cannot use any more. We suggest to thin paint according to the manufacturer's directions and mix thoroughly. Or refer to the following steps:

Step 1. Choose your paint. Different projects call for different paint, so select the right paint for the job.

Step 2. Match the thinner/reducer to your paint.

<p>You can use one or multiple of the following when thinning water-based airbrush paints:</p>	<ul style="list-style-type: none"> <li>• The Manufactured Reducer (Water-Based)</li> <li>• Distilled Water (But don't use a lot)</li> <li>• Airbrush Acrylic Medium (Ether by itself, or along side the others listed above)</li> </ul>
<p>You can use one of the following when thinning solvent-based airbrush paints:</p>	<ul style="list-style-type: none"> <li>• The Manufactured Reducer (Solvent-Based)</li> <li>• Mineral Spirits</li> <li>• Lacquer Thinner</li> </ul>

Tip: Water colors, Tempera and acrylic paints can usually be thinned with distilled water. Enamel paints are solvent based, and are generally thinned with mineral spirits. Lacquer paints are solvent based, and are thinned with lacquer thinner.

Step 3. Pour the needed amount of paint into a mixing cup.

Step 4. Determine the mixing ratio. The ratio of thinner to paint depends on the brand of paint and the surface you're painting. Most paints will have thinning instructions on the can that include the recommended thinner and thinning ratio.

Step 5. Add the proper ratio of thinner to the amount of paint in the mixing cup. If the paint you are using does not have any instructions, Generally, you want to start with a ratio of two parts paint to one part thinner. If the paint is still too thick, add more thinner until you achieve the desired consistency. Conversely, if the paint is too thin, add more paint to thicken it up. then thin the paint to a watery consistency, until it flows like milk.

Step 6. Slowly stir the mixture with a mixing stick until the paint is thoroughly mixed.

Step 7. Pour the thinned paint through a paint strainer into a second mixing cup. This step is optional, but insures that there is no dirt or debris in the paint.

Tip: Test the mixture on a scrap piece of material before beginning your project

Warning: Follow any manufacture's safety instructions that may be included with the paint, and use a little common sense. Solvent based paints and thinners/reducers are flammable, so keep

them away from open flames. Use solvent based paints in a well ventilated area, and wear a respirator if needed.

## F. HOW TO CLEAN AIRBRUSH

1. Empty the jar and clean it with solvent.
2. Turn on the compressor and connect the airbrush.
3. Refill cup with water or solvent, then block the needlecover with a finger and press the operation lever. The air flows backward into nozzle to clean the paints remained in the air brush.
4. Disconnect the airbrush from the compressor.
5. Remove the nozzle and needle and soak them in solvent until clean. Use the brush or old toothbrush /toothpicks to remove any paint.

CAUTION: Do not immerse the airbrush.

Note: Do not use metal objects to clean the nozzle to prevent damage to passages. If the needle is bent, have it replaced by a qualified technician.

6. Use solvent to wipe down the airbrush body.

7. Lubricate the airbrush after cleaning. A non-silicon oil or a light lubricant may be used on threaded connections before storing.



## G. HOW TO CHANGING NEEDLE & NOZZLE

First ,ensure both the replacement nozzle and needle are both the same in terms of size.

- 1.Unscrew / Remove The Tale Casing Of The Airbrush. Unscrew / Remove The Needle Cap & Nozzle Cap & Nozzle Located At The Nose Of The Airbrush



- 2.Loosen The Needle Lock Chucking Net

Note, you don't need to remove it completely, Just loosen it(2-3 turns).This will free up the needle, and allow you to pull the needle out of the airbrush cavity.

- 3(1).Removal Strategy 1) If Needle Tip Is Straight & Nozzle Is Free From Damage:

Slowly remove the needle by pulling the tale of the needle through and out the tale of the airbrush. (if you feel any sudden unusual resistance, stop and resort to step 4.2 below.)

- 3(2). Removal Strategy 3) If Needle Tip Is Bent & Nozzle Is Damaged

Push the airbrush needle from the tale, through and out the front (nose) of the airbrush. (with the nozzle resting on the tip of the needle & Removed from the airbrush itself)

4. Insert New Needle Through The Tail End Of The Airbrush (Carefully)

Carefully slide the needle tip into the tale end of the airbrush (at the needle locking chuck) and through the internal cavity of the airbrush until the tip of the needle exits the nozzle at the nose

of the airbrush. Important: If you feel any sudden resistance then stop and reassess the needle passage way (otherwise you could bend the new needle). Otherwise you could damage the needle.

#### 5. Install New Nozzle (Carefully)

(1)Begin by inspecting the nozzle and needle for any damage or imperfections. As well, ensure the nozzle has the necessary O-ring.

(2)place the airbrush nozzle through the needle.

(3)Re-installing the Nozzle & Needle cap

(4)Tighten up the needle locking chuck and begin reassembling the airbrush. (careful not much to over tighten)



#### 6. Finish Re-Assembling The Rest Of The Airbrush

Test the airbrush using distilled water to ensure it is operating properly.

## H . INSPECTION AND MAINTENANCE

### Airbrush

Note: These procedures are in addition to the regular checks and maintenance required to operate the compressor and other air-operated tools.

1. **BEFORE EYERY USE**, inspect the general condition of the tool. Check for:

- bent needles,
- loose screws,
- misalignment or bending of moving parts,
- clogged nozzle,
- cracked or broken parts,
- any other condition that may affect its safe operation.

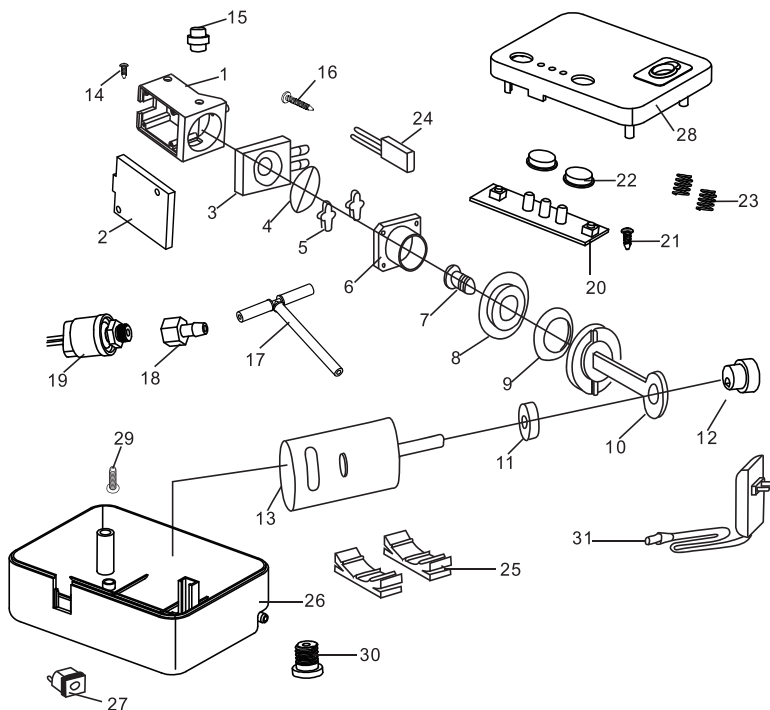
2. **AFTRE EVERY USE**, clean the airbrush, according to following instructions.

## I . TROUBLESHOOTING



Problem	Possible Casuses	Likely Solutions
Poor Paint Atomization	<ol style="list-style-type: none"> <li>1. Low paint level.</li> <li>2. Paint not properly thinned.</li> <li>3. Clogged nozzle.</li> <li>4. Loose/damaged needle.</li> </ol>	<ol style="list-style-type: none"> <li>1. Refill the airbrush with paint.</li> <li>2. Thin paint.</li> <li>3. Clean nozzle.</li> <li>4. Adjust or replace the needle.</li> </ol>
Will Not Spray	No pressure at the airbrush.	Check the air hoses.
Overspray (Paint Spraying Further Than Intended)	<ol style="list-style-type: none"> <li>1. Improper application speed.</li> <li>2. Improper distance from workpiece.</li> </ol>	<ol style="list-style-type: none"> <li>1. Move moderately and parallel to the subject.</li> <li>2. Adjust the distance from the intended object.</li> </ol>
Nozzle Leakage	<ol style="list-style-type: none"> <li>1. Dirty nozzle.</li> <li>2. Worn or damaged nozzle.</li> </ol>	<ol style="list-style-type: none"> <li>1. Clean the nozzle.</li> <li>2. Replace the nozzle and/or needle.</li> </ol>
Air Leaking from Nozzle	<ol style="list-style-type: none"> <li>1. Dirty air valve/seat.</li> <li>2. Sticky air valve.</li> <li>3. Damaged air valve spring.</li> <li>4. Worn/damaged air valve/seat.</li> </ol>	<ol style="list-style-type: none"> <li>1. Clean the air valve/seat.</li> <li>2. Lubricate the air valve/seat.</li> <li>3. Replace the air valve spring.</li> <li>4. Replace the air valve.</li> </ol>
<p><b>Follow all safety precautions whenever diagnosing or servicing the tool.</b>  <b>Disconnect the air supply before servicing the tool.</b></p>		

## Spare part list



TC-101A	DESCRIPTION	PARTS NO.	QTY	INDEX NO.	DESCRIPTION	PARTS NO.	QTY
1	MOTORHOUSING	TC-101A-01	1	17	3WAY SYSTEM	TC-101A-17	1
2	MOTORCOVER	TC-101A-02	1	18	ADAPTER	TC-101A-18	1
3	CYLINDERHEAD	TC-101A-03	1	19	POWER SWITCH	TC-101A-19	1
4	O-RING	TC-101A-04	1	20	PCB	TC-101A-20	1
5	VALVE PLATE	TC-101A-05	2	21	SCREW	TC-101A-21	4
6	CYLINDER	TC-101A-06	1	22	BUTTON	TC-101A-22	2
7	SCREW	TC-101A-07	1	23	SPRING	TC-101A-23	2
8	PISTON PLATE	TC-101A-08	1	24	THERMALLY PROTECTED	TC-101A-24	1
9	PISTONRING	TC-101A-09	1	25	WASHER	TC-101A-25	2
10	PISTON ROD	TC-101A-10	1	26	UNDER COVER	TC-101A-26	1
11	BEARING	TC-101A-11	1	27	DC PLUG	TC-101A-27	1
12	CRANKSHAFT	TC-101A-12	1	28	TOP COVER	TC-101A-28	1
13	MOTOR	TC-101A-13	1	29	SCREW	TC-101A-29	5
14	SCREW	TC-101A-14	2	30	RUBBER STAND	TC-101A-30	4
15	WASHER	TC-101A-15	4	31	ADAPTER	TC-101A-31	1
16	SCREW	TC-101A-16	4				

Manufacture: Wenzhou Hanfong Machinery CO.,Ltd

Address: Block 6, No.28, Binhai 2nd Road, Konggang New District, Longwan, Wenzhou City, Zhejiang Province 325024, China

Importer: WAITCHX

Address: 250 bis boulevard Saint-Germain 75007 Paris

Importer: FREE MOOD LTD

Address: 2 Holywell Lane, London, England, EC2A 3ET



Acumen IBC Ltd  
Ground Floor, 94 Ock Street,  
Abingdon, OX14 5DH



EUREP GmbH  
Unterlettenweg 1a, 85051  
Ingolstadt, Germany



**VEVOR<sup>®</sup>**

E-mail: [CustomerService@vevor.com](mailto:CustomerService@vevor.com)