

VEVOR[®]

TOUGH TOOLS, HALF PRICE

RETRACTABLE HOSE REEL USER MANUAL

We continue to be committed to provide you tools with competitive price. "Save Half", "Half Price" or any other similar expressions used by us only represents an estimate of savings you might benefit from buying certain tools with us compared to the major top brands and does not necessarily mean to cover all categories of tools offered by us. You are kindly reminded to verify carefully when you are placing an order with us if you are actually saving half in comparison with the top major brands.

VEVOR[®]

Retractable Hose Reel
20m/ 25m/30m/ 35m/40m

For US user: 65ft(20m)/84ft(25m)/100ft(30m)/115ft(35m)/130ft(40m)
For European User: 20m/25m/35m



NEED HELP? CONTACT US!

Have product questions? Need technical support? Please feel free to contact us:

✉ CustomerService@vevor.com

This is the original instruction, please read all manual instructions carefully before operating. VEVOR reserves a clear interpretation of our user manual. The appearance of the product shall be subject to the product you received. Please forgive us that we won't inform you again if there are any technology or software updates on our product.

Introduction

• For your information, please read these installation instructions before using your Retractable Hose Reel. Please keep all instructions and refer to them when necessary.

⚠ Do not leave the tap on—turn tap off after use and release excess pressure before retracting back into housing.

Overview

- a. Mounting Tube
- c. Wall Plugs
- e. Garden Hose
- g. Multi-Function Spray Gun
- i. Hose Connectors
- k. Stopper
- l. Inspection opening
- b. Hexagonal Coach Bolts
- d. 180° Wall Bracket
- f. Tap-to-Reel Hose
- h. Housing
- j. Universal Tap Adaptor (copper joint for US)



Spare part



Wall plugs + Hexagonal Coach bolts+ securing pin+ seal ring



9 function spray gun



Mounting Tube



metal bracket



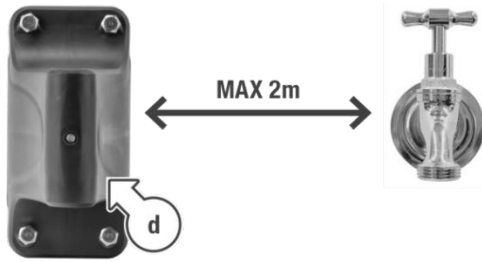
plastic bracket

! Do not dismantle the Hose Reel for additional spare parts. Other internal metal parts can cause injury if tampered with. These parts are not available for replacement.

Installation

Your Retractable Hose Reel should be installed nearest to your chosen water source for convenience of use.

1. Check the TAP-TO-REEL HOSE can reach your tap prior to installing the WALL BRACKET.



2. Take the WALL BRACKET and place it against either a wall or wooden post.

3. Mark inside the centre of each of the bracket holes to prepare for drilling.

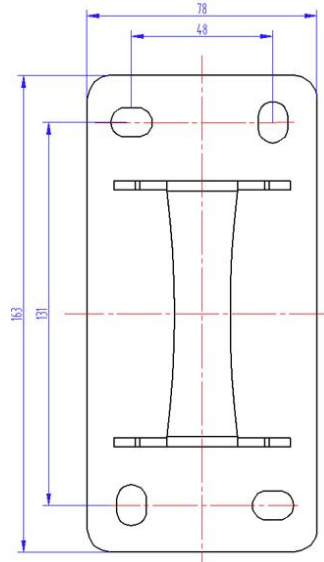
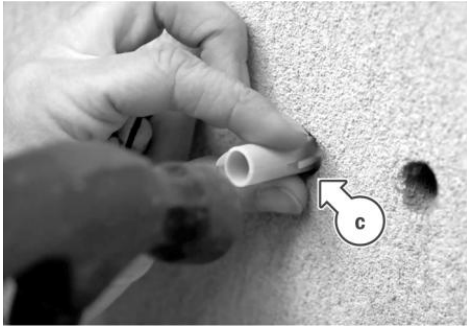
i If you are attaching your Hose Reel to a wooden post, you will not require the WALL PLUGS as the COACH BOLTS can screw directly into wood.

4. Use the table below to select the correct drill bit for your Hose Reel.

i If using plugs that were not included with your Hose Reel, drill slightly undersize as masonry materials all have different properties which will ensure the wall plugs have a secure fit.

It is very important to use the correct size drill bit, so a very secure fit of the wall bracket is made before installing the Retractable Hose Reel.

5. When ready, drill all four holes, then hammer the WALL PLUGS gently into your wall (if attaching to a wall).



Hole for metal Wall Bracket

PLUG



Ø11.7mm

MASONRY DRILL



Ø11.5mm

WOOD DRILL



Ø7.0mm

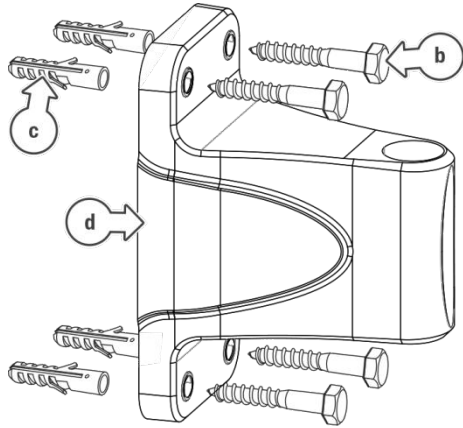
BOLT



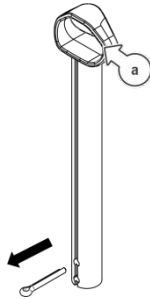
Ø8.0mm

6. Place the WALL BRACKET in position over the four WALL PLUGS and screw each HEXAGONAL COACH BOLT into your wall or wooden post.

7. Screw in each HEXAGONAL COACH BOLT until all four have a secure hold on the bracket against the surface.

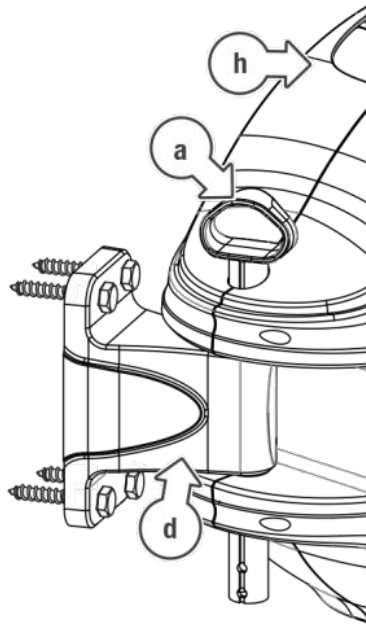


8. Take your Retractable Hose Reel, and remove the securing pin at the base of the MOUNTING TUBE.



9. Remove the MOUNTING TUBE from the Hose Reel and slot it over the WALL BRACKET. Align the holes in the HOUSING with the holes in the WALL BRACKET

10. Insert the MOUNTING TUBE back into the holes on the WALL BRACKET and HOUSING. Then replace the securing pin in the base of the MOUNTING TUBE.



11. Connect your TAP-TO-REEL HOSE to your garden tap.



Product parameter

Retractable Hose Reel				
Model	HL-XW30	HL-XW40	HL-XW30	HL-XW30

SKU	07840001	07840002	07840003	07840004
Hose Length	65ft	84ft	100ft	115ft
Hose Outside Diameter	φ18.5mm	φ18.5mm	φ15mm	φ15mm
Reel Hose Length	2m	2m	2m	2m
Tap to Reel Hose	3/4" copper joint	3/4" copper joint	3/4" copper joint	3/4" copper joint
Material of Wall Bracket	Plastic	Metal	Metal	Metal
Max Working Pressure	150psi	150psi	150psi	150psi
Rotation Angle	180°	180°	180°	180°
Multi Function Gun	9 Functions	9 Functions	9 Functions	9 Functions
Package Size	515×300×455mm	565×300×495mm	515×300×455mm	515×300×455mm
G.W	11.0kg	14.7kg	12.7kg	14.0kg
Guarantee	2 Year	2 Year	2 Year	2 Year

Retractable Hose Reel				
Model	HL-XW40	HL-XW20	HL-XW20	HL-XW30
SKU	07840005	07840006	07840007	07840008
Hose Length	130ft	20m	25m	35m
Hose Outside Diameter	φ15mm	φ15mm	φ15mm	φ15mm
Reel Hose Length	2m	2m	2m	2m
Tap to Reel Hose	3/4" copper joint	3/4"-1" Quick Coupling	3/4"-1" Quick Coupling	3/4"-1" Quick Coupling

Material of Wall Bracket	Metal	Plastic	Plastic	Plastic
Max Working Pressure	150psi	150psi	150psi	150psi
Rotation Angle	180°	180°	180°	180°
Multi Function Gun	9 Functions	9 Functions	9 Functions	9 Functions
Package Size	565×300×495mm	470×260×410mm	470×260×410mm	515×300×455mm
G.W	15.8kg	8.3kg	9.4kg	13.4kg
Guarantee	2 Year	2 Year	2 Year	2 Year

Care and Troubleshooting

How far can I pull out the GARDEN HOSE?

You will find an indication sticker 1 meter before the maximum length.

⚠ Do not pull the hose past this point.



How do I properly retract the GARDEN HOSE?

When walking the GARDEN HOSE back to the HOUSING, turn off the tap, press the lever on the watering gun to release the water pressure in the hose. This makes the retraction of the GARDEN HOSE a lot easier and prolongs the life of your Hose Reel.







Why is my fully extended GARDEN HOSE not retracting?

If the GARDEN HOSE retraction wheel is stuck and the GARDEN HOSE is fully extended, the wheel still has moved past this point. Grip the GARDEN HOSE close to the guide hole and gently pull.

The retraction wheel will give you enough movement to unlock itself before you slowly allow the auto retraction wheel to wind the GARDEN HOSE back into the unit.

WARNINGS

-  Do not leave the water turned on with the hose under pressure when not in use.
-  Always turn the water off and draw the water from the hose after use.
-  Do not attempt to pull the hose reel apart.
-  Do not pull the GARDEN HOSE to start retraction and let go of the hose. Always guide the GARDEN HOSE back to the housing.

EC Importer: WAITCHX

Address: 250 bis boulevard Saint-Germain 75007 Paris

UK Importer: FREE MOOD LTD

Address: 2 Holywell Lane, London, England, EC2A 3ET

Manufacturer: Yongkang Haili Industrial Co.,Ltd

Address: No.78 Yuegui South Road, Chengxi Area 321300 Yongkang City, Zhejiang Province PEOPLE'S REPUBLIC OF CHINA

Made In China

VEVOR[®]

E-mail: CustomerService@vevor.com