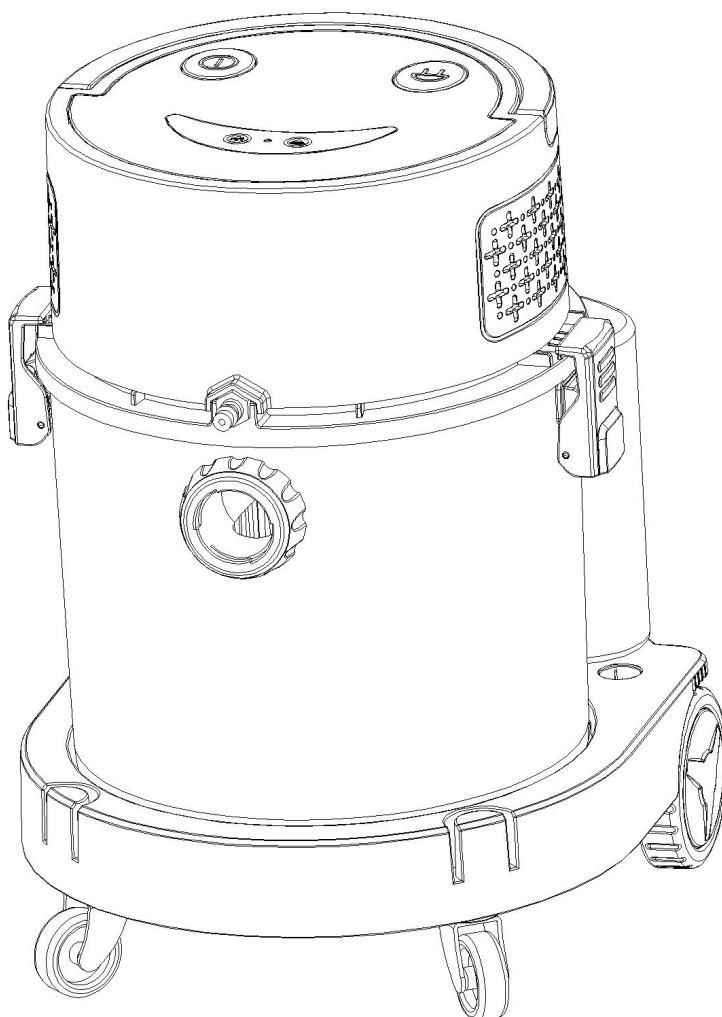


Wet/Dry Vacuums
Operator's Manual



Model No. RLJP208 Series

Zhejiang Roly Technology Co., Ltd.

No.366 Huaxia Road, Economic Development Zone, Yongkang, Zhejiang

321300, P. R. China

FOR YOUR SAFETY

Read and understand this manual before use
Keep this manual for future reference



IPX4

SAFETY INSTRUCTIONS & WARNINGS

IMPORTANT SAFETY INSTRUCTIONS

- For your safety: carefully read and understand all instructions, this appliance complies with mandatory safety regulations for electrical equipment. However, improper use will harm personal and property, please read these instructions carefully, and then open the electrical.
- When using electrical appliances, you must follow basic precautions.
- Do not allow other uses and unattended operation.
- Check that the electrical voltage is correct before use.
- Do not use the air outlet directly against people or animals when using this product.
- The manufacturer can not be liable for damages due to improper use or improper operation.
- Do not inhale flammable, toxic liquids, such as gasoline, oil, acids or other volatile substances, to avoid dangerous hazards.
- Only relevant professionals can repair electrical equipment. Improper repairs may result in considerable risk.
- Do not store the appliance directly at high temperatures such as hot stoves or heat sinks.
- Do not use a cleaning agent or detergent containing solvent.
- This device does not apply to children or those who lack experience with the use of relevant products unless they have been supervised or instructed to use the equipment to be responsible for their safety. Children should be supervised to ensure that they do not play the device.
- Turn off the appliance when cleaning or removing it. Before cleaning or servicing the appliance, remove the plug from the socket and pull the plug out of the socket.
- Unauthorized parts or third party accessories may be dangerous to make the warranty invalid.
- Always check whether the float is normal.
- If you notice that the liquid leaks from your equipment, immediately turn it off and unplug the plug.
- Do not use the appliance in a damp room.
- Children should be supervised to ensure that they do not play the equipment, only the equipment stored in children can not access, safe and dry place to store.
- Do not inhale hot dust ashes or sharp objects.
- Do not touch the spectator directly when blowing. When the time to blow the children away. Wear safety goggles.
- Do not reverse the vacuum cleaner, causing damage to the motor
- The hose can not be overly bent and forced to elongate, otherwise the hose will be deformed or damaged.
- Do not allow the lid part to penetrate into the water or rinse with water to prevent water from entering the electronic parts. Leakage, proper operation: gently wipe the surface with a rag.

IMPORTANT SAFETY INSTRUCTIONS

This appliance can be used by children aged from 8 years and above and persons with reduced physical, sensory or mental capabilities or lack of experience and knowledge if they have been given supervision or instruction concerning use of the appliance in a safe way and understand the hazards involved. Children shall not play with the appliance. Cleaning and user maintenance shall not be made by children without supervision

If the supply cord is damaged, it must be replaced by the manufacturer or its service agent or a similarly qualified person in order to avoid a hazard.



Correct Disposal of this product This marking indicates that this product should not be disposed with other household wastes throughout the EU. To prevent possible harm to the environment or human health from uncontrolled waste disposal, recycle it responsibly to promote the sustainable reuse of material resources. To return your used device, please use the return and collection systems or contact the retailer where the product was purchased. They can take this product for environmental safe recycling.

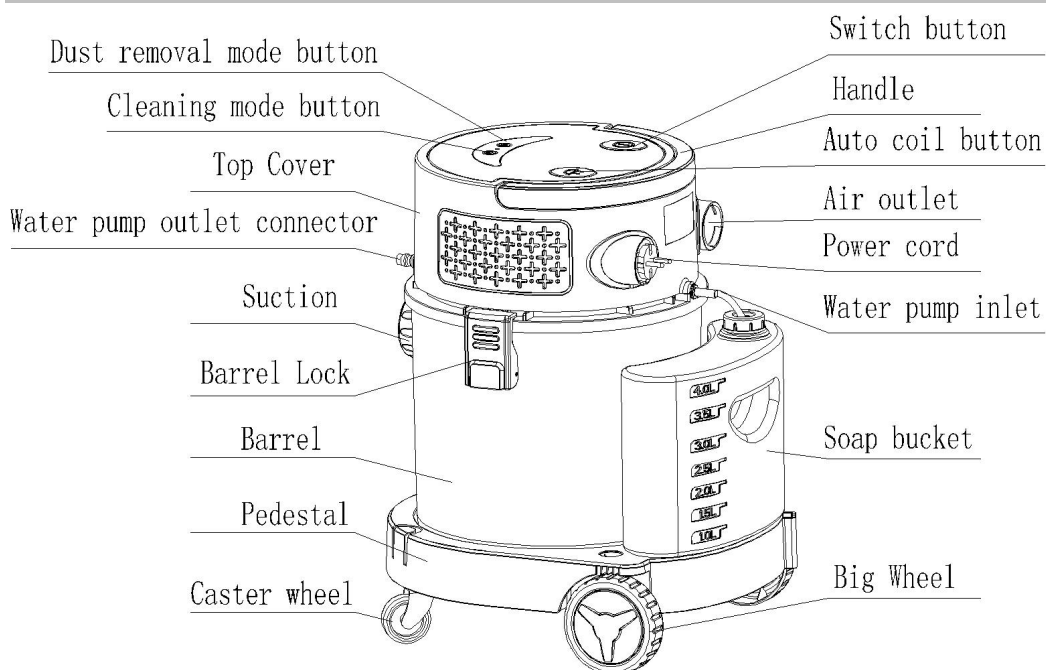
Technical data

RLJP208-D****-20PS(****=1000,1200,1400)

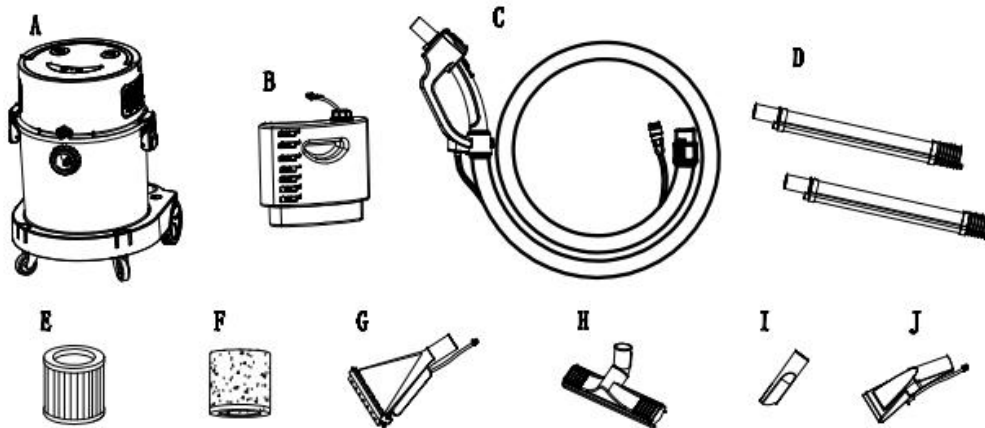
220-240V~, 50/60Hz, Class II, IPX4

****=1000:1000W, ****=1200:1200W, ****=1400:1400W

Product Parts Name



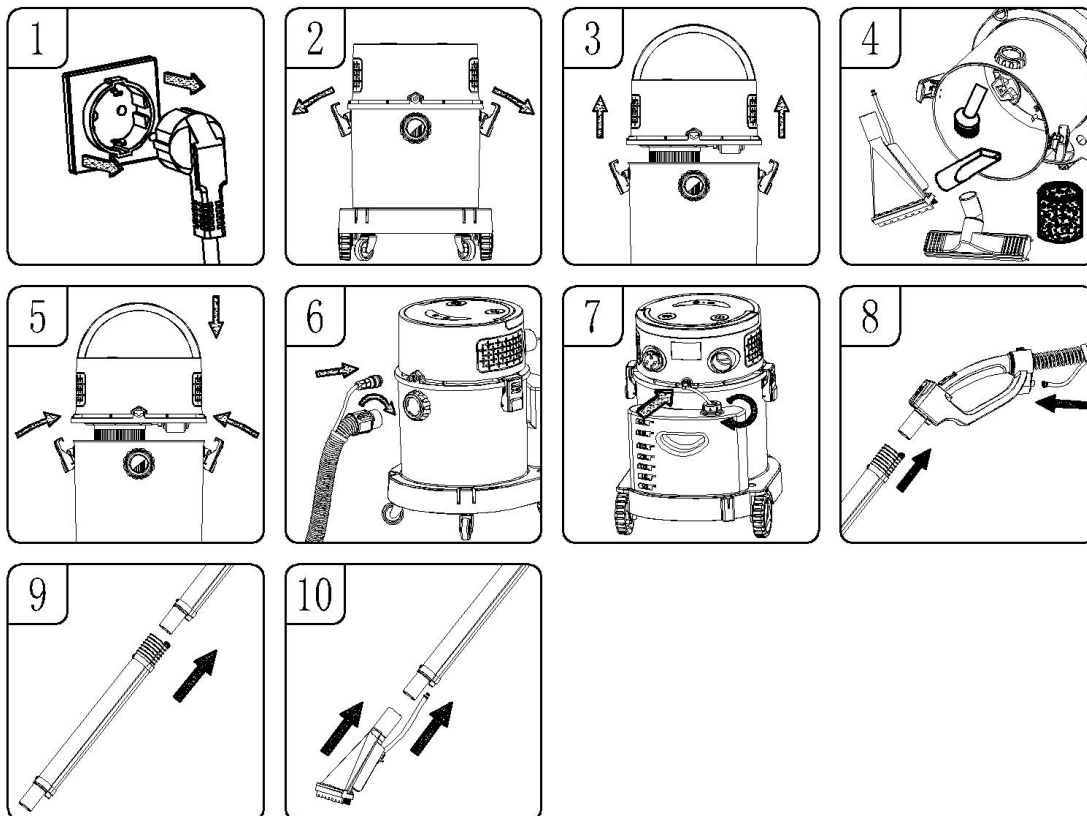
Standard accessories including



According to different occasions to choose suitable accessories:

- A Vacuum cleaner assembly B Soap bucket and connecting pipe C Remote handle hose assembly
 D Aluminum extension tube E HEPA F Water absorbing sponge
 G Water spray carpet brush H Wet Dry Floor nozzle I Crevice Nozzle J Spray sofa brush

Installation

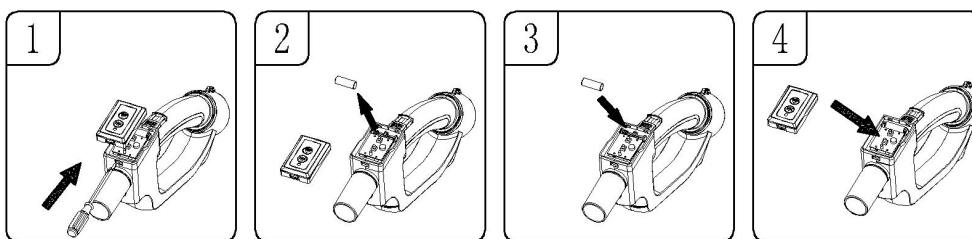


Caution: Make sure that the power cord plug and socket are de-energized when assembling the vacuum cleaner Open the vacuum cleaner you purchased

1. Make sure the power cord is disconnected from the socket (Fig1)
2. Loose Clips (Fig2)
3. Raise the nose assembly from the dust pan. (Fig 3)
4. Take out all accessories from the dust container. (Fig 4)
5. Place the nose assembly on the dust barrel that already has a filter assembly and lock it with both sides of the clips. (Fig 5)
6. Align the hose assembly port with the suction port and insert it into right and tighten it.(Fig 6)
7. Tighten the lid of the soap bucket to the right while inserting the water inlet joint at the water pump inlet on the head (Fig7)
8. Insert the water spray aluminum tube connect into the handle and insert the water inlet pipe into the water inlet of the handle (Fig 8)
9. Connect two aluminum tubes as picture shows(Fig9)
10. Connect the brush you needed with water spray aluminum tube, if use the water spray carpet brush should insert the water outlet pipe into the joint of aluminum tubes(Fig10)

Install/replace battery into the remote handle

****For First time using, Pls make sure the battery is installed properly then do pairing.**



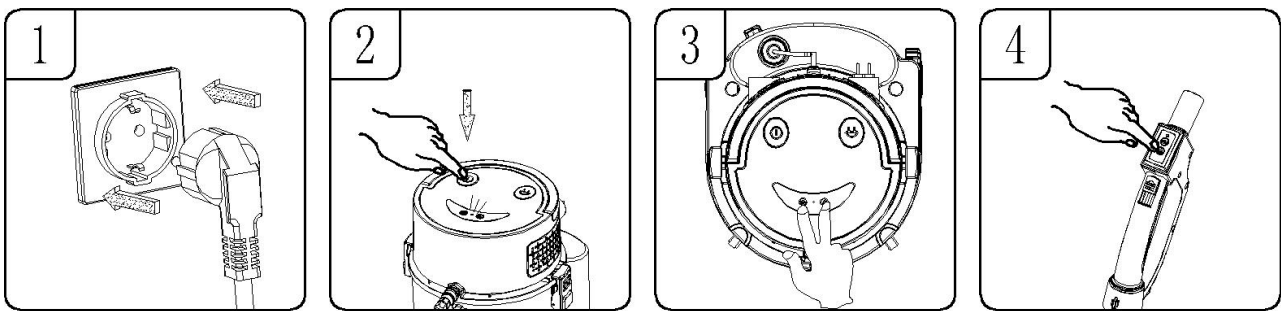
1. The battery cover can be opened by pressing the fixed in the front of the battery box with a screw driver.(Fig 1)
2. Take out the battery from the manual packing bag (If you need to replace the battery, take out the old battery from the battery box). (Fig 2)
3. Install or Replace with a new 23A 12V alkaline battery, pay attention to the anode and cathode of the battery when installing (Fig 3)
4. Insert the protruding fixed buckle at the back of the battery cover into the corresponding

slot on the battery box, and press the front end of the battery cover can stick it into the battery case (Fig4)

WARNING:

- 1. The remote control handle is only applicable to 23A 12V alkaline battery. Do not use batteries of other specifications to avoid damaging the remote control handle**
- 2. When do installing and replacing the battery, pay attention to unplug the main supply.**

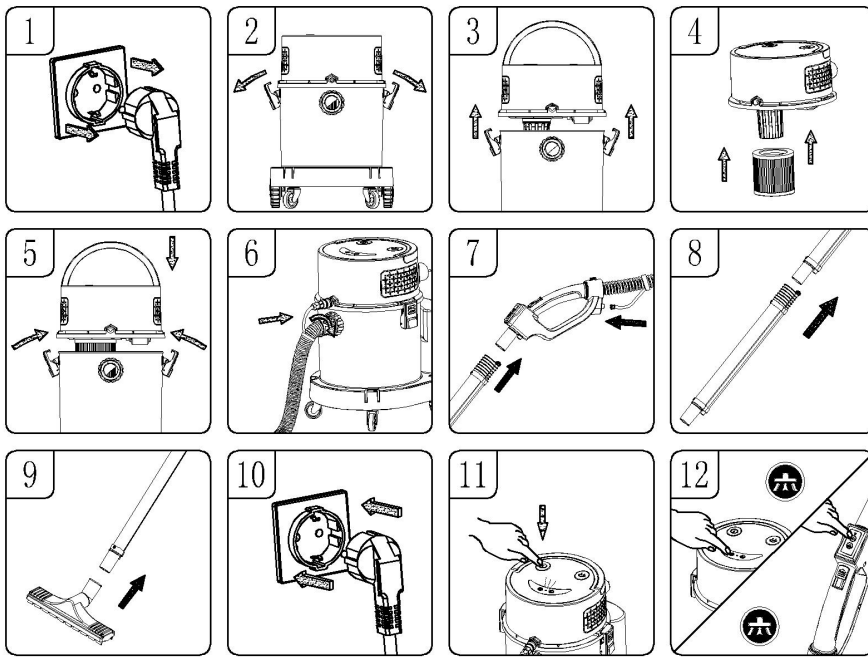
Remote control pairing setting



1. Making sure the plugged into power supply. (Fig1)
2. press the switch and the indicator light on the panel is always on. (Fig2)
3. At the same time press the suction mode and cleaning mode button on the head panel, the indicator lights out (Fig3)
4. Press one of the buttons on the remote control handle cleaning mode or vacuum mode, the indicator light on the head panel flashes once to return to normal light, and the remote control pairing setting is complete.(Fig4)

**Note: Before using,pls make remote control pairing setting in Advance,thanks!
when the remote control handle is found to be invalid need to carry on the remote control pairing setting again.**

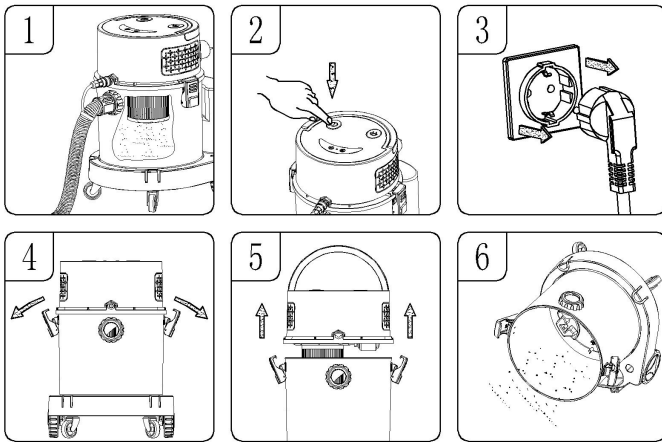
Operation of vacuuming dusts



1. Make sure the power cord is disconnected from the socket (Fig1)
2. Loose Clips. (Fig 2)
3. Raise the Head assembly from the dust tank. (Fig 3)
4. Install Cartridge filter, press cartridge filter tightly on the bottom cap basket.(Fig 4)
5. Place the nose assembly on a dust bucket, and lock it with both sides of the buckle.(Fig5)
6. Align the hose assembly port with the suction port and insert it into right and tighten it. (Fig 6)
7. Insert the inlet joint of water spray aluminum tube connect into the remote control handle and insert the inlet joint of hose into the water inlet connector of the remote control handle (Fig 7).
- 8.As required ,could choose the two connected water spray aluminum tube to increase the operating radius (Fig 8)
- 9.Connect the brush you needed with water spray aluminum tube (Fig 9)
- 10.Insert the power cord. (Fig 10)
11. Press the power switch and the indicator light on the panel lights up (Fig 11)
- 12.Press the vacuum mode button on the head panel or remote control handle ,then machine will start to work .suction mode is divided into high and low levels,when running in high mode, press the vacuuming mode button switching to low mode,press the button again and the vacuum cleaner stop working(Fig 12)

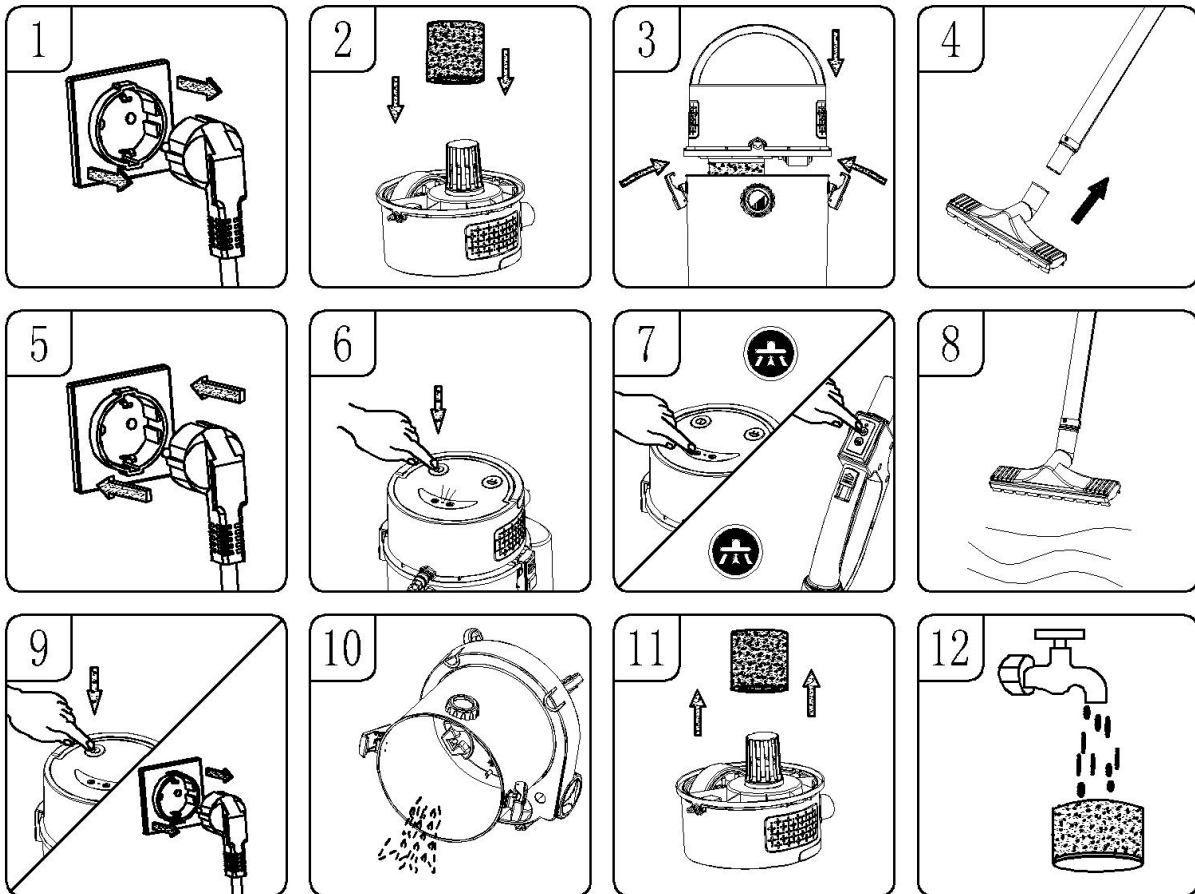
WARNING: BE SURE TO READ, UNDERSTAND, AND APPLY INFORMATION, ENTITLED ‘SAFETY INSTRUCTIONS & WARNINGS’. DO NOT VACUUM IN AREAS WITH FLAMMABLE GASES, VAPORS, OR EXPLOSIVE DUSTS IN THE AIR. FLAMMABLE GASES OR VAPORS INCLUDE BUT ARE NOT LIMITED TO; LIGHTER FLUID, SOLVENT TYPE CLEANERS, OIL-BASE PAINTS, GASOLINE, ALCOHOL OR AEROSOL SPRAYS. EXPLOSIVE DUSTS INCLUDE BUT ARE NOT LIMITED TO;COAL, MAGNESIUM, GRAIN OR GUN POWDER. TO REDUCE THE RISK OF HEALTH HAZARDS FROM VAPORS OR DUST, DO NOT VACUUM TOXIC MATERIALS.

Operation when dusts tank is full



1. The dust inside the dust bucket is full. (Fig 1)
2. Press the power switch and the indicator light goes off (Fig 2)
3. Unplug the power cord. (Fig3)
4. Release the buckle. (Fig 4)
5. Raise the nose assembly from the dust container. (Fig 5)
6. Pour out the garbage in the dust bucket. (Fig 6)

Operation of water cleaning

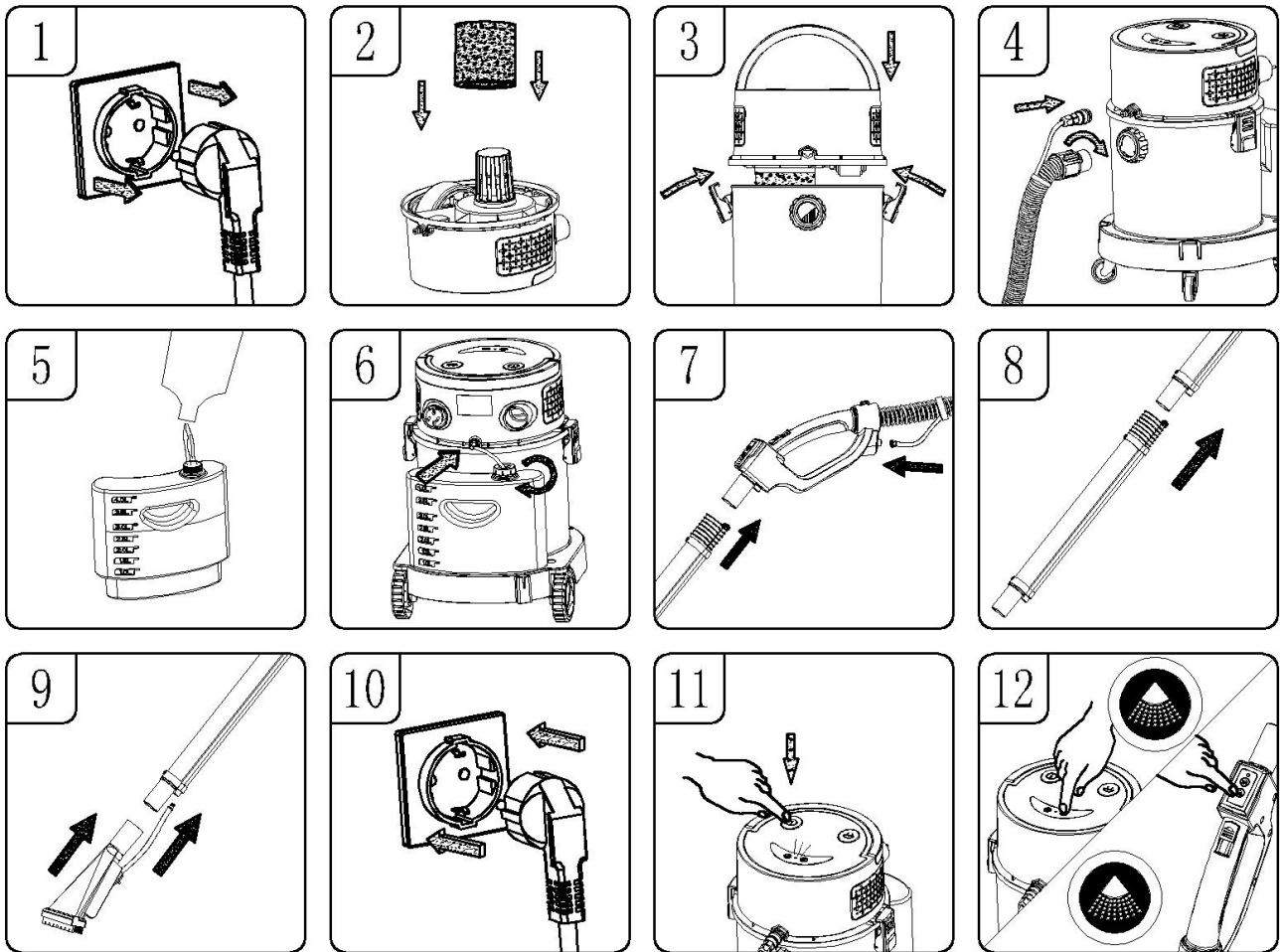


1. Make sure the power cord is disconnected from the power supply. (Fig1)
2. Cover the bottom cap basket with watering absorbing sponge, make sure cover the whole basket. (Fig2)
3. Place the Head assembly on the dust barrel, and lock it with both sides of the clips. (Fig 3)
4. Install the required suction accessories on the hose assembly. (Fig 4)
5. Insert the power cord. (Fig 5)
6. Press the power switch and the indicator light on the panel lights up (Fig 5)
7. Press the vacuum mode button on the head panel or remote control handle, then machine will start to work. suction mode is divided into high and low levels, when running in high mode, press the vacuuming mode button switching to low mode, press the button again and the vacuum cleaner stop working (Fig 6-7)
8. When the water is absorbed to the maximum capacity, the safety valve operates, the suction port has no suction. (Fig 8)
9. Turn off the power, disconnect the power cord from the socket. (Fig 9)
10. Pouring water. (Fig 10).
11. To ensure the best results of water absorption, please remove the air filter sponge, hand-wring dry after drainage. (Fig 10)
12. Wash the sewage sponge with cleaning water, hand-wring dry after washing, then be used again. (Fig 12)

WARNING:

BE SURE TO READ, UNDERSTAND, AND APPLY INFORMATION, ENTITLED 'SAFETY INSTRUCTIONS & WARNINGS'. DO NOT VACUUM IN AREAS WITH FLAMMABLE GASES, VAPORS, OR EXPLOSIVE DUSTS IN THE AIR. FLAMMABLE GASES OR VAPORS INCLUDE BUT ARE NOT LIMITED TO; LIGHTER FLUID, SOLVENT TYPE CLEANERS, OIL-BASE PAINTS, GASOLINE, ALCOHOL OR AEROSOL SPRAYS. EXPLOSIVE DUSTS INCLUDE BUT ARE NOT LIMITED TO; COAL, MAGNESIUM, GRAIN OR GUN POWDER. TO REDUCE THE RISK OF HEALTH HAZARDS FROM VAPORS OR DUST, DO NOT VACUUM TOXIC MATERIALS.

Operation of Carpet cleaning



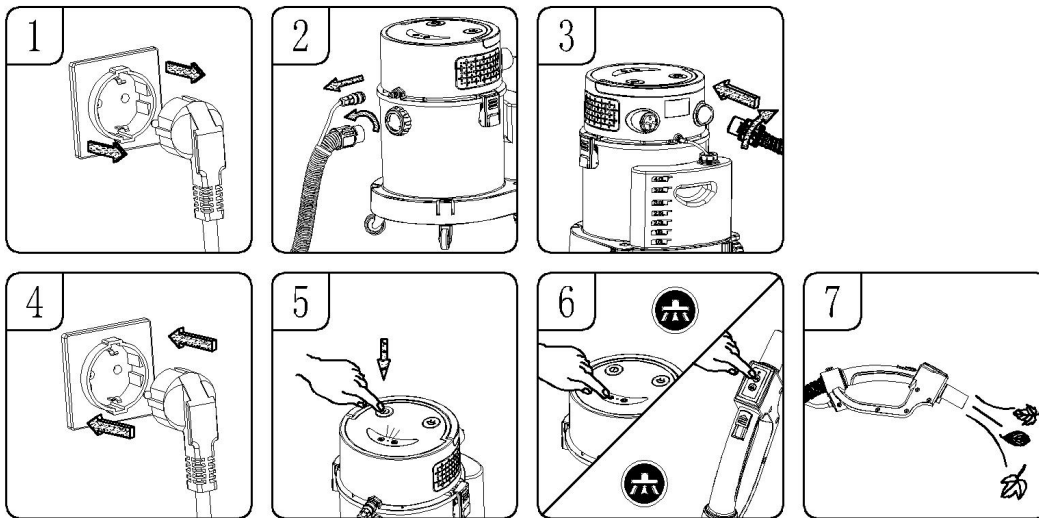
1. Make sure the power cord is disconnected from the power supply (Fig1)
2. Cover the bottom cap basket with watering absorbing sponge, make sure cover the whole basket. (Fig2)
3. Place the Head assembly on the dust barrel, and lock it with both sides of the clips. (Fig 3)
4. Align the hose assembly port with the suction port and insert it into right and tighten it. (Fig 4)
5. Remove the Soap bucket from the pedestal, then unscrew the lid to the left, and fill it with a clean mixture mixed in an appropriate proportion (Fig 5)
6. Insert one end of pipe (with elbow) into the inlet joint on the head; Place the other end of

- inlet pipe with the filter into the Soap bucket, then tighten the lid to the right(Fig 6)
7. Insert the water spray aluminum tube connect into the remote control handle and insert the water inlet pipe into the water inlet connector of the remote control handle (Fig 7).
 8. As required ,could choose the two connected water spray aluminum tube to increase the operating radius (Fig 8)
 9. Connect the Water spray carpet brush with water spray aluminum tube, insert the the water inlet pipe of Water spray carpet brush into the water inlet connector of the water spray aluminum tube (Fig 9)
 10. Insert the power cord. (Fig 10)
 11. Press the power switch and the indicator light on the panel lights up. (Fig 11)
 12. Press the clean mode button on the head or remote control handle , sprinkler head on the Water spray carpet brush starts to spray Water. If the vacuuming mode button is pressed again, the machine will spray Water and absorb the dirty Water after cleaning at the same time; After use, press the main power button to shut down, then unplug the power plug, empty the sewage in the bucket and clean the bucket for backup(Fig 12)

WARNING:

- 1. When cleaning carpet, please use low foam cleaner and add appropriate anti-foaming agent mix evenly, otherwise the air outlet will have the possibility of foam eject!**
- 2. It is recommended that users immediately empty the sewage in the vacuum cleaner dust tank after using 2 buckets of cleaning fluid each time to prevent the liquid in the dust bucket from being too high and causing the possibility of foam spraying out from the air outlet.**
- 3. In the cleaning mode, when there is no cleaning fluid in the Soap bucket, please add it in time. Do not idle the water pump to prevent damage to the water pump.**
- 4. When the dust bucket is full or the safety valve is blocked, the sound of the motor will obviously become louder. At this time, the dust bucket should be shut down and emptied immediately**

Operation of blower



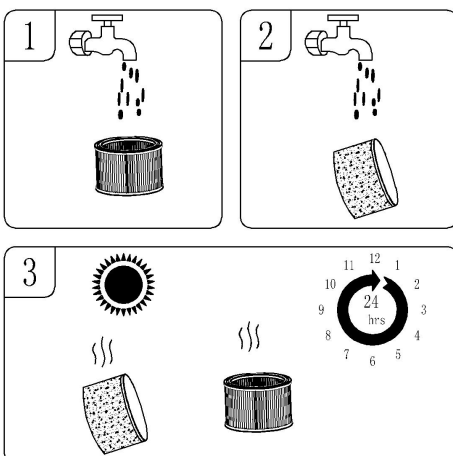
WARNING: ALWAYS WEAR SAFETY GOGGLES BEFORE USING BLOWER.

WARNING: KEEP BY STANDERS CLEAR FROM BLOWING DEBRIS.

WARNING: WEAR A DUST MASK IF BLOWING CREATES DUST THAT MIGHT BE INHALED.

1. Make sure the power cord is disconnected from the power supply(Fig 1)
2. Unscrew the inserted hose assembly from the suction port with a left-hand rotation. (Fig 2)
3. Insert the main cannula of the hose assembly into the air outlet at the back of the head and tighten it with the right hand rotation. (Fig 3)
4. Insert the power cord. (Fig 4)
5. Start the switch button. (Fig 5)
6. Hold the hose assembly, let outlet port aimed at the leaves and so on. (Fig 6)

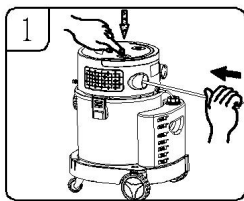
Filter cleaning



1. Periodically check the cleaning filter to maintain performance.
2. If the suction very tiny dust, the filter may need more frequent cleaning.
3. Wash filter sponge with cold or warm water without the use of detergent. (Fig 1 Fig 2)
4. Keep the cleaned parts in a wide area to dry, try to keep dry and dry for at least 24 hours.

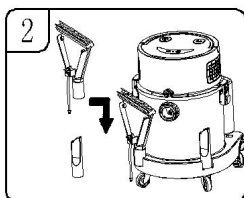
Do not put the filter in a dishwasher, washing machine, roller dryer, oven, microwave oven or open flame. (Fig3)

Operation of Accessories



1..... Enclose the power cord

- Hold the plug and press the auto coil button to wind the power cord.
- If you cannot fully get involved at once, pull out the 3-5cm wire and press the Auto Reel button.



2..... Storage Crevice Nozzle and Multi Brush

- Insert the Crevice Nozzle into the wheel seat.
- Insert the Water spray carpet brush into the wheel seat.

Maintenance

- ① After cleaning the barrels, filters and related accessories, check if leaks. After each use, clean the filter and do not use a wet filter at all times.
- ② Check the plug if damage, place the plug.
- ③ Check whether there is something plug the air intake, if any, please clean.
- ④ carefully put the machine, do not beat.
- ⑤ keep the machine dry.
- ⑥ if filter covered with dust, wash with cold water, if necessary, may also use neutral detergent cleaning, Do not use corrosive objects to clean. Do not put entire head directly in the water cleaning.
- ⑦ Do not let the machine work for a long time, each working time is best in 2 hours, otherwise will reduce the machine life.
- ⑧ after a long time the filter will be covered the dust, suction will be weakened. To avoid the weakening of suction, always clean the filter.
- ⑨ if any abnormal vibration or noise or smell, Must immediately stop using the machine, and maintenance.

TROUBLESHOOTING

WARNING! TO REDUCE THE RISK OF ELECTRIC SHOCK-UNPLUG BEFORE TROUBLESHOOTING

Symptom	Possible Causes	Corrective Action
Vacuum will not operate	1) No power supply.	1) Check power supply –cord, breakers, fuses.
	2) Faulty power cord.	2) Unplug and check the power cord. If damaged, have it repaired by a professional.
	3) Container full.	3) Empty container.
Dust comes out from motor cover.	1) No filter is installed, the filter is not installed in place or the filter is damaged	1) Re-install and check whether the filter is installed in place. Replace the new filter if any damage is found.
Reduced efficiency and motor/speed vibration.	1) There is a blockage in the nozzle or hose, or the container inlet. Or dust filter blocked by fine dust.	1) Check nozzle, hose and container inlets for blockage. Take off the filter and clean it. Or install new cartridge filter.
Does not spray cleaning fluid	1. Cleaning mode is not selected 2. Use up the cleaning fluid in the soap bucket 3. The pipe line is not properly installed	1. Press the light mode button on the panel or remote control handle 2. Reinsertion the cleaning fluid 3. Check whether the water pipe connection is in place correctly and pay attention to check whether the water pipe is knotted.
foam coming out of the machine head unit outlet	High bubble cleaning fluid was used	Replace the low-bubble cleaning solution and add defoaming agent according to the ratio.
Remote control handle failure	1. The battery in the remote control handle runs out. 2. Connection between remote control handle and vacuum cleaner is abnormal	1. Replace the battery in the remote control handle 2. Read the remote learning operation as stated in manual.