

VEVOR[®]

**Truck Bed Storage Tool Box
For 2015-2020 Ford F150
USER MANUAL**

VEVOR®

Truck Bed Storage Tool Box

INSTALLATION INSTRUCTION

ZP20220406S01
ZP20220406S02



NOTE: Actual product may vary due to product enhancement. The specifications of each item are listed on the last page.

NEED HELP? CONTACT US!

Have product questions? Need technical support? Please feel free to contact us:

✉ CustomerService@vevor.com

This is the original instruction, please read all manual instructions carefully before operating. VEVOR reserves clear interpretation of our user manual. The appearance of the product shall be subject to the product you received. Please forgive us that we won't inform you again if there is any technology or software updates on our product.

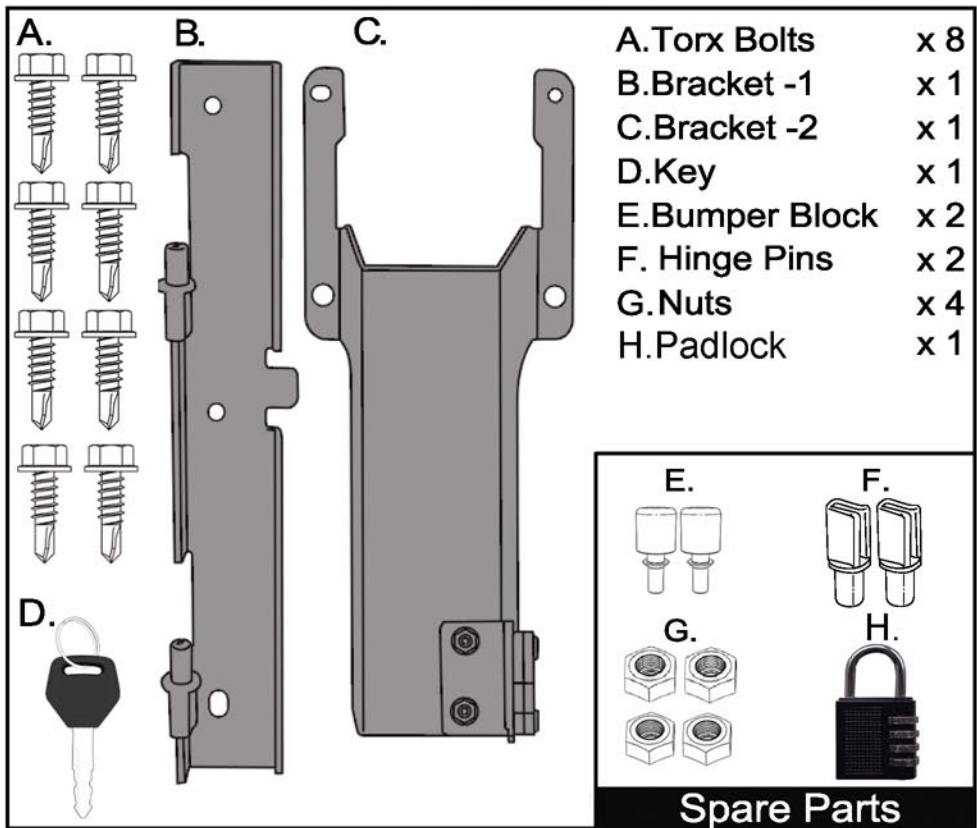
INSTALLATION PRECAUTIONS

The storage tool box doesn't fit Stepside Truck Bed, and it only fits Fleetside Truck Bed. If your truck is equipped with bed liner or rugs, we do not suggest to install the Bracket-1 and Bracket-2 directly on the surface of the bed liner or rugs. You may need to properly trim the bed liner or rugs and attach the brackets onto the metal sheet of your truck bed. Please take essential safety precaution during the installation procedure .If you do not have enough installation skills, it is recommended to seek the help from a qualified mechanic. We recommend maximum weight capacity 75lbs.

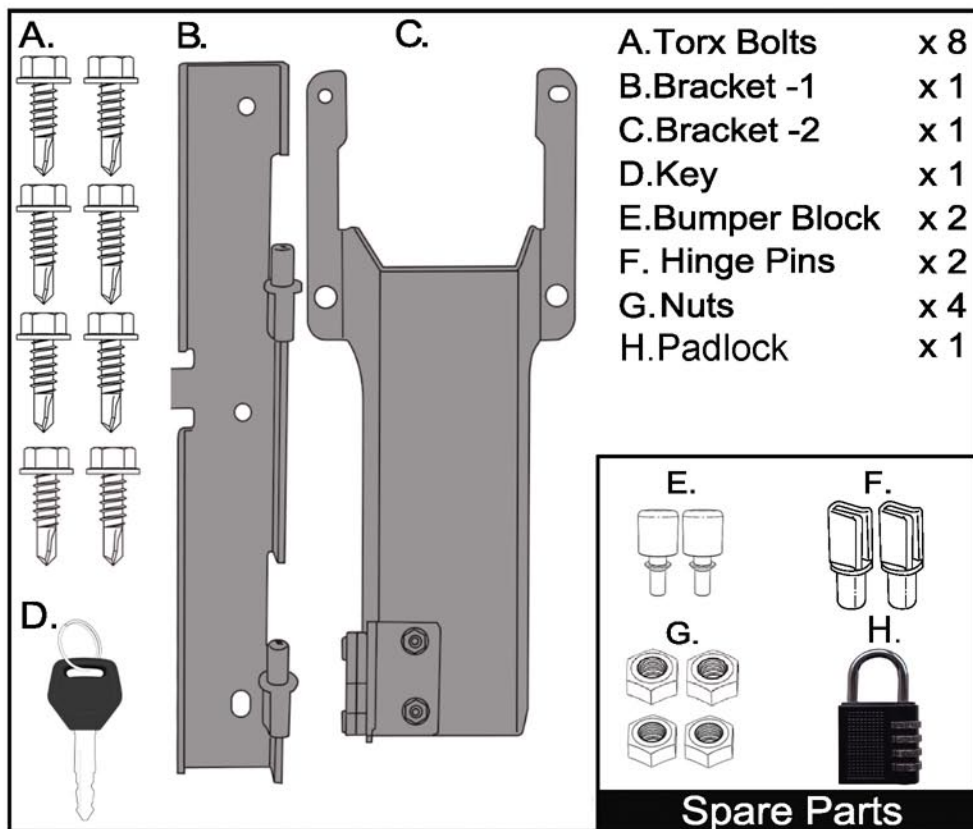
HARDWARE INCLUDED

Driver Side (L)

Model:ZP20220406S01

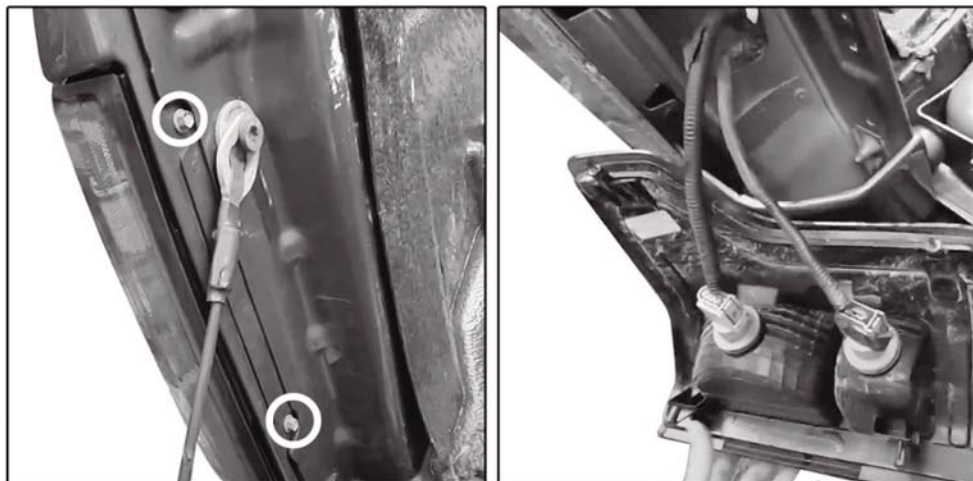


Passenger Side (R)
Model:ZP20220406S02



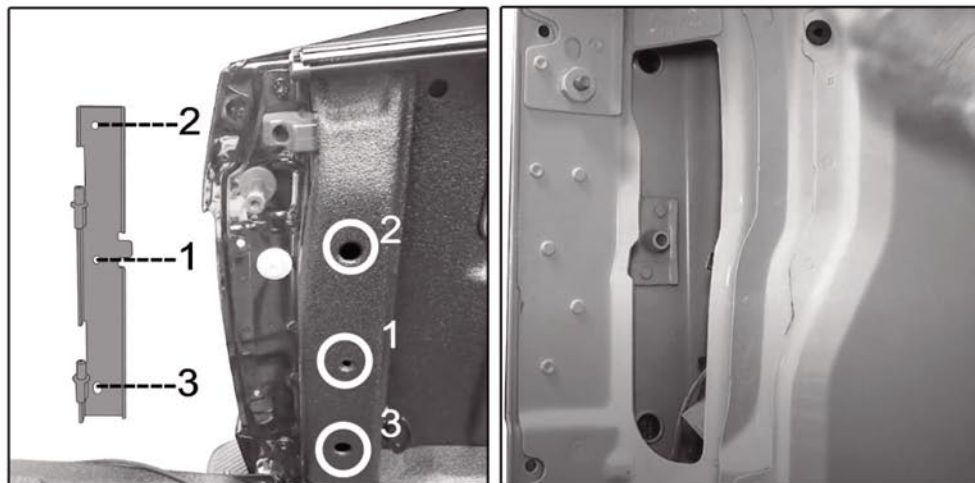
INSTALLATION GUIDE- DRIVER SIDE(L)

1. Remove the Tail Light



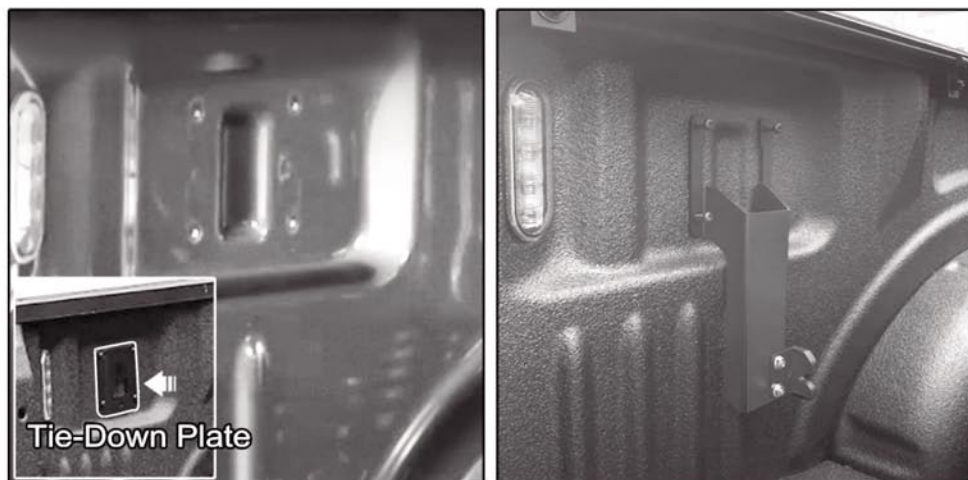
- Remove two bolts circled as above;
- Open the tail light cover, set the tail light aside;
- Disconnect the wiring harness connector;
- Take off the tail light.

2. Install the Bracket-1



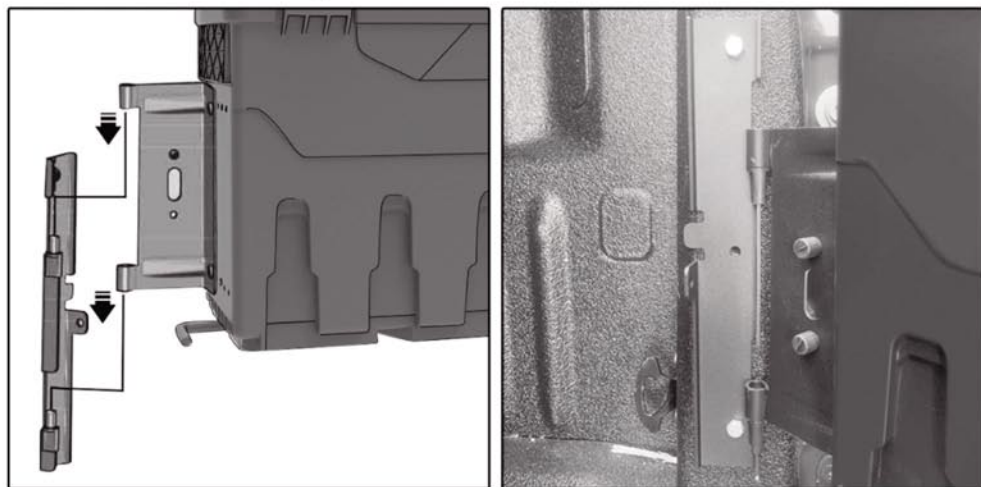
- Align the Bracket-1 to the mounting position;
- Fasten the Torx Bolt in the middle hole on the Bracket-1 first;
- Tighten the Bracket-1 from 1 to 3 as circled with the Torx Bolts.

3. Install the Bracket-2



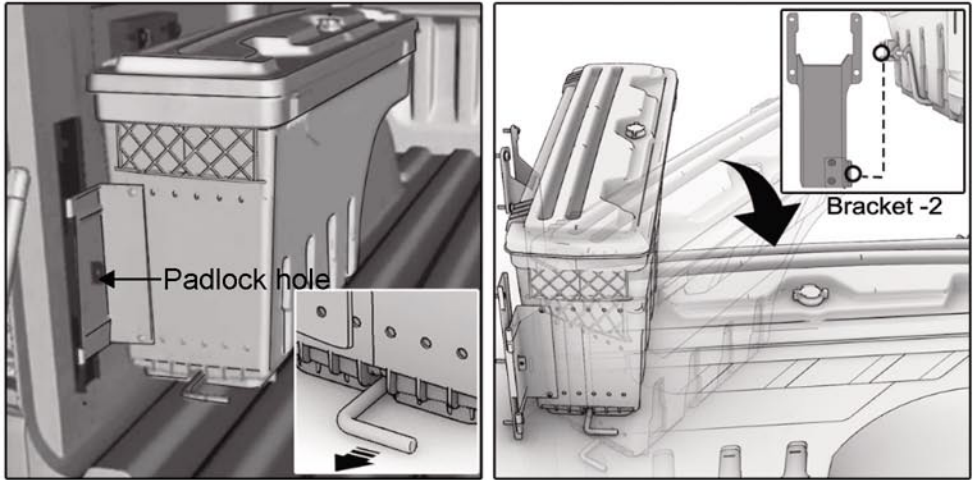
- Locate the Tie-Down Plate on your truck bed;
- Remove the Tie-Down Plate by unscrewing the four bolts;
- Install the Bracket-2 with the original bolts and tighten them.

4. Install the Storage Tool Box



- Clasp the storage tool box onto the two Hinge Pins of Bracket-1;
- Push the storage tool box to the stowed position;
- Reinstall the tail light.

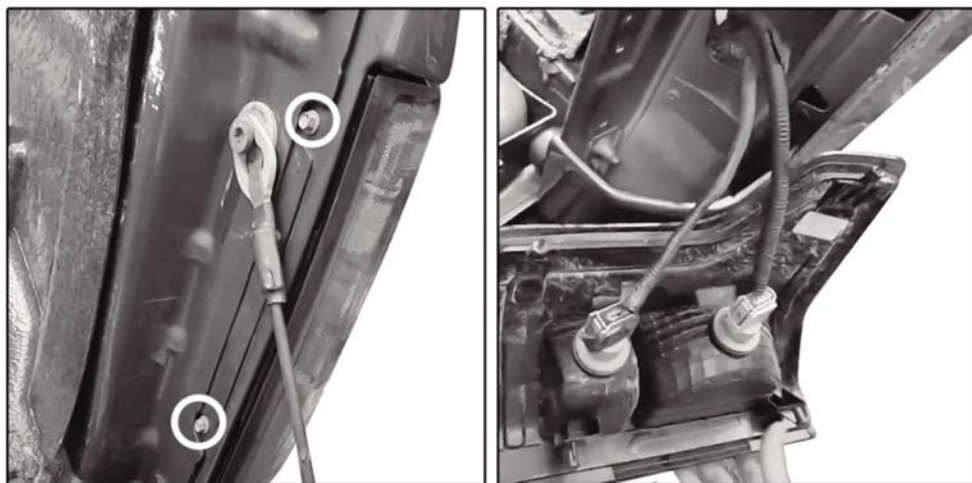
5. Test and Adjustment



- a. Pull the yellow latch to make sure the storage box rotates flexibly and latches smoothly;
- b. Please make some small adjustment if it won't latch freely, just loosen the two bolts on the latch;
- c. Installation completed;
- d. Lock the padlock into the hole if needed.

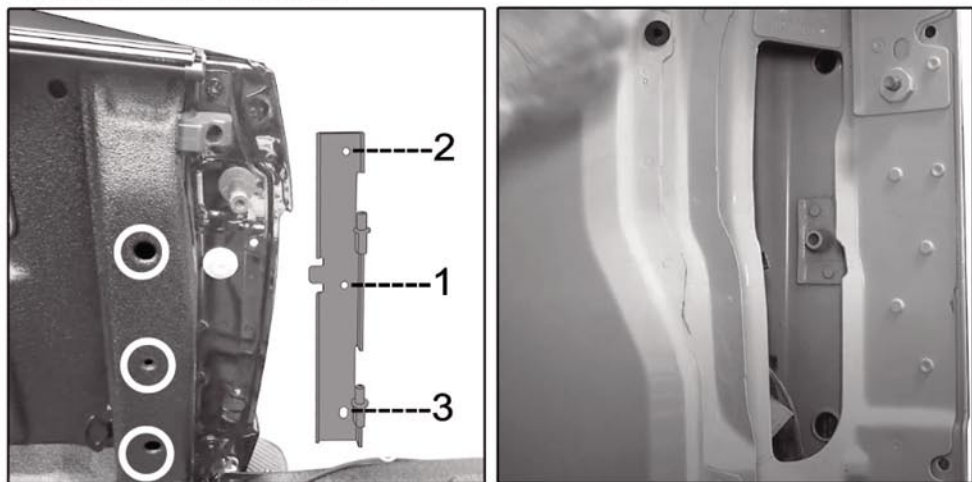
INSTALLATION GUIDE- FOR PASSENGER SIDE(R)

1. Remove the Tail Light



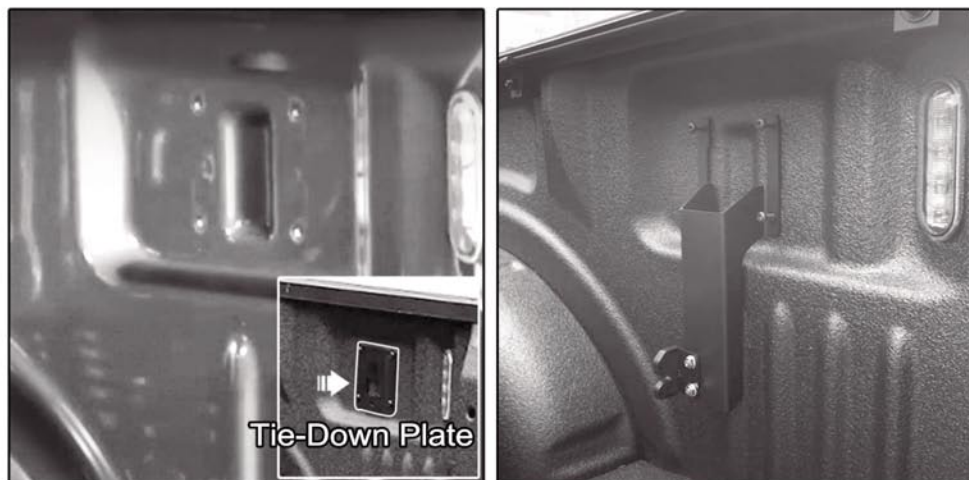
- Remove two bolts circled as above;
- Open the tail light cover, set the tail light aside;
- Disconnect the wiring harness connector;
- Take off the tail light.

2. Install the Bracket-1



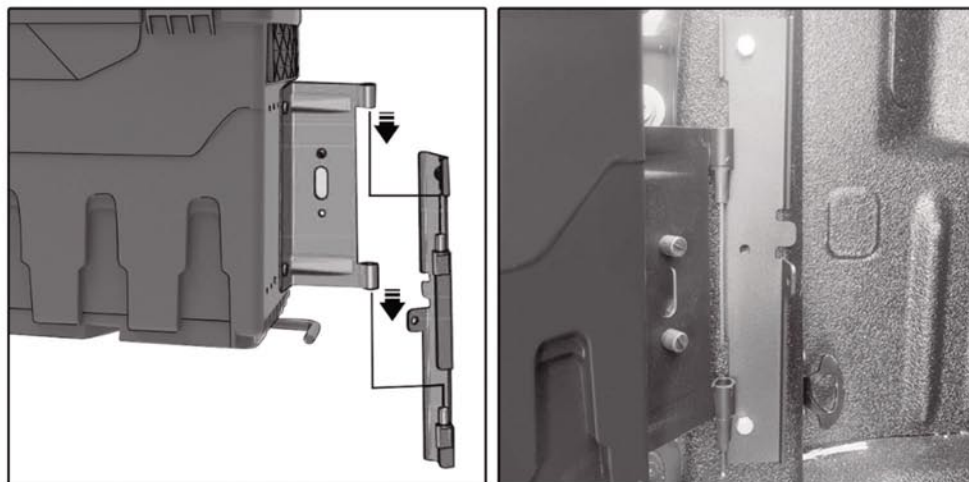
- Align the Bracket-1 to the mounting position;
- Fasten the Torx Bolt in the middle hole on the Bracket-1 first;
- Tighten the Bracket-1 from 1 to 3 as circled with the Torx Bolts.

3. Install the Bracket-2



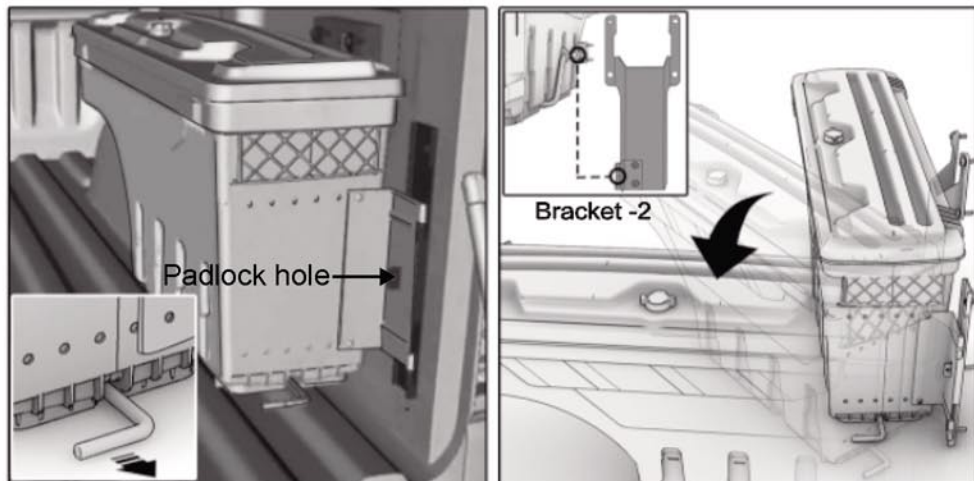
- Locate the Tie-Down Plate on your truck bed;
- Remove the Tie-Down Plate by unscrewing the four bolts;
- Install the Bracket-2 with the original bolts and tighten them.

4. Install the Storage Tool Box



- Clasp the storage tool box onto the two Hinge Pins of Bracket-1;
- Push the storage tool box to the stowed position;
- Reinstall the tail light.

5. Test and Adjustment



- Pull the yellow latch to make sure the storage box rotates flexibly and latches smoothly;
- Please make some small adjustment if it won't latch freely, just loosen the two bolts on the latch;
- Installation completed;
- Lock the padlock into the hole if needed.

PRODUCT SPECIFICATION

Model Number	Used for	Driver Side(L)	Passenger Side(R)	G.W.	Packing Size	Volume limit	Load limit	With Padlock
ZP20220406B01	Chevrolet Silverado 1500 GMC Sierra 1500 2019-2021 L	√		8.6kg	925×280×425 (mm)	25L	75lbs	X
ZP20220406B02	Chevrolet Silverado 1500 GMC Sierra 1500 2019-2021 R		√	8.6kg				X
ZP20220406C01	Dodge Ram 1500 2019-2021 L	√		9.0kg				√
ZP20220406C02	Dodge Ram 1500 2019-2021 R		√	9.0kg				√
ZP20220406S01	2015-2020 Ford F150 L	√		9.0kg				√
ZP20220406S02	2015-2020 Ford F150 R		√	9.0kg				√
ZP20220406E01	Tundra 2007-2021 L	√		9.0kg				√
ZP20220406E02	Tundra 2007-2021 R		√	9.0kg				√
ZP20220406F01	Super Duty 2017-2021 L	√		9.0kg				√
ZP20220406F02	Super Duty 2017-2021 R		√	9.0kg				√



WARNING:

Do not sit on the case to avoid any damage on case or hurt user.

Manufacturer name: Changzhou Zongpeng Vehicle Components Co., LTD
 Manufacturer address: No. 48 hongdadi, Xieqiao Village Committee,
 Menghe Town, Xinbei District, Changzhou city

Importer: WAITCHX

Address: 250 bis boulevard Saint-Germain 75007 Paris

VEVOR[®]

E-mail: CustomerService@vevor.com