

# **VEVOR<sup>®</sup>**

**TOUGH TOOLS, HALF PRICE**

Technical Support and E-Warranty Certificate [www.vevor.com/support](http://www.vevor.com/support)

## **FRUIT PRESS**

**MODEL:YZQ-2L YZQ-2L-2 YZQ-3L SC-FT5**

We continue to be committed to provide you tools with competitive price.

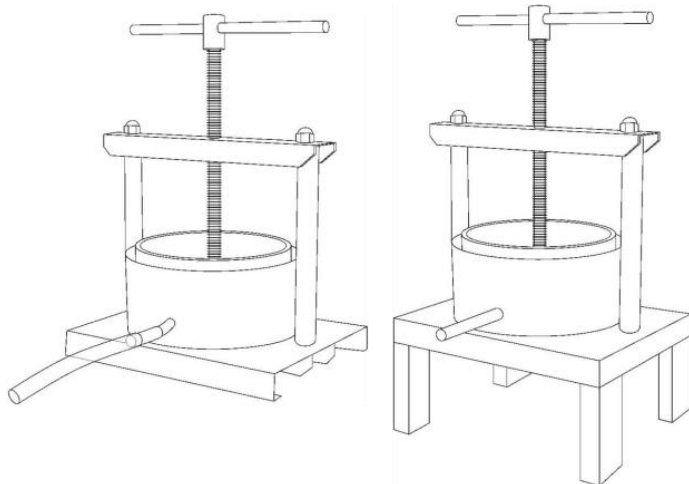
"Save Half", "Half Price" or any other similar expressions used by us only represents an estimate of savings you might benefit from buying certain tools with us compared to the major top brands and does not necessarily mean to cover all categories of tools offered by us. You are kindly reminded to verify carefully when you are placing an order with us if you are actually saving half in comparison with the top major brands.

# VEVOR®

TOUGH TOOLS, HALF PRICE

*Fruit Press*

MODEL:YZQ-2L YZQ-2L-2 YZQ-3L SC-FT5



## NEED HELP? CONTACT US!

Have product questions? Need technical support? Please feel free to contact us:

✉ [CustomerService@vevor.com](mailto:CustomerService@vevor.com)

This is the original instruction, please read all manual instructions carefully before operating. VEVOR reserves a clear interpretation of our user manual. The appearance of the product shall be subject to the product you received. Please forgive us that we won't inform you again if there are any technology or software updates on our product.

- Presses fruit quickly into juice
- Stable and powerful
- Easy turns on the spindle
- Improving health and quality of life

## **IMPORTANT SAFEGUARDS**

### **WARNING:**

Read and understand all instructions before using this fruit press. The operator must follow basic precautions to reduce the risk of personal injury and/or damage to the equipment.

### **WORK AREA**

1. Operate in a safe work environment. Keep your work area clean, well-lit and free of distractions.
2. Always wear gloves that provide protection based on the work materials or to reduce the effects of tool vibration. Keep anyone not wearing the appropriate safety equipment away from the work area.
3. Store the new fruit press properly in a safe and dry location to prevent rust or damage. Lock fruit press away and keep out of the reach of children.
4. Always place the fruit press on a level and firm surface.

### **PERSONAL PRECAUTIONS**

Control the fruit press, personal movement and the work environment to avoid personal injury or damage to fruit press.

1. Do not operate any fruit press when tired or under the influence of drugs, alcohol or medications.
2. Avoid wearing clothes or jewelry that can become entangled with a tool's moving parts. Keep long hair covered or bound.

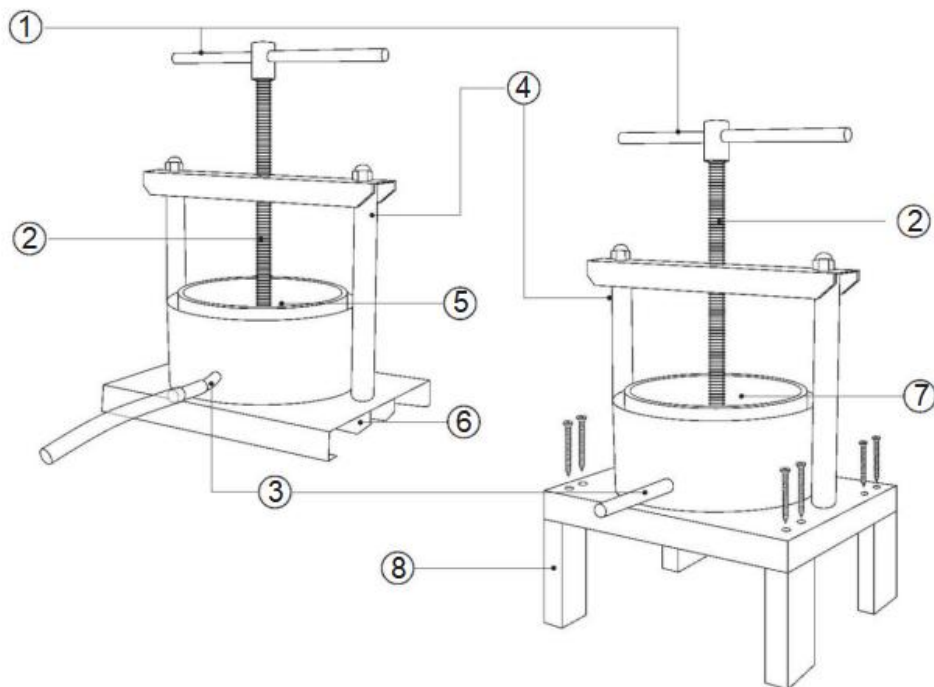
### **SPECIFIC SAFETY PRECAUTIONS**

1. Use the correct fruit press for the job. This fruit press was designed for a specific function. Do not modify or alter this fruit press or use it for an unintended purpose.
2. The fruit press must be stored in a safe and dry place after use.

**WARNING!**

DO NOT let comfort or familiarity with product (gained from repeated use) replace strict adherence to the fruit press safety rules. If you use this fruit press unsafely or incorrectly, you can suffer serious personal injury.

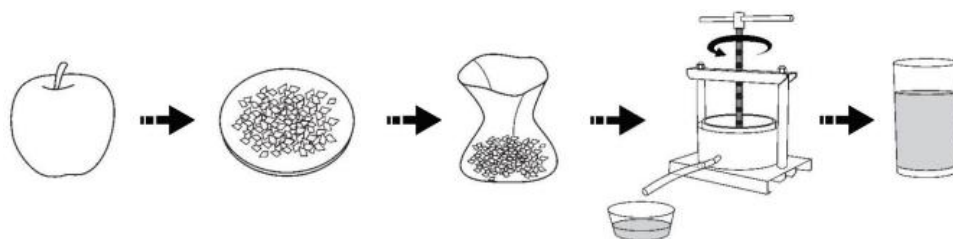
Model	Inner pot size	Outer pot size
YZQ-2L	14x13cm	16x10cm
YZQ-2L-2	14x13cm	16x10cm
YZQ-3L	14x13cm	20x11cm
SC-FT5	18x15cm	22x13cm



1	Comfortable and labor-saving handle	1pc
2	T-pattern thread wear-resistant and safe for your hand	1pc
3	Stainless steel inner and outlet bucket	2pc
4	Aluminium alloy upright posts	2pc
5	Stainless steel round inner plate	1pc
6	Heavy duty base	1pc
7	Beech material round inner plate 2cm thickness	1pc
8	Paulownia material base	1pc

### **Fruit press procedure:**

Puree the hard and soft fruit, then put it in a nylon bag. Finally, put it in the pot and press by turning the handle.



## **Fruit Press Instruction**

### **Production introduce**

Thanks for your purchase of this product. Before using this product, we hope customers can take basic precautions to minimize the risk of injury. Please read the instruction.

All the operators or maintainers must familiarize themselves with operating instructions. Never allow children to use it. The product does not include a service kit.

These products can't press whole fruit, which must be mashed. Otherwise, you won't be able to juice it successfully.

The manual juice press is different from other electric juicers. For example, the

grape can't be put into the electric juicer because crushed grape seeds will cause bitterness. Only using this product can keep the seeds intact. Please make sure the fruit is fresh, and the fruit is crushed.

Press apples, pears, oranges, and other similar fruits, which should be crushed. This will increase juice production. But like grapes, raspberries, currants do not need to mash.

Before pressing, all the fruit must be clean.

### **Usable range**

It can be used for distiller grains pressing, Chinese medicinal dregs pressing, CaiXian pressing, wine juice separation, etc.

But the fruit press is used for juice slag separation, which can't be thoroughly pressed out; if you use excessive force will cause damage to the machine. Please use it with caution!

### **Tips**

Clean before and after each use. The spindle should be apply a small amount of lubrication oil to reduce shaft wear

Please put the filter screen on the barrel

Please make sure all the fruit is in the filter bag

Please prepare vessel under the juice outlet

Slowly turn the handle shaft

If the pressure increases, turn the handle shaft and put other fruit in the barrel.

### **Clean care**

It must be cleaned with dish detergent before and after use

All moving parts must be lubricated regularly, especially when not used for a long time to dry with food-grade lubricant rust.

### **SAVE THESE INSTRUCTIONS**

**Address:** Baoshanqu Shuangchenglu 803long 11hao 1602A-1609shi Shanghai

**Imported to USA:** VEVOR STORE INC, 9448 RINCHMOND PL #E  
RANCHO CUCAMONGA, California, 91730 United States of America



Pooledas Group Ltd  
Unit 5 Albert Edward House, The Pavilions  
Preston, United Kingdom



SHUNSHUN GmbH  
Römeräcker 9 Z2021, 76351  
Linkenheim-Hochstetten, Germany

**Made In China**

**VEVOR<sup>®</sup>**

**TOUGH TOOLS, HALF PRICE**

**Technical Support and E-Warranty Certificate**

**[www.vevor.com/support](http://www.vevor.com/support)**