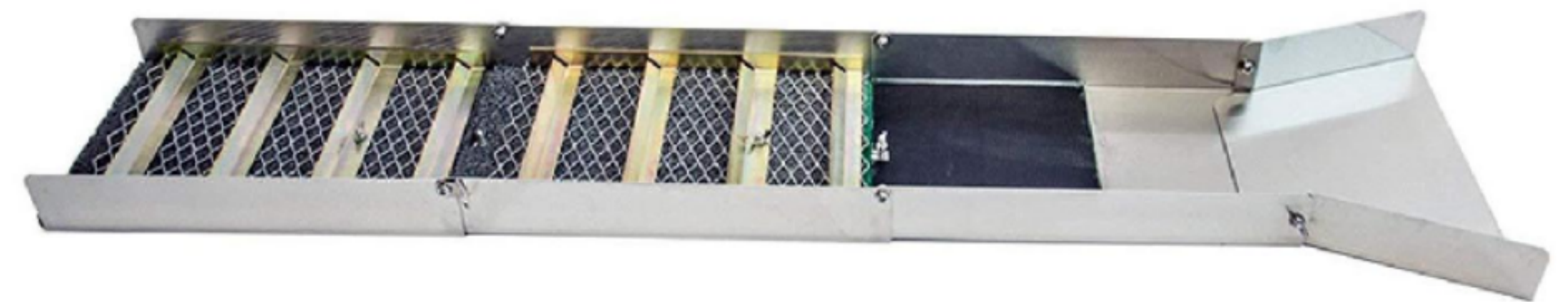


**VEVOR®**

## **FOLDING ALUMINUM SLUICE BOX**



50"

### **Contact:**

[www.vevor.com](http://www.vevor.com)

[service@vevor.com](mailto:service@vevor.com)

### **Call us:**

(+626) 275-4507 (For USA)

(+44) 1173182739 (For Europe)

(+001)626 275-4507

(For Other Countries)

### **Working Time:**

Mon-Fri 8:00 am to 5:00 pm



3-piece folding design, Extremely portable, folding down in size by loosening the connecting wing nuts, it will pack right up into your backpack or 5 gallon bucket. You're ready to prospect for gold right out of the package. No assembly required.



Host



Electronic scale

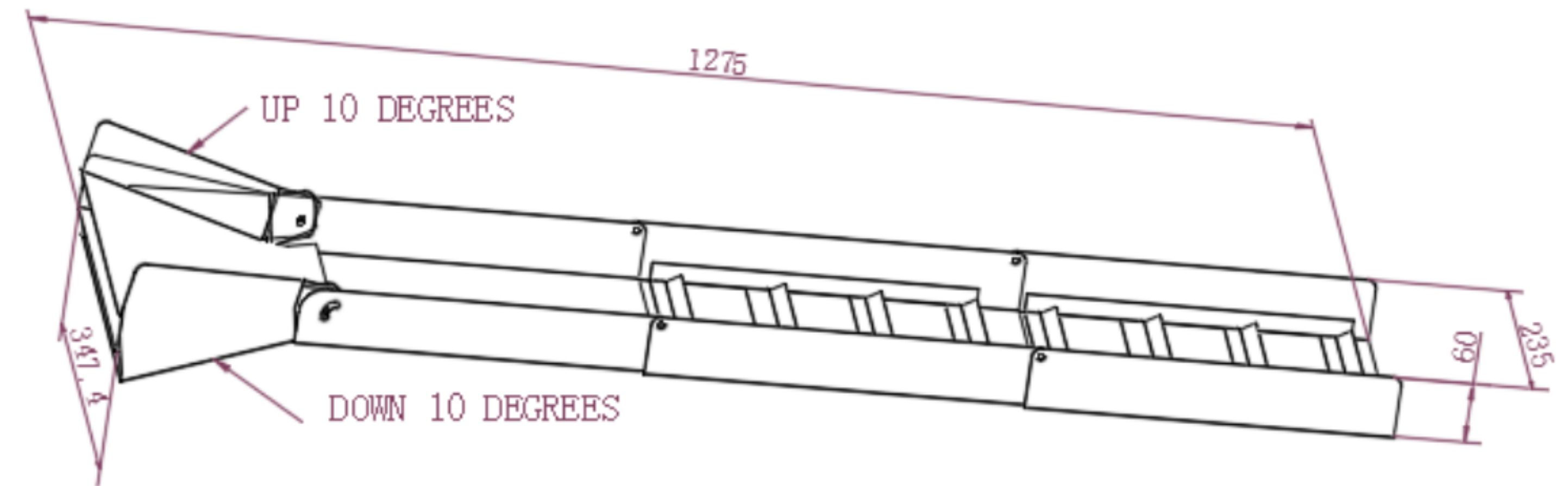


Tote bag

The newly designed VEVOR Outdoor Gold Sluice Box Folding Aluminum Portable Gold Prospecting, 50 Inch. the lightweight, aluminium sluice box weighs just 7.5lbs and folds up to just 15" x 9", Extremely portable. simply by tightening the locking wingnuts. This takes care of the most common complaint about similar, cheaper models in that they would often fold up when you tried to pick them up out of the stream. allowing for easy portability that you can backpack this gold panning sluice box into any river, stream, creek or remote area anywhere. This is ideal for all experienced miners as well as beginner gold panning enthusiasts and adults.

Maximize the efficiency of gold exploration and mining operations. This product is developed by experienced prospectors and a professional team.

PACKING LIST	
1	Handles
1	Removable riffles
1	Aluminum mesh
1	White Moss
1	Blue carpet
1	Lightweight aluminum box construction
1	Pocket scale



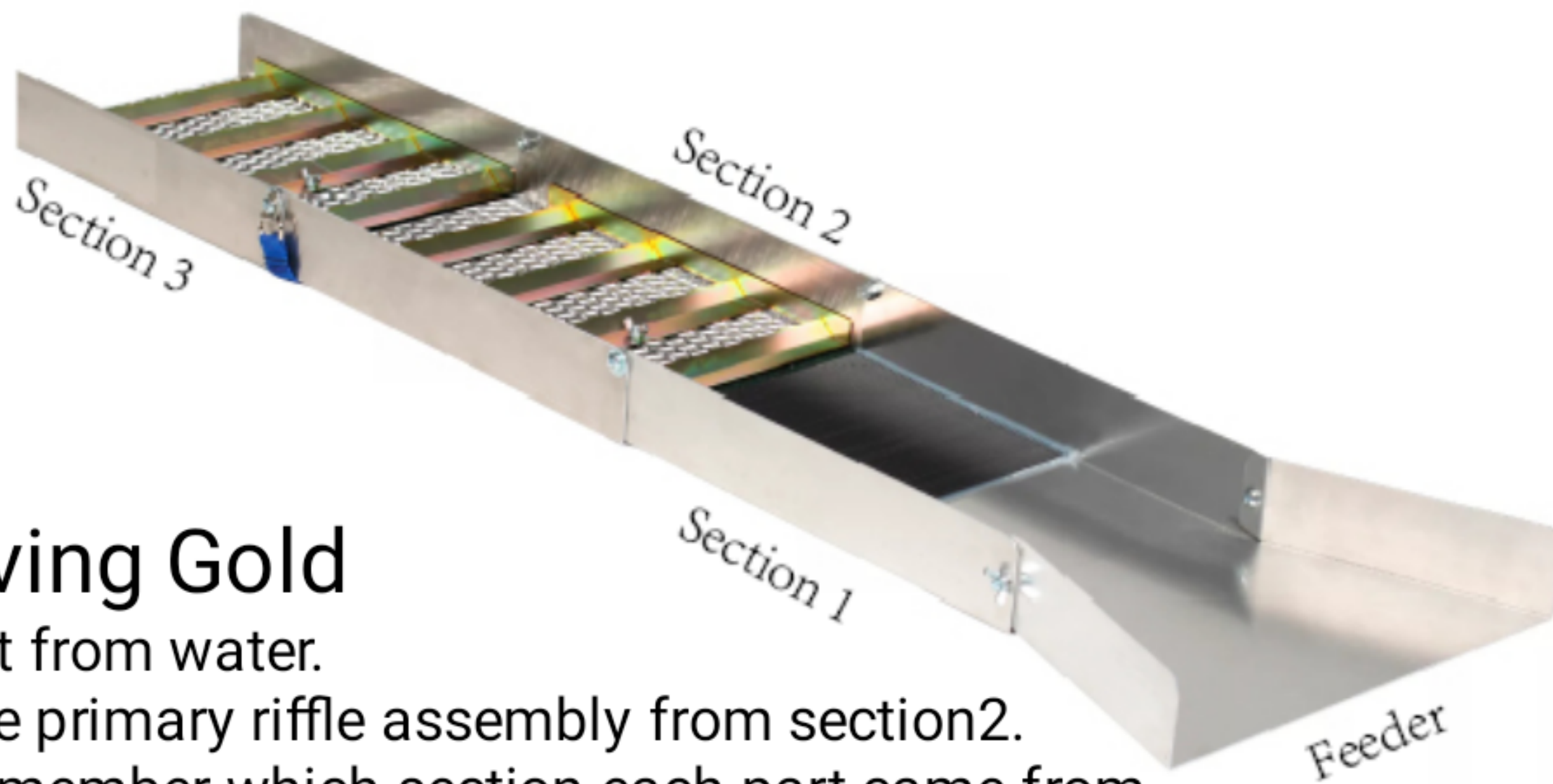
UNIT:MM

## Set-Up

1. Unfold Unit so sections are past centre to engage locks.
2. unscrew wing nuts from both sides of the wide mouth feeder.
3. Place feeder on the end of section 1 and fasten with screws and wing nuts provided.
4. Your unit is now fully assembled.

## Unit Placement

1. For the unit to operate properly. As a suggestion, the feeder can be adjusted to be 2-1/2 inches higher than the back end.
2. Place the unit in shallow water no more than the height of the sides.
3. Place shovel full of material in the feeder on top of the mat. the material should immediately start flowing down the sluice box. 50% of the material is being trapped behind riffles while the other 50% washes downstream, (this is the proper flow & angle when this is achieved). Note: water flow is too slow if the unit fills with sand and gravel -you then must increase your water flow, angle or both to achieve the 50% being trapped and the 50% going downstream.

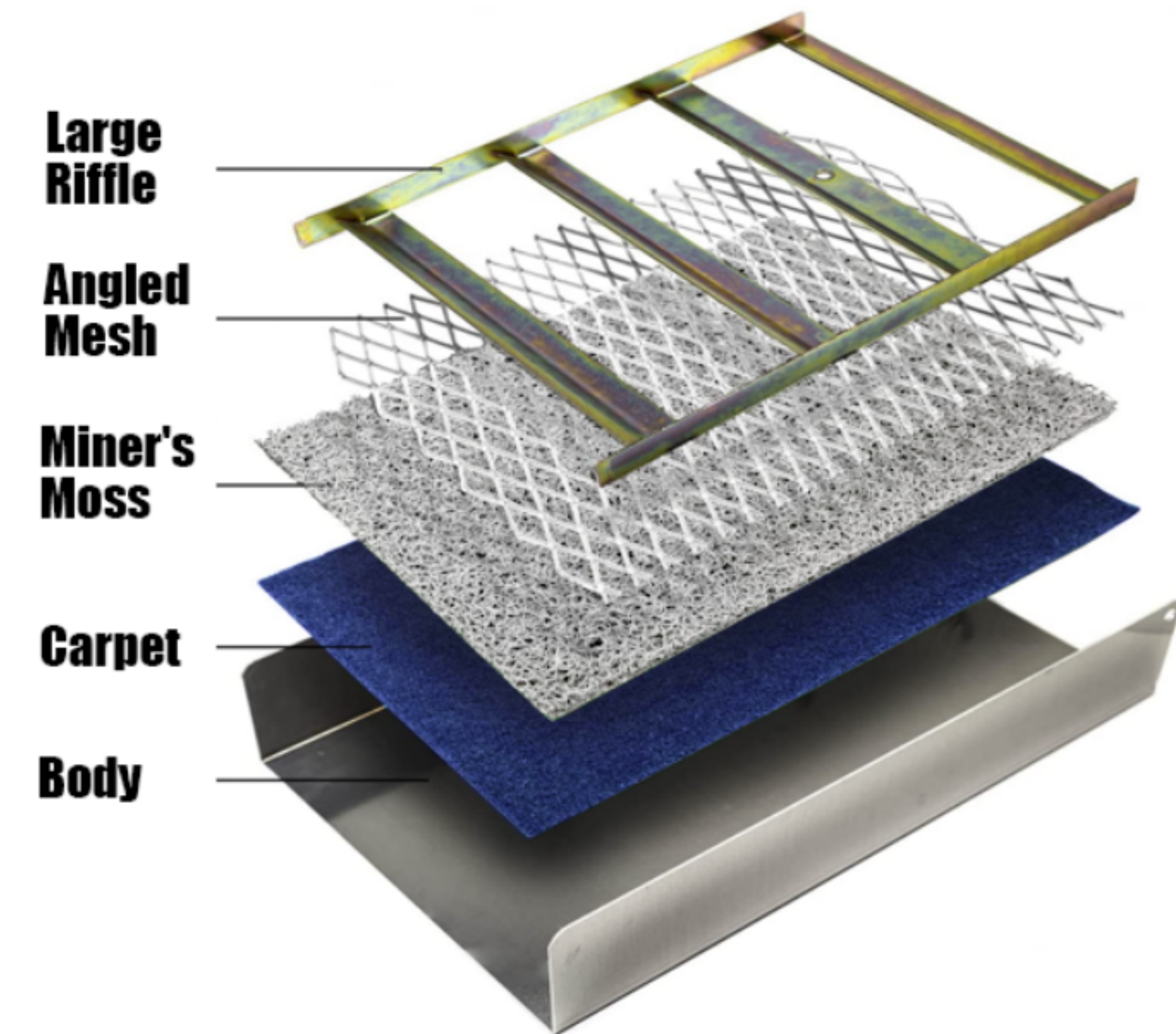


## Removing Gold

1. Lift unit from water.
2. Remove primary riffle assembly from section 2.
  - a. Remember which section each part came from.
  - b. Section 2 is 1/2 inch longer than section 3.
3. Remove secondary riffle.
4. Remove and roll the carpet up with ribs facing inward.
5. Roll the carpet and place it in a bucket filled with clean water to release gold concentrates. Roll carpet opposite.

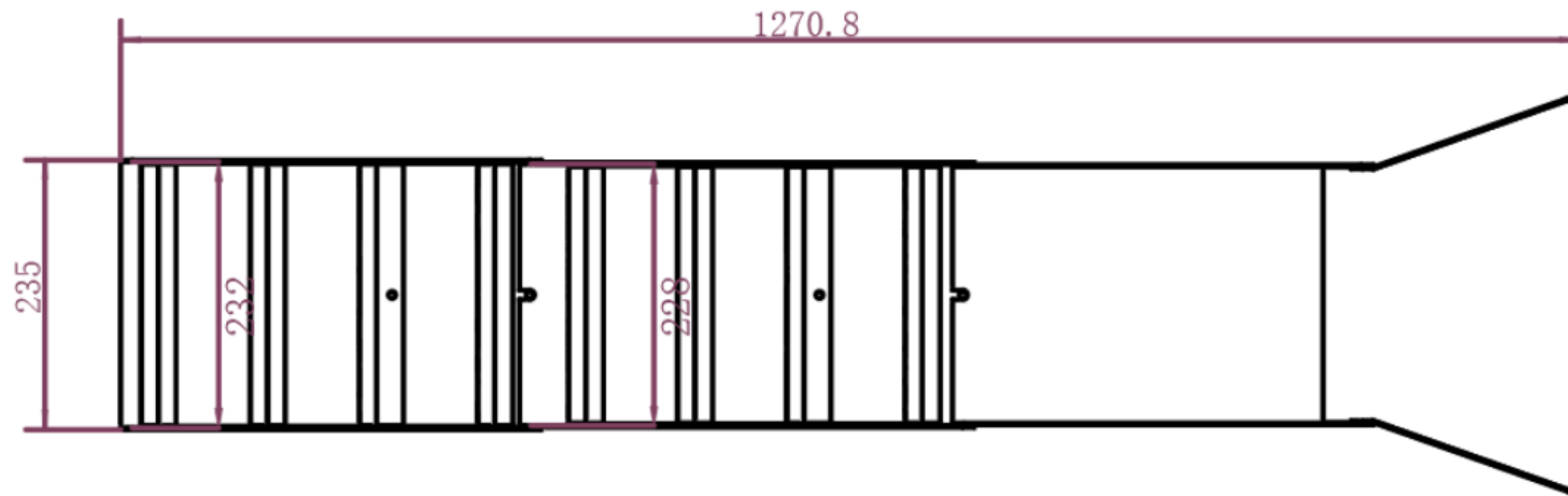
## Reassembling

1. Place carpet back in section 2.
2. Place secondary riffle in over carpet.
  - a. Please see the picture below to ensure proper placement of the secondary riffle.
  - b. Expanded metal and riffle should be at the same angle.



## Storing Unit

1. Make sure the carpet is dry before storing the unit.
2. Remove feeder and replace screws and nuts in holes on the feeder.
3. Place the feeder in section 2.
4. Fold section 1 into section 2.
5. fold section 3 over section 2.
6. pick up from strap. Sections 2 and 3 should be visible from the sides.



UNIT:MM

**PORTABLE DESIGN:** VEVOR Outdoor Folding Sluice Box folds down compact for easy storage and carrying. You can backpack this folding sluice into remote areas or even carry it inside a 5 gallon bucket

**EFFORTLESS USE:** Everything can be packed up in your backpack ready to deploy. All you need to do is make sure your sluice box is level in the field. When extended in stream the sluice box body is designed to lock rigidly in place so that when removed it does not fold up and collapse without warning

**DURABLE CONSTRUCTION:** Made to be used, designed to be portable the Backpack Sluice Box for Gold Recovery is lightweight made from highly-durable, rust-free aluminum. It will surely withstand the harshest environments

**HIGH-YIELD GOLD RECOVERY:** 18 Gauge steel zinc-plat-ed riffles are built in throughout the sediment channel creating water turbulence that traps gold flake and small gold flour in the woven vinyl miners moss which is pre-installed and ready to use out of the box

**SPECIFICATIONS:** Extended Dimensions: 50" Length ; Folded Dimensions: 15" x 9" x 5"; Wide-Mouth Flange: 13.25"; Weight: 7.5lbs ; Comes with carpet, woven vinyl miners moss and shoulder strap

SPECIFICATIONS	
Product Dimensions (L x W x H):	16.50 x 2.50 x 10.50 Inches
Assembled Product Weight:	8.66 lbs
Manufacturer:	Made In China