

VEVOR[®]

TOUGH TOOLS, HALF PRICE

Support and E-Warranty Certificate <https://www.vevor.com/support>

INSTRUCTIONS FOR TOOL CABINET ASSEMBLY

We continue to be committed to provide you tools with competitive price.

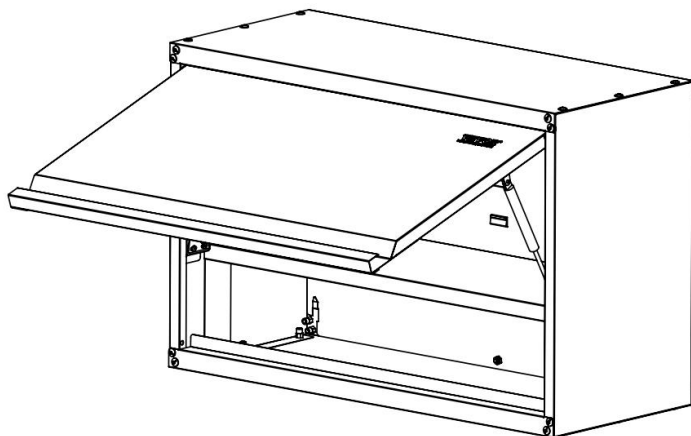
"Save Half", "Half Price" or any other similar expressions used by us only represents an estimate of savings you might benefit from buying certain tools with us compared to the major top brands and does not necessarily mean to cover all categories of tools offered by us. You are kindly reminded to verify carefully when you are placing an order with us if you are actually saving half in comparison with the top major brands.

VEVOR®

TOUGH TOOLS, HALF PRICE

Tool Cabinet Assembly

MODEL:WC30




NEED HELP? CONTACT US!

Have product questions? Need technical support? Please feel free to contact us:









 CustomerService@vevor.com









This is the original instruction, please read all manual instructions carefully before operating. VEVOR reserves a clear interpretation of our user manual. The appearance of the product shall be subject to the product you received. Please forgive us that we won't inform you again if there are any technology or software updates on our product.

Please read instructions carefully before assembly.

	<p>Warning-To reduce the risk of injury, user must read instructions manual carefully.</p>
---	--

Assembly Parts List

Part	Description	Qty
1	Left side panel 	1
2	Right side panel 	1
3	Back panel 	1
4	Top cover 	1
5	Bottom 	1
6	Shelf 	1
7	Door 	1
8	Wall Hang panel 	2

Part	Description		Qty
9	Hang top panel		1
10	Hang bottom panel		1
11	Gas spring		2
12	Bolt-M3x6		12
13	Bolt-M6x15		34
14	Screw-ST6.3*38		10
15	Rubber plug 8*40mm		10
16	Positioning board		1

Tools are required for assembly:

1. Phillips screwdriver.
2. Rubber mallet.

Safety Tips:

1. Lay a soft cloth or paper on the floor before assembly to prevent the floor from scratching the parts.
2. The maximum load of each layer after assembly is 120 LBS.
3. The weight limit of each object is 40lbs

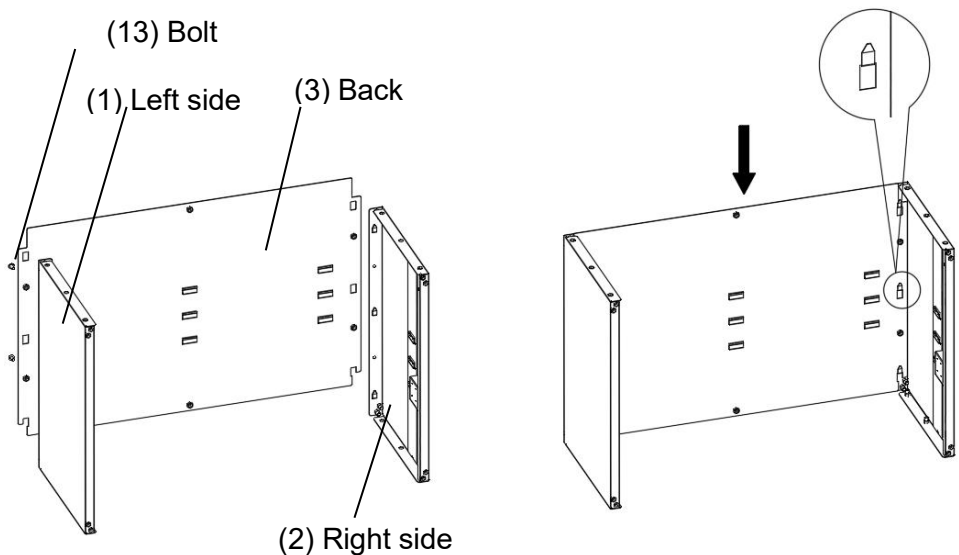
Table of Parameters

Items	Description
Name	Tool Cabinet
Model	WC30
External dimensions	770×318×500 mm
	30.3×12.5×19.7 inch
Package Size	850×590×135 mm
G.W.	15.5 kg

Instructions for Installation

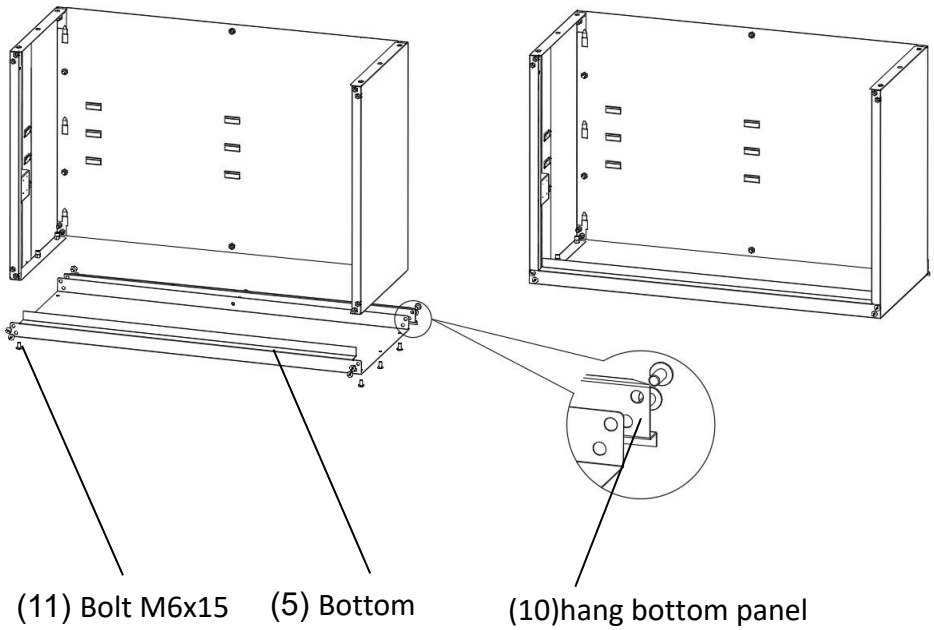
STEP 1

Insert back (3) into the buckles of left side plate(1) and right side plate(2). Then use gelatin hammer to flap until the alignment at the top and secure them with bolt-M6*15(13).



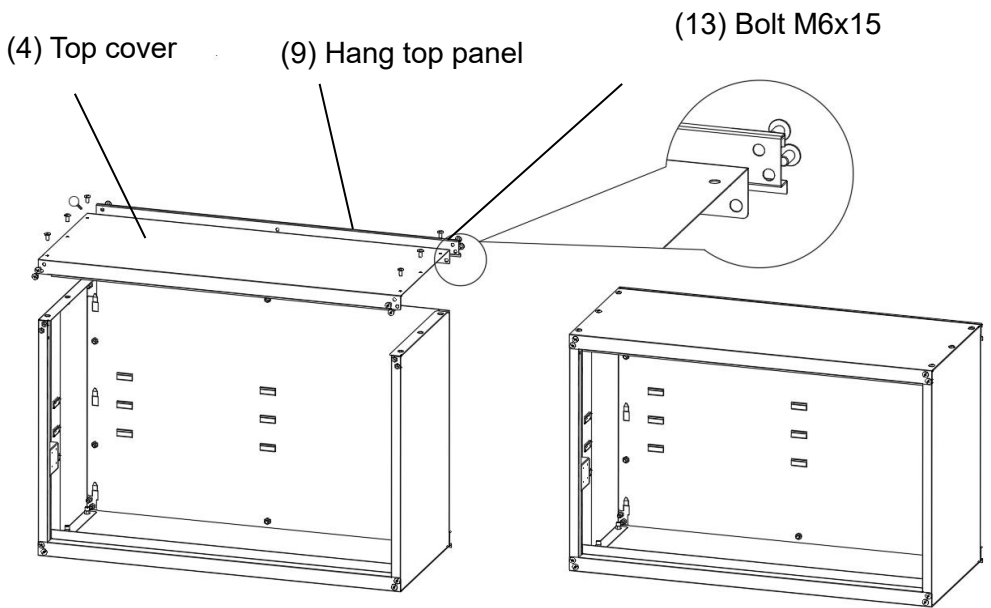
STEP 2

Step 2: Align bottom's(5) and hang bottom panel's(10) holes to left and right side panel' bottom holes, and secure them with (13)M6x15.



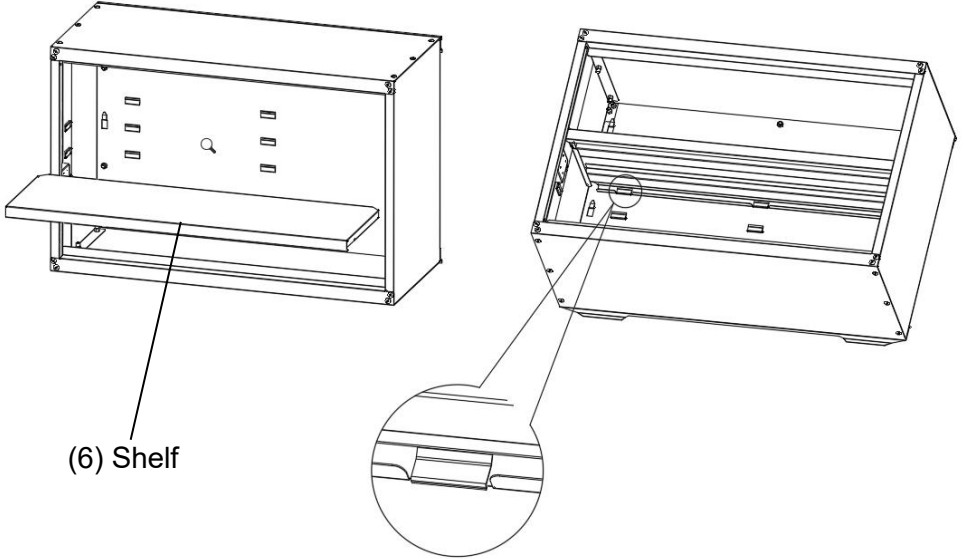
STEP 3

Do the same to top cover(4) and hang top panel(9), secure them with bolt-M6x15(13).



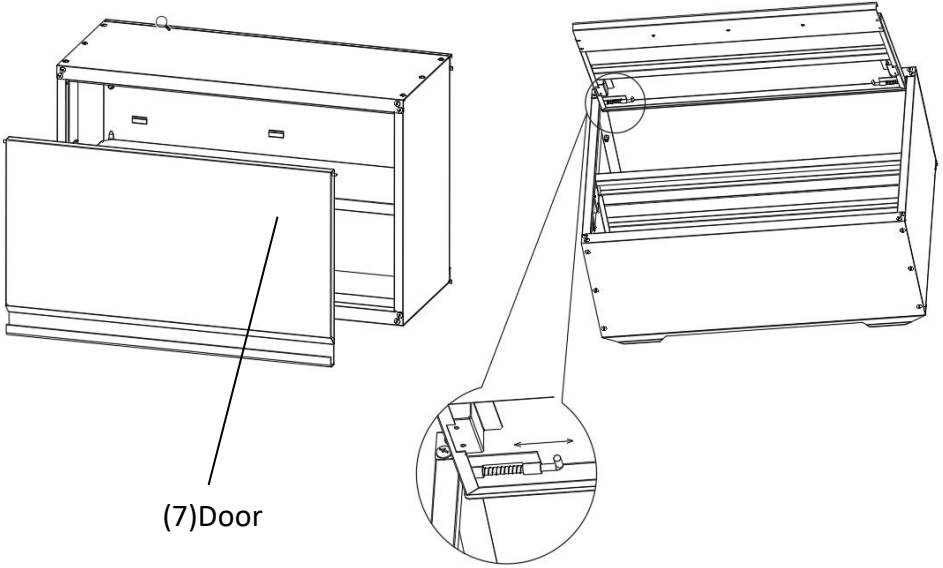
STEP 4

Tilt the shelf (6) into the box, place the shelf from top to bottom, and insert the left, right and back sides of the shelf into the left and right side panels and the backplane hanging brackets at the appropriate height. The installation is complete.



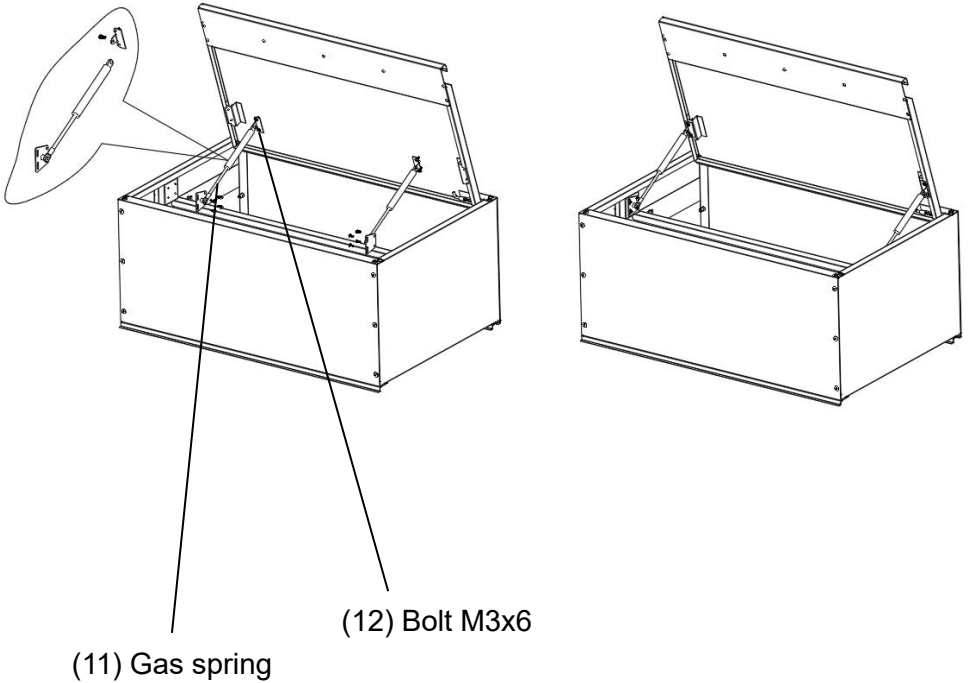
STEP 5

As shown in the figure, first insert the dowel on the top left of the door into the left side panel hole, and then insert the dowel on the top right of the door into the right panel hole.



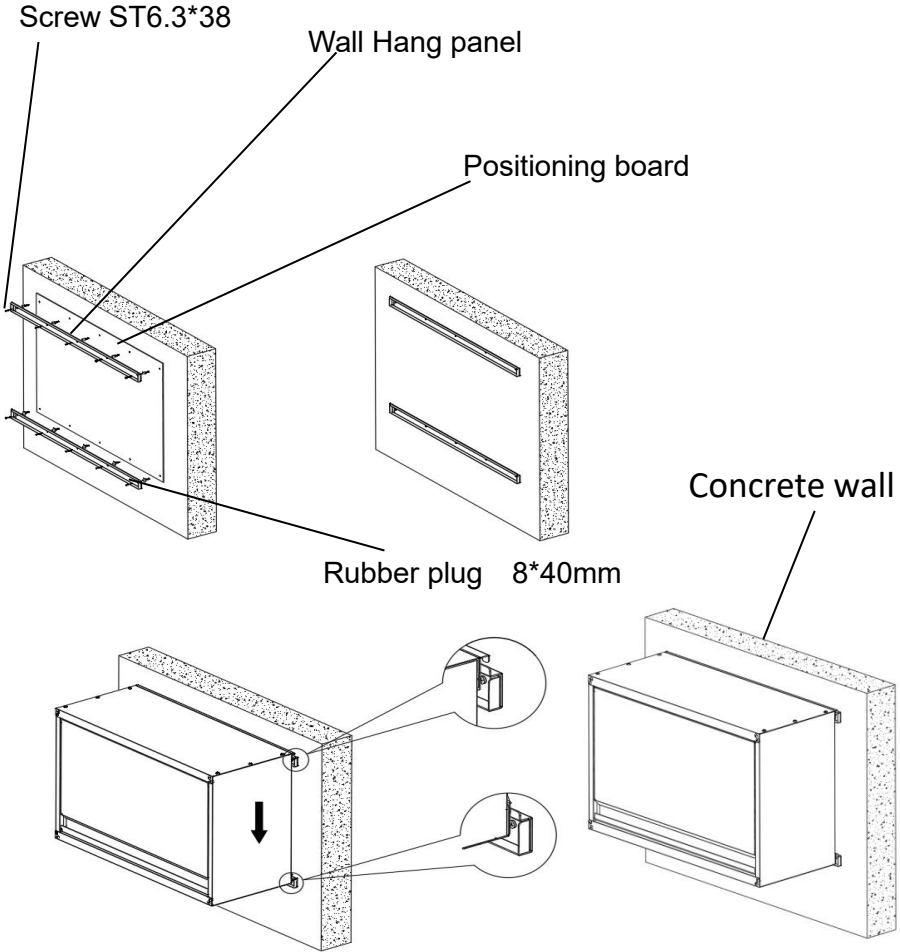
STEP 6

Before installing the gas spring (11), it is necessary to disassemble the spring support (as shown in the figure), install the base and the pressure rod of the support on the door panel and the box body respectively, lock and fix them with the 11-word large flat head screw M3x6, and then fix the base and pressure rod of the spring support with the removed screws.



STEP 7

As shown in the figure, first paste the positioning board (16) on the wall to draw the positioning line and drill holes, then install the rubber plug (15) into the wall with drilled holes, and then align the mounting hole of the wall hang plate(8) with the installation hole of the rubber plug and use the screw-ST6.3x38(14)to lock and fix .



Manufacturer: Zhongshan City CYZ Coating Tech.Co.,Ltd.

Address: Plant1,No.78,Zhongheng Avenue,Baoyu Village, Henglan Town,
Zhongshan City,Guangdong Province,China

MADE IN CHINA

VEVOR[®]

TOUGH TOOLS, HALF PRICE

Support and E-Warranty Certificate <https://www.vevor.com/support>