

VEVOR[®]

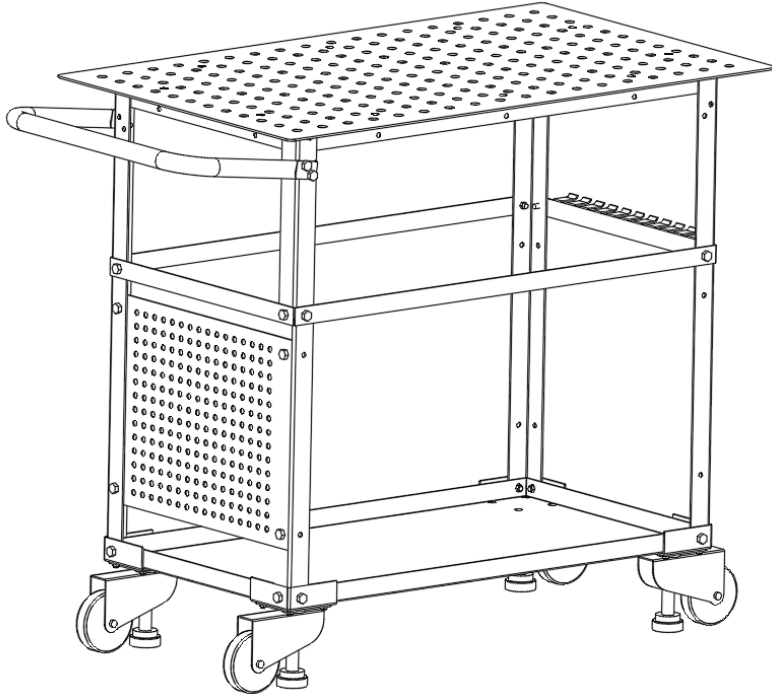
TOUGH TOOLS, HALF PRICE

Technical Support and E-Warranty Certificate
www.vevor.com/support

Moveable Welding Table USER MANUAL

We continue to be committed to provide you tools with competitive price. "Save Half", "Half Price" or any other similar expressions used by us only represents an estimate of savings you might benefit from buying certain tools with us compared to the major top brands and does not necessarily mean to cover all categories of tools offered by us. You are kindly reminded to verify carefully when you are placing an order with us if you are actually saving half in comparison with the top major brands.

Model: WT600



Note: the quantity of parts shown in the manual is the actual usage and the unused parts are spare parts.

NEED HELP? CONTACT US!

Have product questions? Need technical support? Please feel free to contact us:

✉ CustomerService@vevor.com

This is the original instruction, please read all manual instructions carefully before operating. VEVOR reserves clear interpretation of our user manual. The appearance of the product shall be subject to the product you received. Please forgive us that we won't inform you again if there is any technology or software updates on our product.

ASSEMBLY PRECAUTIONS

1. Assemble only according to these instructions. Incorrect assembly can be a hazard.
2. Wear safety goggles and heavy-duty work gloves during assembly.
3. Do not assemble when tired or when under the influence of alcohol, drugs or medication.
4. Weight capacity and other product capabilities apply to properly and completely assembled product only.

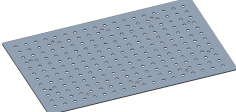
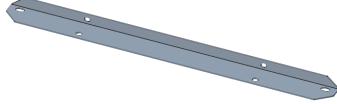

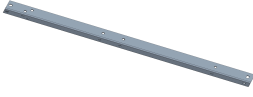


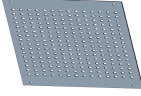
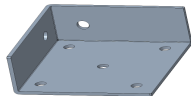
USE PRECAUTIONS

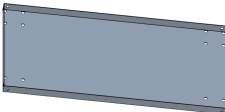
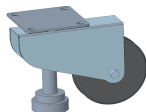
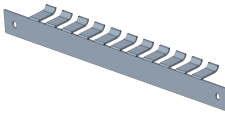
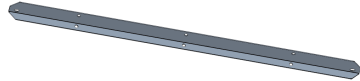
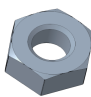
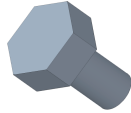


1. This product is not a toy. Do not allow children to play with or approach this item.
2. Use as intended only. Do not sit or stand on table.
3. Inspect before every use. Do not use if parts are loose or damaged.
4. Use only on flat, level, hard surface.
5. Do not exceed listed weight capacity. Tighten all knobs securely before applying load.
Be aware of dynamic loading! Sudden load movement may briefly create excess load causing product failure.
6. The maximum load of the product is 600 lb (272 Kg).

ASSEMBLY INSTRUCTIONS

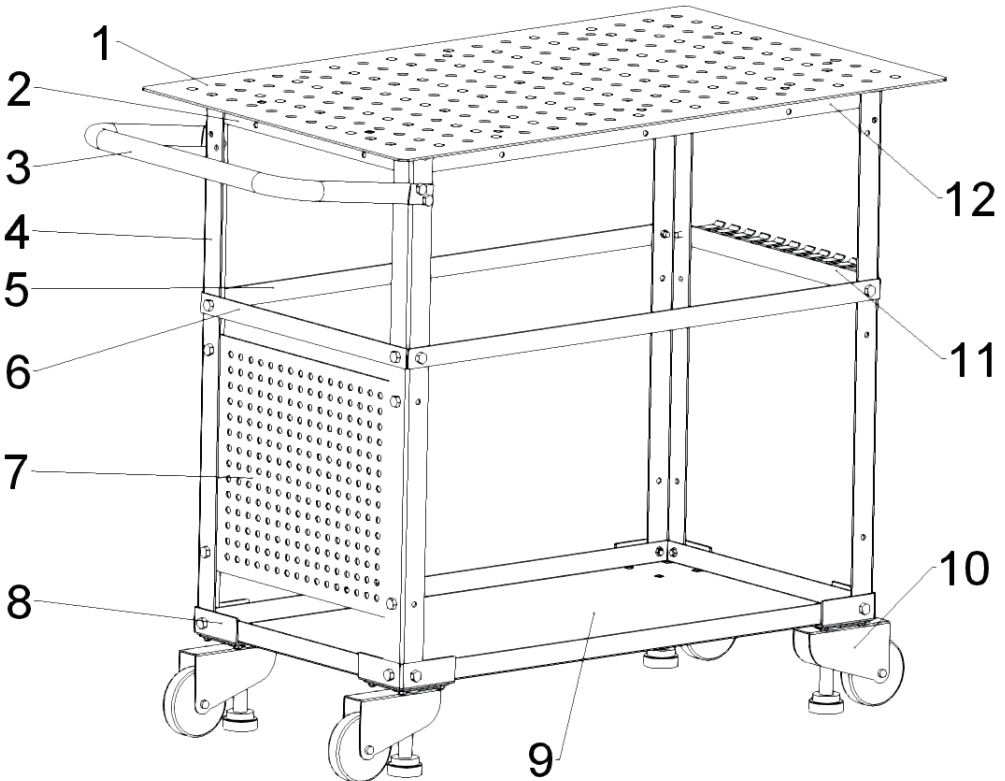
For additional information regarding the parts listed in the following pages, refer to the Assembly Diagram of this manual. Unwrap and separate all parts on a clear work area.

PACKAGE CONTENTS

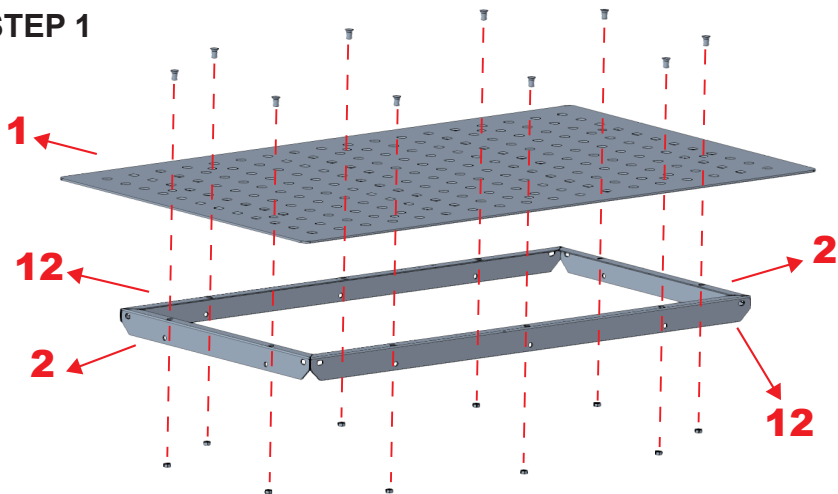
 <p>1. Table Top × 1</p>	 <p>2. Plate 1 × 2</p>
 <p>3. Handle × 1</p>	 <p>4. Table leg × 4</p>
 <p>5. Plate 2 × 2</p>	 <p>6. Plate 3 × 1</p>
 <p>7. Front plate × 1</p>	 <p>8. Wheel support × 4</p>

 <p>9. Tool palette × 1</p>	 <p>10. Casters Wheel × 4</p>		
 <p>11. Couple plate × 1</p>	 <p>12. Plate 4 × 2</p>		
 <p>13. M8 Nut × 58</p>	 <p>14. M8x20 Screw × 32</p>	 <p>15. M8x15 Grub screw × 10</p>	 <p>16. M8x12 Round head screw × 16</p>

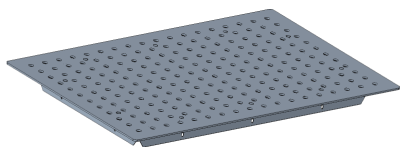
ASSEMBLY STEPS



STEP 1



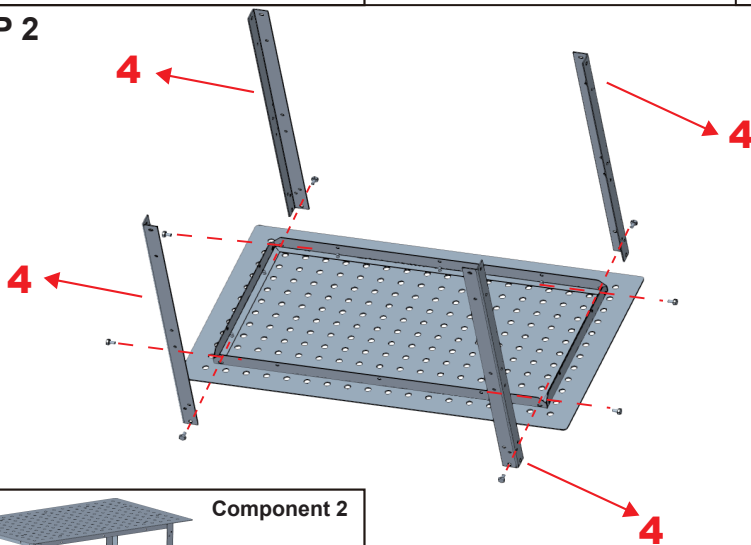
Component 1



15  × 10

13  × 10

STEP 2



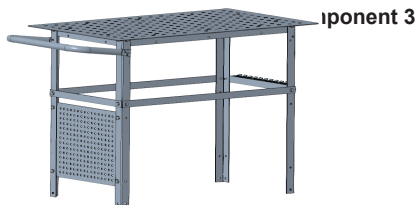
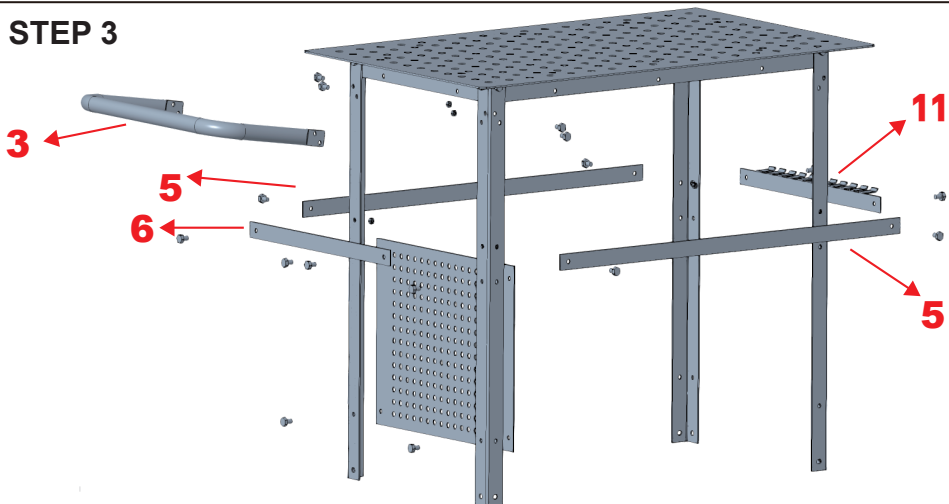
Component 2



14  × 8

13  × 8

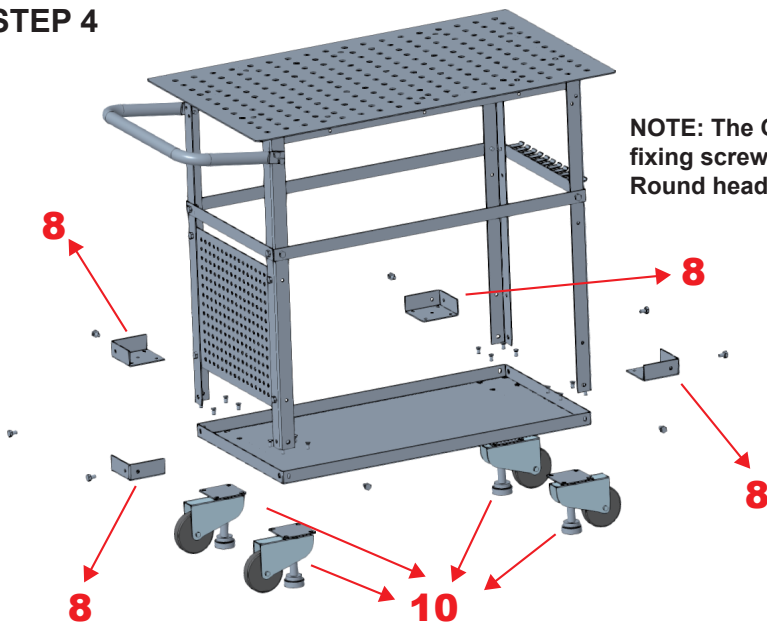
STEP 3






NOTE: Each screw is locked with a nut.

14		× 16
13		× 16

STEP 4



NOTE: The Casters Wheel fixing screws are M8x12 Round head screw.

14		× 8
13		× 8
16		× 16

Complete your product.



VEVOR[®]

TOUGH TOOLS, HALF PRICE

Technical Support and E-Warranty Certificate

www.vevor.com/support

Made In China