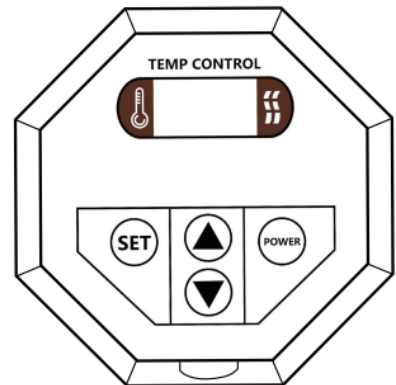
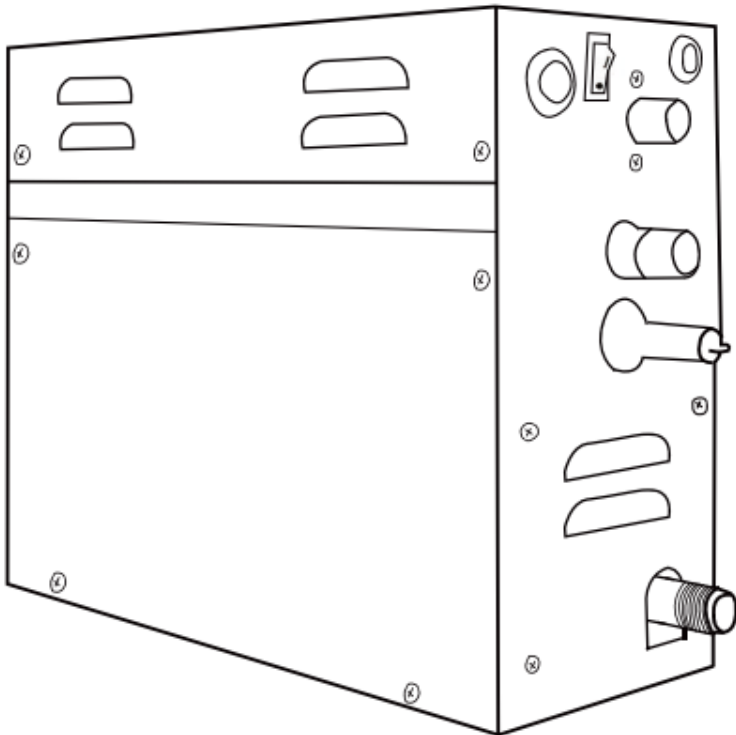




STEAM GENERATOR



This is the original instruction, please read all manual instructions carefully before operating. VEVOR reserves clear interpretation of our user manual. The appearance of the product shall be subject to the product you received. Please forgive us that we won't inform you again if there is any technology or software updates on our product.

Caution in Steam Bath

Elders, pregnant women, patients with heart disease / hyper tension / sugar diabetes and others with health problems who are not suitable for Steam Bath can not use the machine, besides under doctor's instruction.

Smoking / doing exercises / drinking alcoholic beverages is prohibited.

If feeling uncomfortable, sick or exhausted, please get out as soon as possible.

Take care of children. Do not leave them alone when using the machine.

A small vent for fresh air of Steam Room is necessary.

1.0 Technical Information of Generator and Control Panel

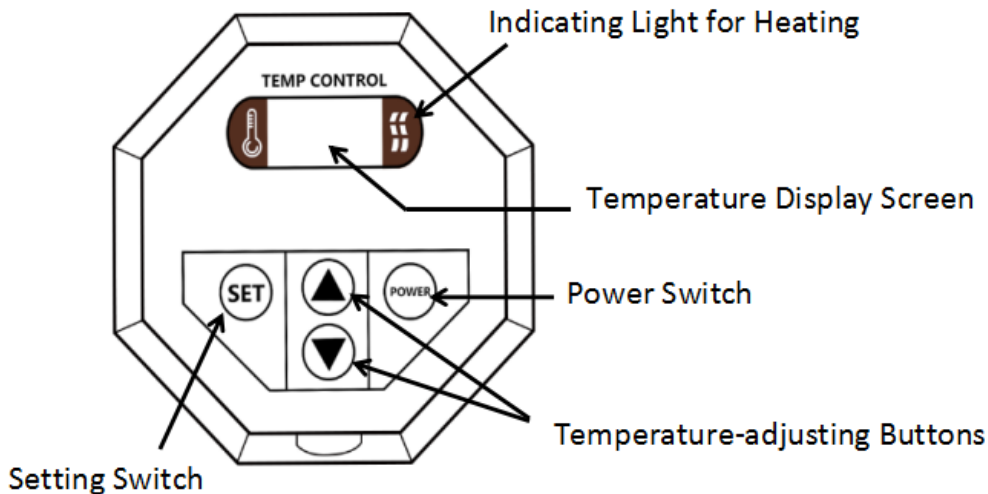
1. Technical Information of YCS Steam Generator (Form 1):

Model	Power(Kw)	Voltage	Specification(L*W*H,mm)
YCS-40	4	220V	395*153*313
YCS-50	5	220V	395*153*313
YCS-60	6	220V	395*153*313
YCS-70	7	220V	445*182*313
YCS-80	8	220V	445*182*313
YCS-90	9	220V	445*182*313

2. Technical Information of YCS Steam Generator (Form 2):

Model	Controllable Time(minutes)	Controllable temperature (35-55°C is suggested)	Specification(L*W*H)
TC-01	60	35-55°C	100*100*25mm

2.0 Installation and Operation of TC-01 Control Panel



Slightly touching the POWER button starts the generator's operation, touching that button again, stops the generator's operation and the indicating light turns off. The presetting heating time of the machine is 60 minutes. If it works over 60 minutes, the operation will stop automatically.

2.1. Position

Outside Steam Room The height of 1.2m is recommended to install the Control Panel. A hole with 38mm's diameter in the wall is needed to install for the Control Panel. The connection cable should go through the joint's protective cover in case of being buried in the wall. (Figure 2)

After installation and inspection of Control Panel, start the machine.

2.2. Installation of Control Panel and Connection cable

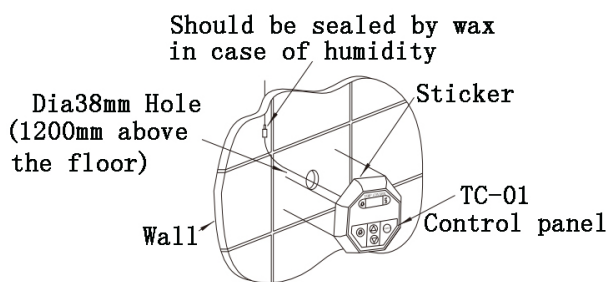


Figure 2 Installation of TC-01 Control panel

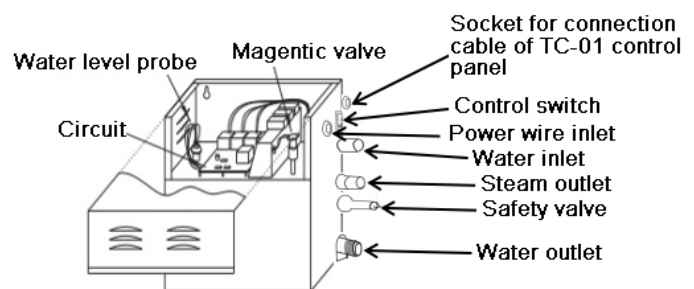


Figure 3 YCS steam generator

Plug the connection cable's plug into the matching socket on Steam Generator(Figure 3)Tear the sticker from the Panel's back, stick the Panel on the wall,and seal the Panel's edge on the wall with silica gel.

2.3. Wiring

Wire through the right hole in the wall.Do properly protect the wire when going through the wall.Be careful of extreme bending, sharp wooden fibers and nails.If necessary,the wire can go through a pipe for renewal.

2.4.Operating an Testing Generator and Control Panel

After installation of piping system and circuitry,turn on the water valve and power switch .Slightly touching the POWER button.After 60 minutes,Steam Generator stops working automatically, and the light turns off.

Operation without water is prohibited!

3.0 Installation of Steam Generator and Piping System

ALL machines manufactured in our factory have been rightly assembled and carefully tested.

Shut off all electric switches and make sure that Generator suits Steam Room before installation Refer to Form3.

Form 3 Technical Information

Model	Largest room being heated (CBM)	Power(Kw)	Voltage	Specification(L*W*H,mm)
YCS-40	2-5	4	220V	395*153*313
YCS-50	5-6	5	220V	395*153*313
YCS-60	6-7	6	220V	395*153*313
YCS-70	7-8	7	220V	445*182*313
YCS-80	8-9	8	220V	445*182*313
YCS-90	10-12	9	220V	445*182*313

Installation of Steam Generator

1. Firmly install it on the wall or at dry places near bathtub/bath room. Place the machine vertically. Loosen screws on machine's top cover. Take away the top cover. Fix the machine by fastening the left and right back. The suitable installing position is closet/room on top floor/basement near bath areas.

For easy repair, the nameplate should be seen apparently and the machine should be placed where it is convenient for after-sale services. Refer to Installation Suggestion (Figure 4)

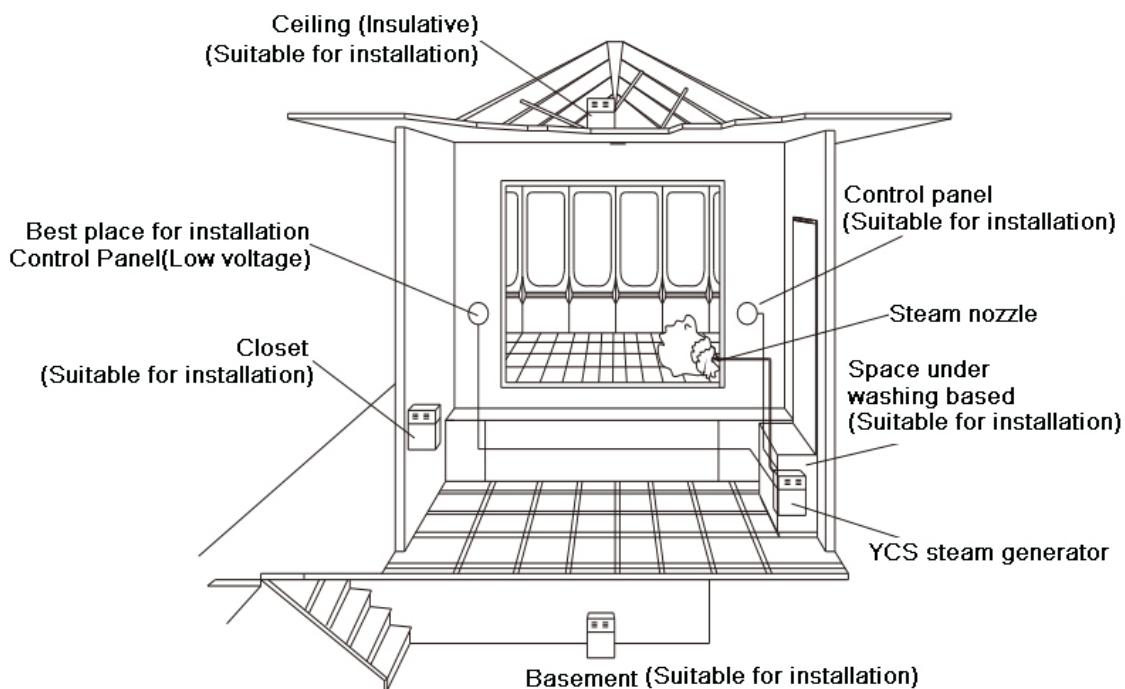


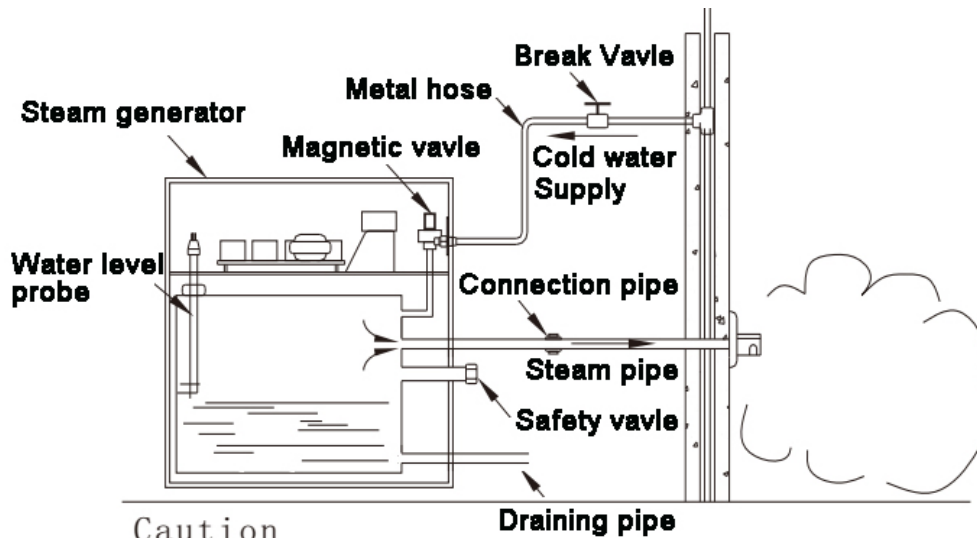
Figure 4 Installation of Steam Generator

2. Don't install Generator outdoors/in humidity/in hot places/where it is easy to get frozen or rotted/ near paints, thinner or petrol. During operation, be careful of steam piping system and safety valve in case of being burnt.

3. Steam Generator must be vertically placed.

Installation of Piping System

Water Supplying Piping System and Steam Piping System must be installed according to national standards and regulations before sealing the wall.



Caution
nozzle should be 250mm above the floor or 100mm above the edge of bathtub. In case of human burnt, nozzle should as far from seats as possible and safety guard is needed.

Figure 5 Installation of Steam Generator Piping System

1. The water inlet pipe, metal hose of 0.5 inch's diameter, connects Generator's water inlet and water supplying system's valve. (Figure 5)
2. The diameter of steam outlet copper pipe should be no less than 0.5 inch. (Black metal pipe or galvanized pipe is prohibited to use in case of rusting and dirtying the wall.) The steam pipe should be no more than 3 meters long. If it is more than 3 meters, some special works for heat preservation should be done. (Figure 5)
3. The draining pipe should be connected to a pipe whose diameter is no less than 3 inches in case of damaging Steam Room during draining.
4. Steam Nozzle should be installed inside Room. Connect decorative cover to steam pipe joint, seal it with gel and screw steam nozzle on. Control the strength properly in case of destroying the decorative cover and nozzle. The outlet of nozzle must be downwards.

Caution:

A.If Generator is installed where it is hard for users to arrive,the water supplying valve should be installed where it is easy to arrive in emergency.

B.The pressure magnetic valve can stand is 1 kg/cm².If the water pressure is too high,turn the water supplying valve down or install a pressure reducing valve in water supplying pipe.

C.Saddle valve or needle-shape valve is not suitable to be in drain pipe.
Completely dredge and rinse the pipe before connection.

D.Don't install Generator outdoors but vertically install it where it's easy for maintenance service with arrows pointing up.

E.The piping system must be of copper pipes.Otherwise,it may damage the machine. All joints/gap must be completely sealed in case of machine's damage by leaking steam.If the hot water in water tank goes into Steam Room,it may cause human burn or Room damage.Please install some proper protective devices according to practical situation.

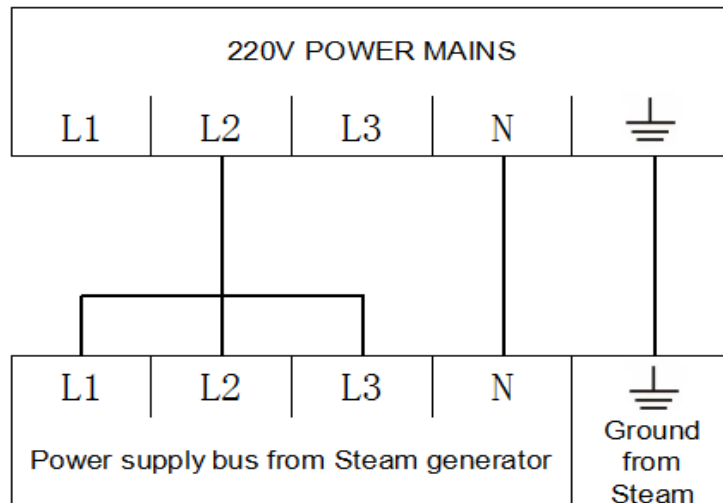
4.0 Installation of Steam Generator's Circuitry

Power Installation of Steam Generator

1. Make sure of proper voltage Refer to the nameplate of machine or Form 1.
2. Fuse or breaker must be installed according to Form 3.Some relative protective devices against electricity leakage are also needed.
3. Use the wire with proper model by the local requirement.If necessary,install a socket bear Steam Generator.The plug and socket must match.(Refer to the Specific instruction) After sealing the gap/hole in the wall, connect Generator and Control Panel with wire.

4. Plug the power wire and connection cable to Control Panel into matching sockets in Generator. After fixing Generator's cover and Control Panel, turn Generator's Power switch on. Turn Control Panel's switch on. Now the machine starts working.

5. The following diagram shows the method of wiring.



Inspection

Do inspection as the following before Generator's Operation.

1. Connect the machine to the earth with proper wire whose diameter should be more than 4mm.

2. Use Generator with proper model. If not, the presetting temperature may not reach inside Steam Room.

3. Ensure the proper voltage for Generator. If Generator of 220V works under 380 voltage, its heating elements and circuit may be damaged.

4. Place Generator vertically.

5. Use wires, breakers and protective devices against electricity leakage with proper models.

Caution:

Shut off all power switches before installation, maintenance and repair. Don't add any other electrical devices to Generator and Control Panel. Don't use Generator and Control Panel as power device for other machines. Make sure of the normal operation of earth wire and power wire. Installation, operation, maintenance and repair, please strictly use spare parts appointed by Manufacturer so as to ensure the machine's safe and continuous operation.

5.0 Maintenance and Repair of Steam Generator

A. Maintenance

1. Check Generator, steam nozzle, spare parts and piping joints regularly in case of water leakage and machine damage.
2. It's important to rinse and discharge deposits in water tank. This work should be daily done or frequently done according to the local water quality and steam usage frequency.
3. Be careful about over-heating at any circumstance. Check the firmness of all electric joints.

B. Repair

1. replace heating elements: Shut off power, discharge the water out from water tank, take off the top cover and heating elements cover, mark the places where the wires are connected, remove the wire, and take heating elements out. Wear a gum ring around the joints of heating elements, eliminate water fur from water tank, and properly place new heating elements and tighten them. (Press the gum ring tightly without turning it out from inside)

2.connect wires again,check the joints in case of water leakage,and place all covers back.

3.replace circuit: Shut off power and water,remove the front cover,and mark the place of water level probe.Remove the wires from the probe and circuit, place a new probe,and screw it to the normal position. Connect the wire to the probe.

Caution:

Shut off power switches before maintenance and repair.

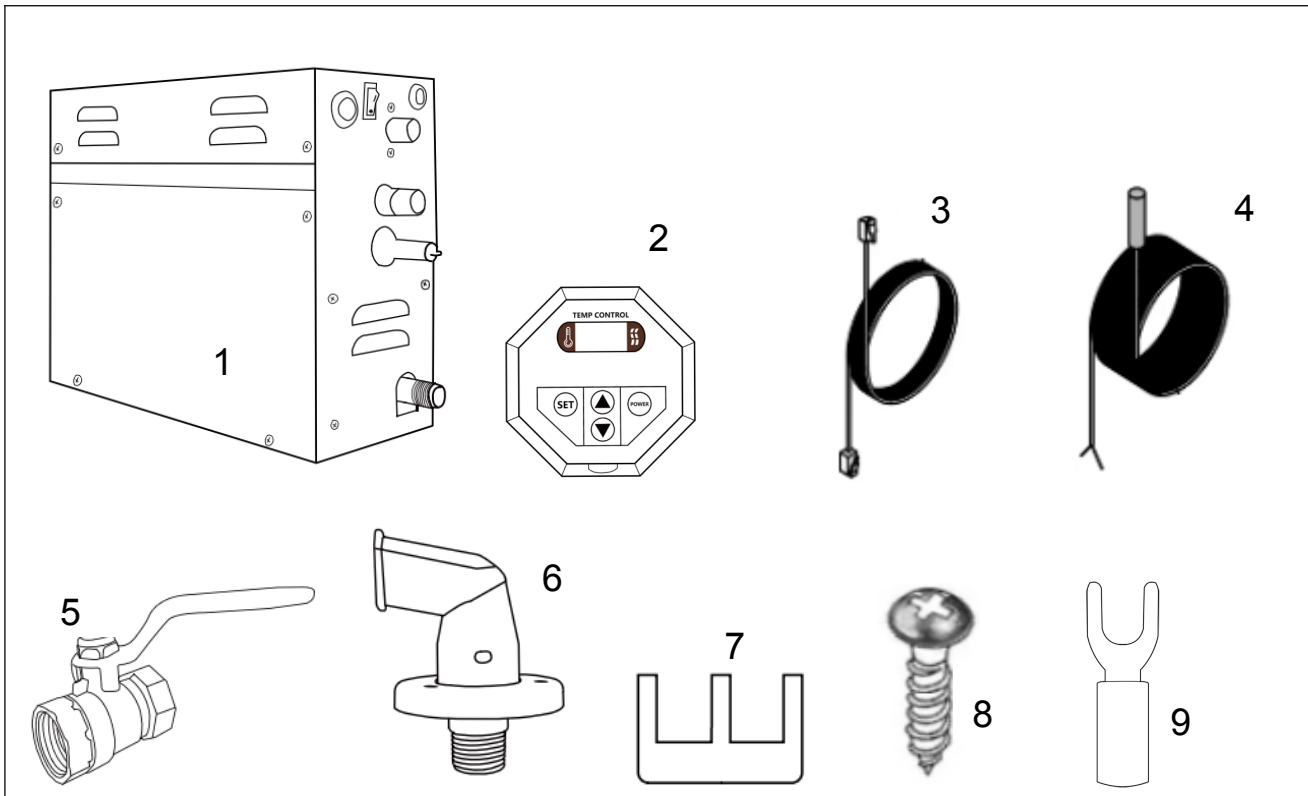
Normally operate the machine once after maintenance and repair as a test.

6.0 Trouble shooting

Symptom	Possible cause	Remedy
No steam while controller has been pressed the "POWER" position	<ol style="list-style-type: none"> 1. steam generator hasn't been connected to the water supply 2. The controller fails to function 3. The steam generator fails to function 4. Drain pipe valve hasn't been shut off 	<ol style="list-style-type: none"> 1.At least 10 minutes wait after the controller opened 2.Check if the power is on and the water supply valve is open 3.Check if the Drain pipe valve of generator is closed
Still produces steam when the controller has been turned off.	<ol style="list-style-type: none"> 1. The controller fails to function. 2. The steam generator fails to function. 	<ol style="list-style-type: none"> 1. Switch off the circuit protector
Water flows out from the steam head	The steam generator fails to function	<ol style="list-style-type: none"> 1.Switch off the circuit protector. 2. Shut off water supply valve

7.0 Before installation

Check that the following parts are included in the packaging:



1.Steam generator

2.Control

3.Connection cable (between control and steam generator)

4.Control temperature sensor cable

5.Drain pipe valve

6.Steam nozzle

7.Connectors x 3 (Pre-installed inside Junction box)

8.Bracket screws x 2 (6*40mm)

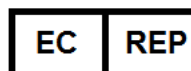
9.Fork terminal x 3

EU Importer: WAITCHX

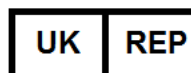
Address: 250 bis boulevard Saint-Germain 75007 Paris

UK Importer: FREE MOOD LTD

Address: 2 Holywell Lane, London, England, EC2A 3ET



EUREP GmbH
Unterlettenweg 1a, 85051 Ingolstadt,
Germany



Acumen IBC Ltd
Ground Floor, 94 Ock Street,
Abingdon, OX14 5DH

Manufacturer:

QINGYUAN FENLE SAUNA & POOL EQUIPMENTS CO., LTD.

Address:

**M1-10, YINGFU INDUSTRIAL PARK, HIGH & NEW TECHNOLOGY
INDUSTRIAL DEVELOPMENT ZONE, CN**