

# **VEVOR<sup>®</sup>**

**TOUGH TOOLS, HALF PRICE**

Technical Support and E-Warranty Certificate [www.vevor.com/support](http://www.vevor.com/support)

## **FRUIT PRESS**

**MODEL:YZQ-6L SC-W12L SC-W18L**

We continue to be committed to provide you tools with competitive price.

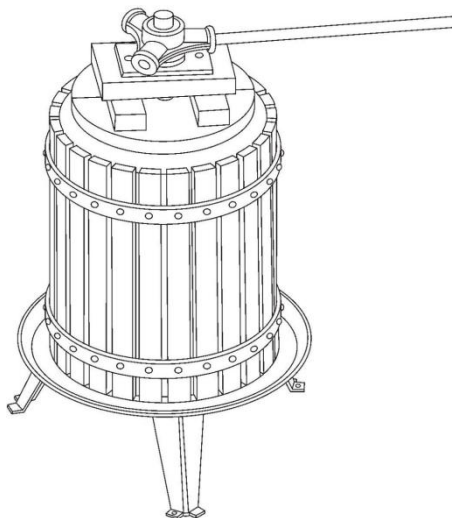
"Save Half", "Half Price" or any other similar expressions used by us only represents an estimate of savings you might benefit from buying certain tools with us compared to the major top brands and does not necessarily mean to cover all categories of tools offered by us. You are kindly reminded to verify carefully when you are placing an order with us if you are actually saving half in comparison with the top major brands.

# VEVOR®

TOUGH TOOLS, HALF PRICE

*Fruit Press*

MODEL:YZQ-6L SC-W12L SC-W18L



## NEED HELP? CONTACT US!

Have product questions? Need technical support? Please feel free to contact us:

✉ [CustomerService@vevor.com](mailto:CustomerService@vevor.com)

This is the original instruction, please read all manual instructions carefully before operating. VEVOR reserves a clear interpretation of our user manual. The appearance of the product shall be subject to the product you received. Please forgive us that we won't inform you again if there are any technology or software updates on our product.

- Presses fruit quickly into juice
- Stable and powerful
- Easy turns on the spindle
- Improving health and quality of life

## **IMPORTANT SAFEGUARDS**

### **WARNING:**

Read and understand all instructions before using this fruit press. The operator must follow basic precautions to reduce the risk of personal injury and/or damage to the equipment.

### **WORK AREA**

1. Operate in a safe work environment. Keep your work area clean, well-lit and free of distractions.
2. Always wear gloves that provide protection based on the work materials or to reduce the effects of tool vibration.. Keep anyone not wearing the appropriate safety equipment away from the work area.
3. Store the new fruit press properly in a safe and dry location to prevent rust or damage. Lock fruit press away and keep out of the reach of children.
4. Always place the fruit press on a level and firm surface.

### **PERSONAL PRECAUTIONS**

Control the fruit press, personal movement and the work environment to avoid personal injury or damage to fruit press.

1. Do not operate any fruit press when tired or under the influence of drugs, alcohol or medications.
2. Avoid wearing clothes or jewelry that can become entangled with a tool's moving parts. Keep long hair covered or bound.

### **SPECIFIC SAFETY PRECAUTIONS**

1. Use the correct fruit press for the job. This fruit press was designed for a specific function. Do not modify or alter this fruit press or use it for an unintended purpose.

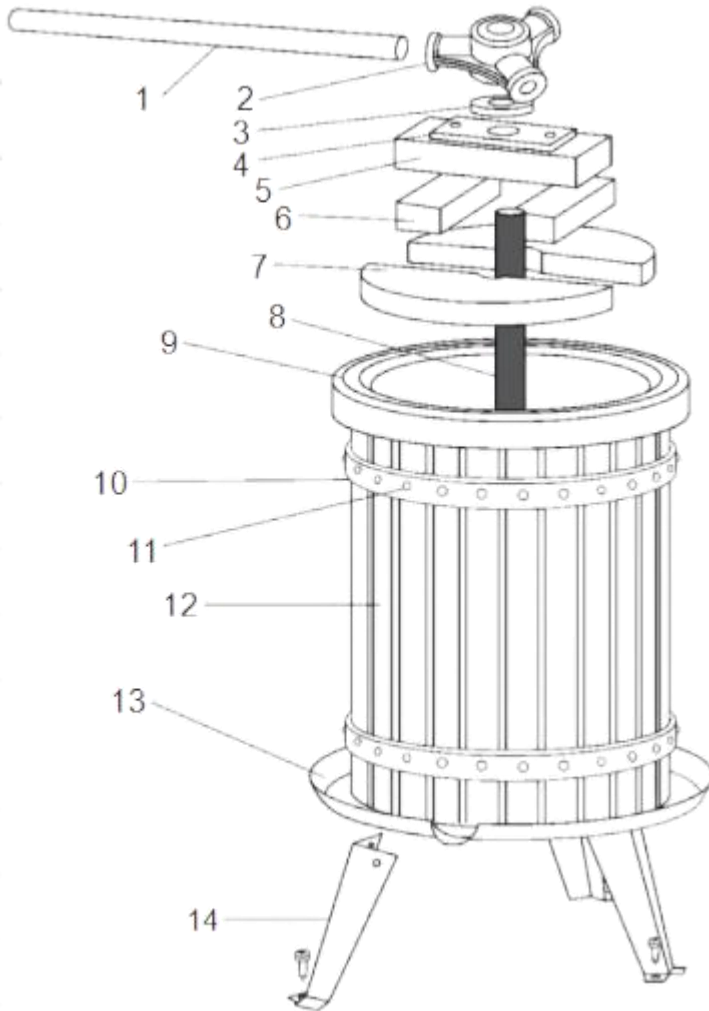
2.The fruit press must be stored in a safe and dry place after use.

**WARNING!**

DO NOT let comfort or familiarity with product (gained from repeated use) replace strict adherence to the fruit press safety rules. If you use this fruit press unsafely or incorrectly, you can suffer serious personal injury.

**PART LIST**

<b>Part No.</b>	<b>Description</b>	<b>QTY</b>
1	Handle	1
2	Trunnion	1
3	Nylon washer	1
4	Metal Pressing Plate	1
5	Wooden Pressing Plate	1
6	Wooden Blocks	See remark
7	Wooden Plate	2
8	Threaded Rod	1
9	Juice Bag	1
10	Metal Ring	See remark
11	Screw	See remark
12	Cage Slat	See remark
13	Base	1
14	Screw,nuts and gaskets	3



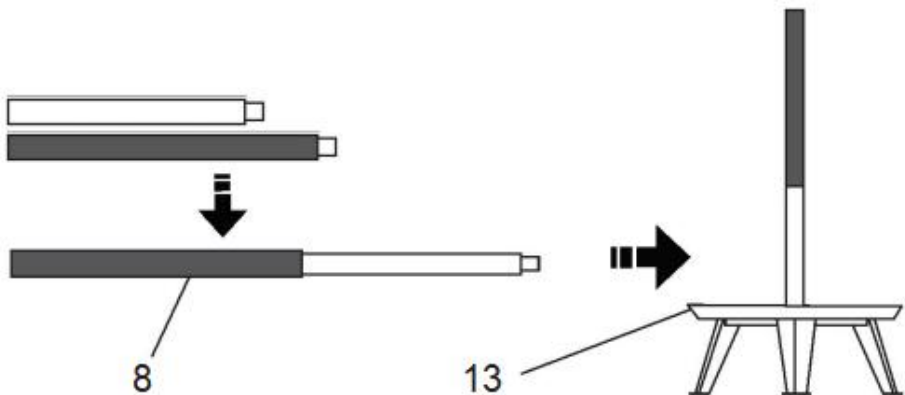
**Remark**

Model#	Part6	Part10	Part11	Part12	Part12
YZQ-6L	6pcs	2pc	45pcs	20pcs	6pcs
SC-W12L	6pcs	2pc	55pcs	25pcs	6pcs
SC-W18L	8pcs	2pc	55pcs	25pcs	6pcs

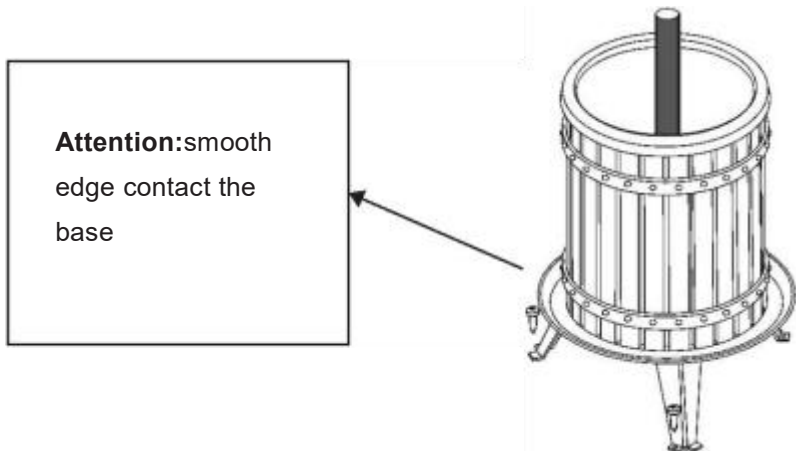
\* Additional parts that may be needed but are not included: additional

wooden blocks and screws to mount feet of base.

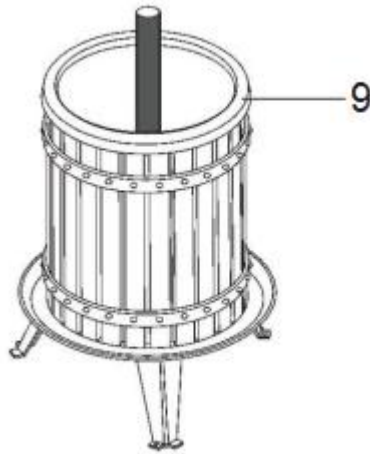
3. Threaded Rod Assembly (8), then mount to the Base (13). NOTE the threaded rod is with two small pieces, should assemble first.



4. The base of the press should be screwed to a firm, solid floor or base, using the holes in the feet. (screw not included)

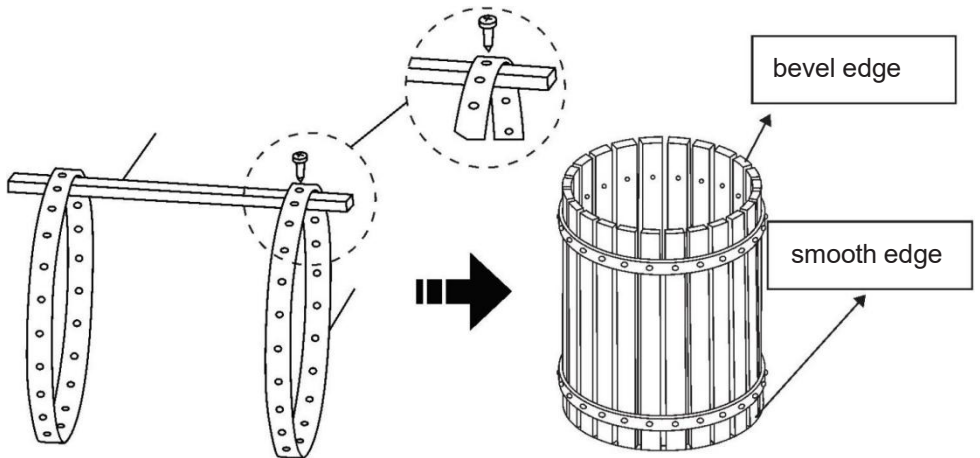


5. Put the Juice Bag (9), containing the chopped fruit, into the wooden barrel and hanging over the sides. Press down the fruit by hand. Harder fruits-apples, pears, etc., should be cut into small pieces and ideally crushed using a fruit crusher or shredder before placing in the bag.

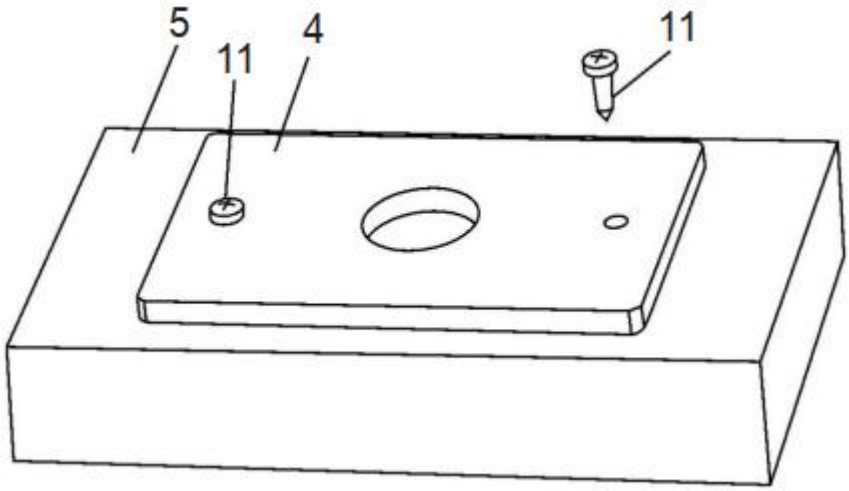


## ASSEMBLY & OPERATION

1. Wooden Barrel Assembly--- Assemble Metal Ring (10) and Cage Slat (12), make sure all Cage Slat (12) with bevel edge are in one direction, the opposite end with smooth edge in line in the opposite side.

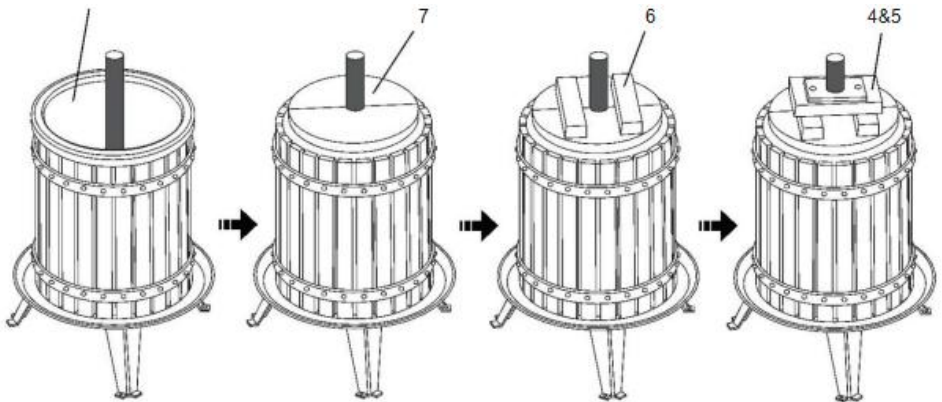


2. Wooden Pressing Plate (5) and Metal Pressing Plate (4) assembly with Screws (11).



6. Place the Wooden Plate / Semi-Disc (7) on top of the fruit, ensuring they are central within the barrel, then add the Wooden Blocks (6), (if there is sufficient room) followed by the Pressing Plate Assembly (4&5) on top of these so it is crossing lengthwise over the wooden plates.

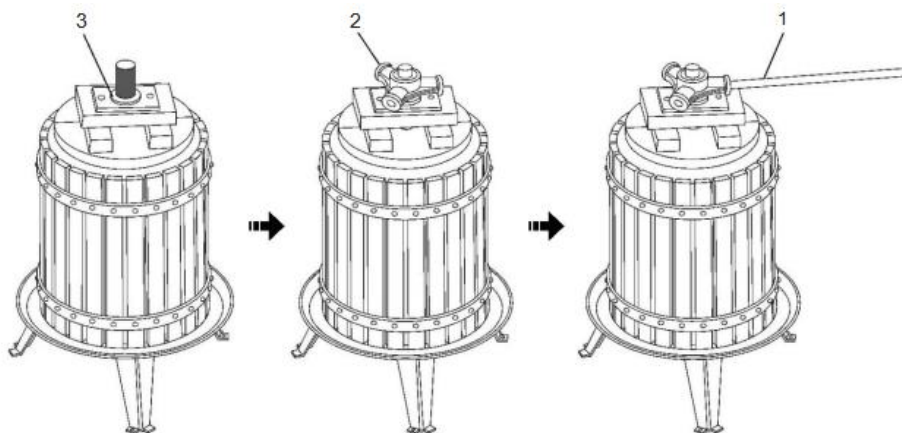
Put chopped fruits inside the bucket



7. Place the nylon washer (3) on top of the Pressure Plate Assembly, as shown in the illustration. Screw on the trunnion (2), push the handle into the trunnion, and



rotate the handle (1) down to press the fruit into the barrel.



\* Attach the legs of the unit to a flat surface and screw before pressing. This will prevent the unit from sliding or tilting over.

\* Do not reach into the press with your hands while the press is turning.

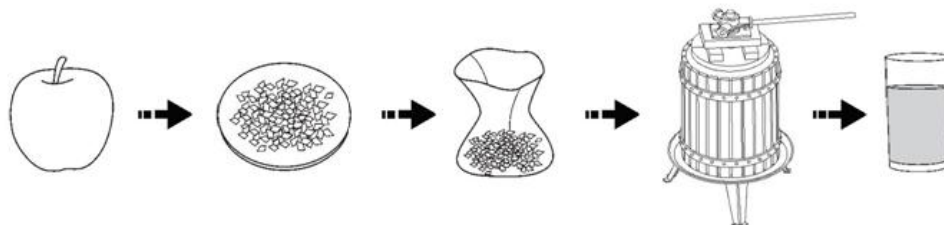
\* Do not alter the handle by making it longer

\* Keep the working area clean.

\* Clean up any spills immediately to eliminate the risk of slipping/falling.

## FRUIT PRESS PROCEDURE

Puree the hard and soft fruit, then put it in a nylon bag, finally, put it in the pot and press by turning the handle.



## **CLEANING AND MAINTENCE**

After use, the complete press must be thoroughly washed in a mild detergent, rinsed in clean water and dried.

If left unused for prolonged periods, coat all metal components with a thin film of Vaseline or food oil and store in a clean, dry environment. Check the press's condition before using it again, and if mould is apparent, wash thoroughly, rinse, dry, and apply a film of fresh food oil to its metal components.

Do not dispose of this product with general household waste at the end of its life.

Before use, all components must be scrupulously clean and all traces of old oil removed to avoid the possibility of contamination of the produce.

8. Never use an extension bar on the handle. Instead, when space allows, the second pair of blocks provided may be inserted to force the Wooden Plates as near the base of the press as possible. If the handle reaches the wooden barrel assembly and pressure still needs to be increased, release the trunnion and re-fill with more fruit or use wooden blocks between the wooden plates and pressing plates. (Additional wooden blocks may be needed and can be made by cutting small blocks of wood or purchased). Finally, place a container beneath the outlet spout in the base (13), ready to collect the juice.

## **DISASSEMBLY**

- \* Disassemble unit by removing handle from the trunnion.
- \* Unscrew the trunnion from the threaded bar.
- \* Remove all wooden blocks and pressing plates.
- \* Barrel can now be lifted from the base.
- \* Unscrew the feet of the base flipping/falling.

## **SAFETY CONSIFERATIONS**

When using this press, it is necessary to follow these safety precautions.

**IMPORTANT:** Crushing the fruits, mainly grapes and apples, may be required before pressing. Crushing can be done by running the fruit through your fruit crusher, shredder, or food mill.

## **SAVE THESE INSTRUCTIONS**

**Address:** Baoshanqu Shuangchenglu 803long 11hao 1602A-1609shi Shanghai

**Imported to USA:** VEVOR STORE INC, 9448 RINCHMOND PL #E  
RANCHO CUCAMONGA, California, 91730 United States of America



Pooledas Group Ltd  
Unit 5 Albert Edward House, The Pavilions  
Preston, United Kingdom



SHUNSHUN GmbH  
Römeräcker 9 Z2021, 76351  
Linkenheim-Hochstetten, Germany

**Made In China**

**VEVOR<sup>®</sup>**

**TOUGH TOOLS, HALF PRICE**

**Technical Support and E-Warranty Certificate**

**[www.vevor.com/support](http://www.vevor.com/support)**