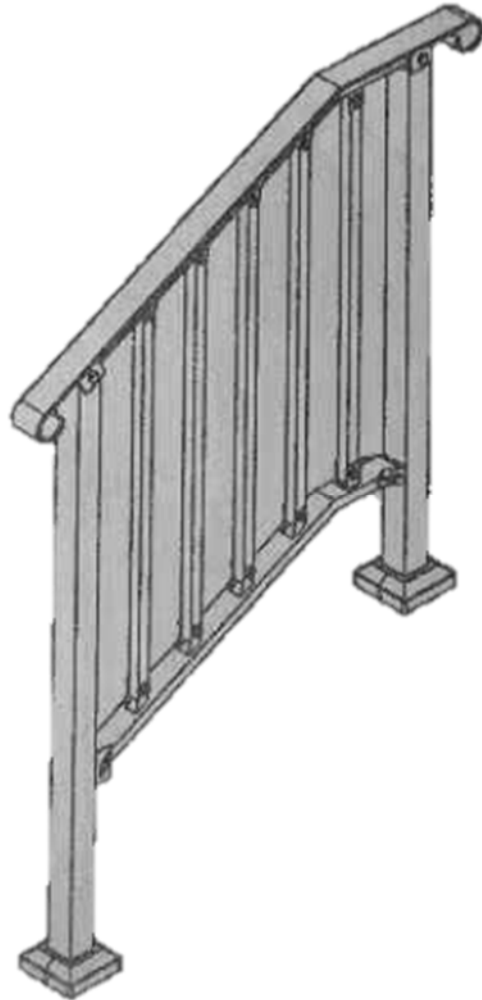
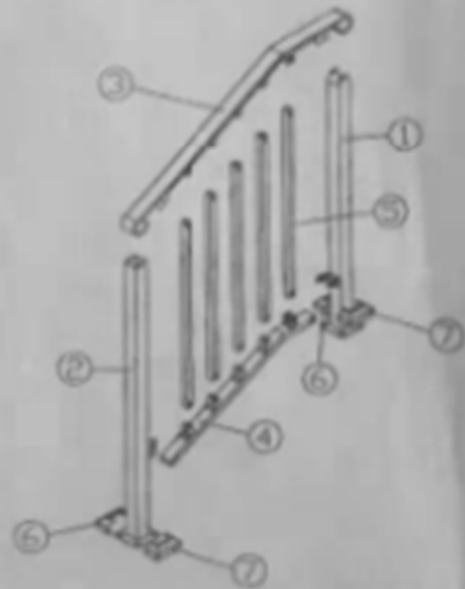


ASSEMBLY INSTRUCTION



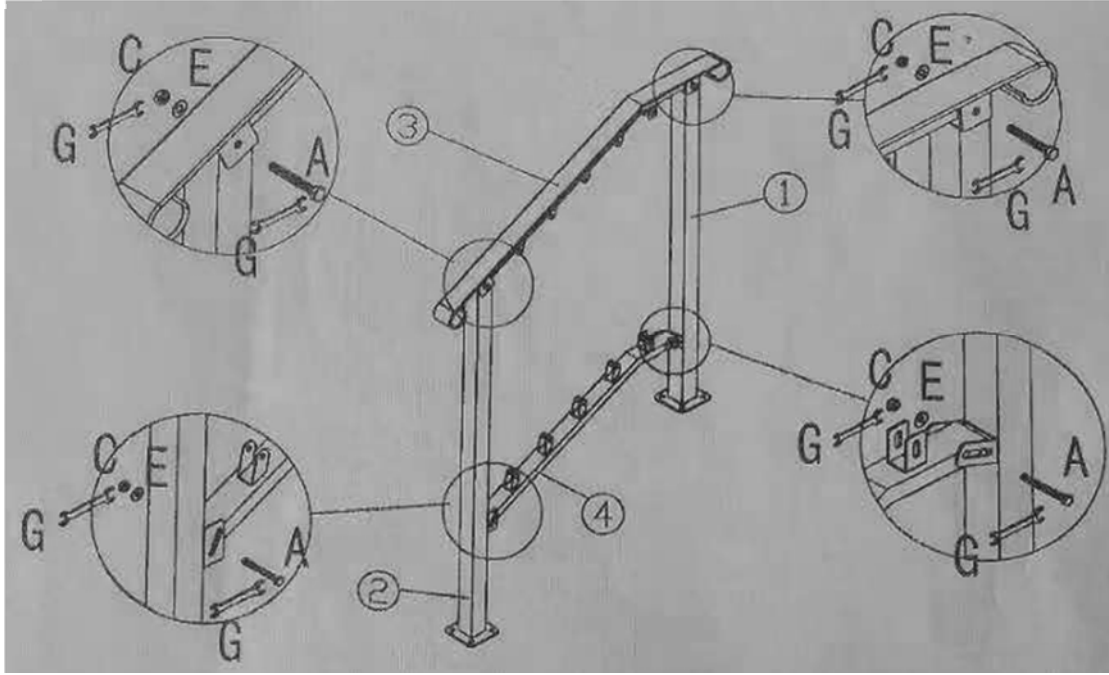
PLEASE DO NOT TIGHTEN THE SCREWS UNTIL YOU
FINISH THE LAST STEP OF ASSEMBLE



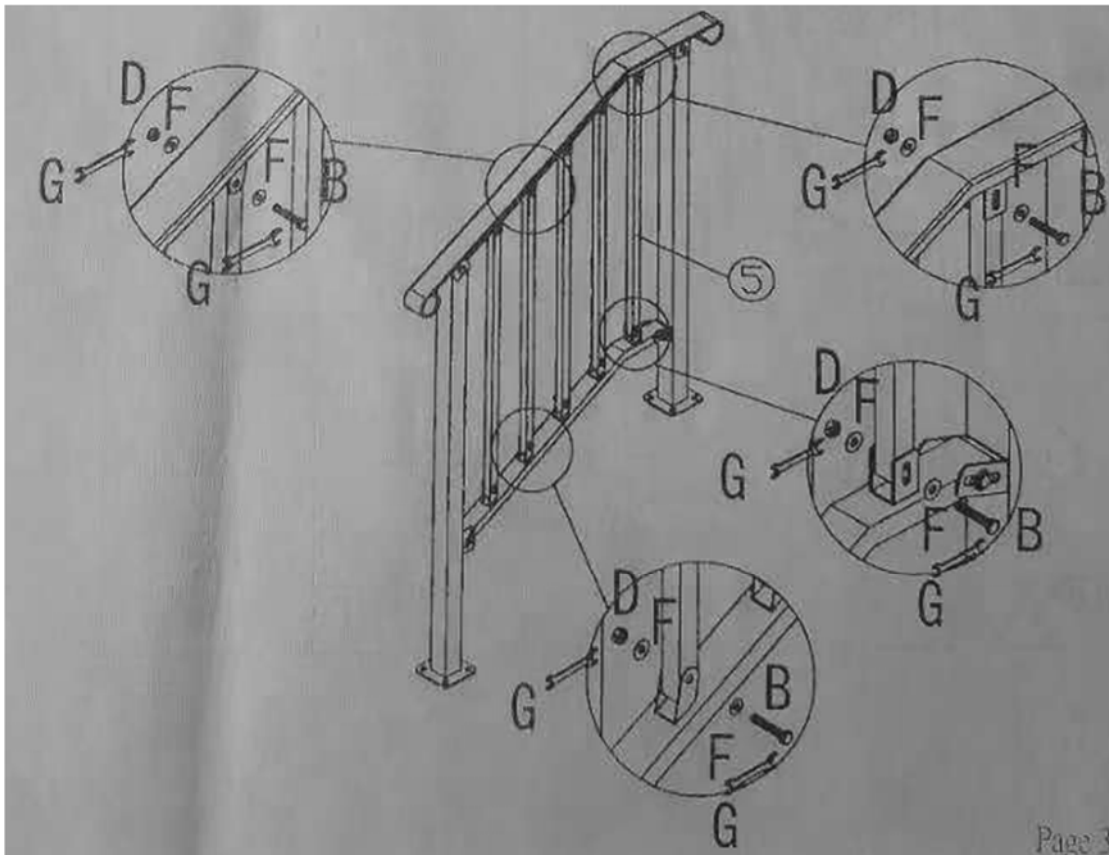
<p>A</p>  <p>M8*60MM 4PCS</p>	<p>B</p>  <p>M6*35MM 16PCS</p>	<p>C</p>  <p>M8 4PCS</p>	<p>D</p>  <p>M6 16PCS</p>	<p>E</p>  <p>M8 4PCS</p>
<p>F</p>  <p>M6 32PCS</p>	<p>G</p>  <p>2PCS</p>	<p>H</p>  <p>M8 8PCS</p>	<p>I</p>  <p>1PC</p>	

Page 2 of 4

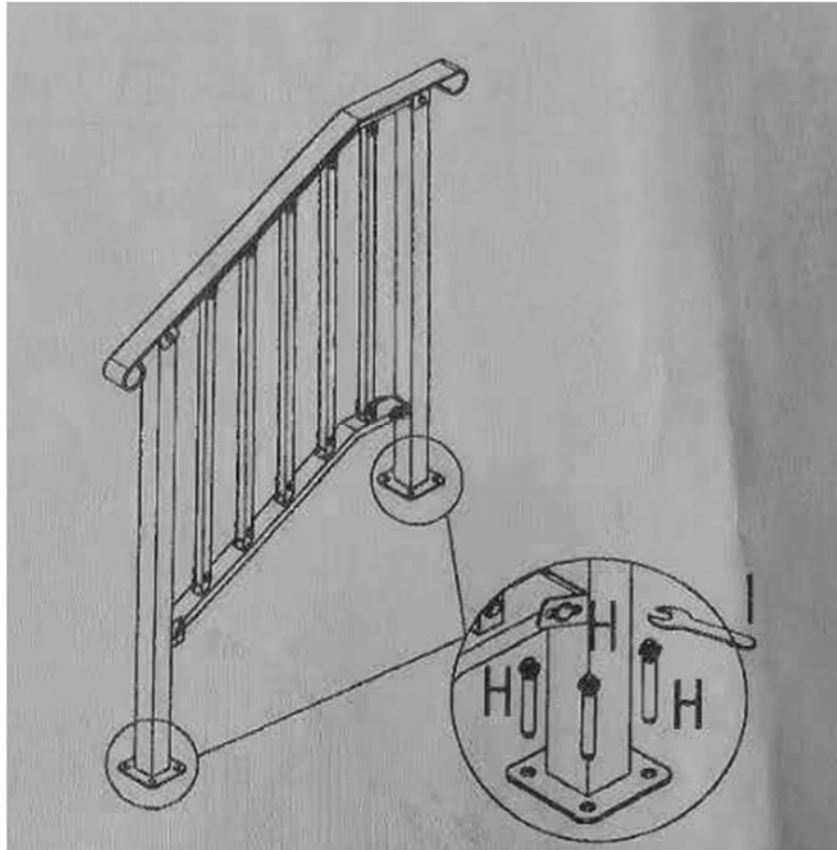
STEP1



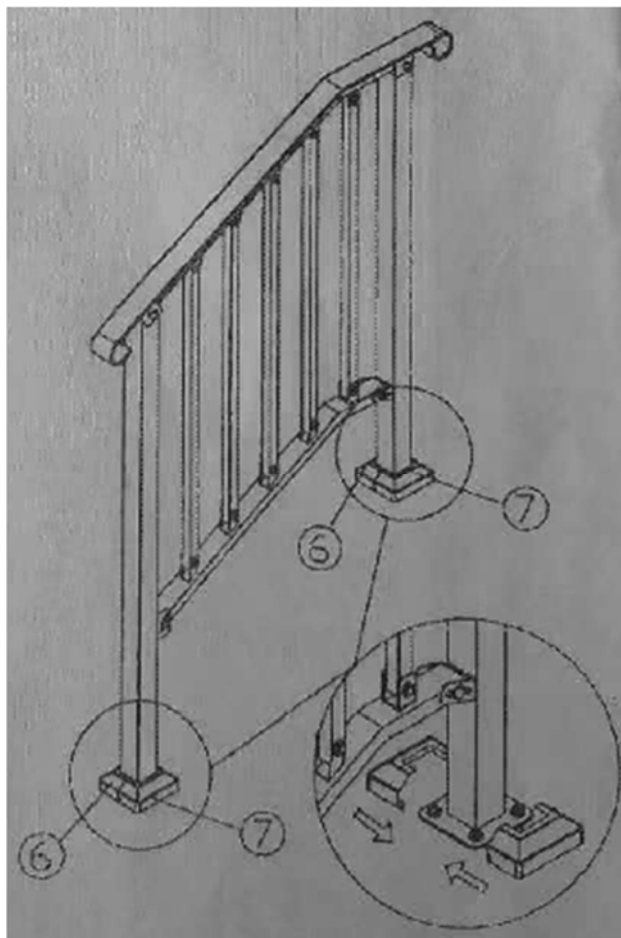
STEP2



STEP3



STEP4



TIGHTEN ALL SCREWS