

Thank you for choosing our products, so you can get our comprehensive technical support and service guarantee

Product Description: This tool is suitable for one-time forming and slotting of old fire brick, cement brick, light brick, concrete wall (ground) and cutting of granite, marble, ceramic tile and other building materials.

This slotting machine is the eighth generation product, which has the following remarkable characteristics compared with the previous generations:

1. Under the same efficiency, the weight is lighter. The net weight of the whole machine is 62 kg, 3 kg lighter than that of previous generations, It greatly reduces the labor intensity of users, but the groove depth and width are deeper and wider than those of previous generations
2. 160 rotating auxiliary handle, more suitable for use in various complex places
3. Maintenance is more convenient and fast.
4. The unique waterproof design greatly improves the service life of the machine and makes the operation safer.
5. The rotatable rear handle is more in line with the principle of ergonomics, and the grip is more labor-saving and safe.
6. 75-330 angle cutting at will, competent for all complex places.
7. The tool is designed to be suitable for two and one operations with water and dust collection, which greatly reduces the dust and water operation of cutting operation, effectively prolongs the service life of saw blade, and further reduces the cost of slotting
8. Equipped with water pump and leakage protection plug to make slotting easier and safer.
9. Turn over protective cover, which can effectively protect people from gravel and dust. The disadvantages of the traditional slotting machine protective cover being stuck by gravel and sediment are completely avoided.

1、 Technical parameters

Model	k110D	k110E
Voltage/frequency	220VAC/50-60Hz	220VAC/50-60Hz
Rated power	2700W	2700W
Maximum load power	4800W	5800w
Speed	5000r / min	5000r / min
Specification of cutting piece	Φ 133x Φ 20x4.5	Φ 160x Φ 22.2x2.4
Maximum cutting capacity	42mm wide x 41mm deep	38mm wide x 52mmdeep
Net weight	6.2kg	6.5kg

2、 Symbol description



: warning symbol refers to any operation not in accordance with the operating procedures in this manual, which will cause personal injury or machine damage.



: anti electric shock symbol refers to any operation not in accordance with the operating

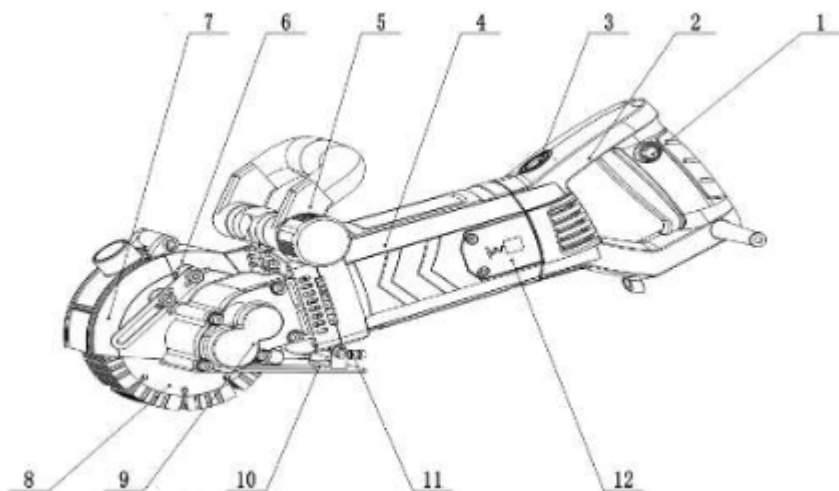
procedures in this manual, which will cause electric shock Strike damage.



: Fire symbol refers to any operation not in accordance with the operating procedures in this manual, which will cause fire

3、 Part name

- | | | |
|------------------|-------------------|-----------------------|
| 1. Switch | 5. Front handle | 9. Bearing seat |
| 2. Handle cover | 6. Head shell | 10. Bottom plate |
| 3. Rotate button | 7. Movable shield | 11. Faucet |
| 4. Casing | 8. Saw blade | 12. Brush cover plate |



4、 Safety operation instructions

1. Working environment:

- (1) The working area shall be kept clean with good lighting and ventilation conditions;
- (2) Do not use the machine in places with inflammable and explosive substances;
- (3) Keep away from children, bystanders and animals when the machine is working;
- (4) Do not use the machine in the place where the human body is suspended.

2. Electrical safety

- (1) The leakage protection plug is selected for this machine. Please operate according to the warning label on the plug;
- (2) The type of socket connected to the power supply shall match the plug provided by the machine, and the plug structure is not allowed. Make any modification and use the machine under the condition of power supply with grounding wire;
- (3) Do not use the machine outside in rainy days;
- (4) Do not use the power cord to pull the machine so as to avoid poor contact and failure to work properly;
- (5) The power line shall not contact with heat, oil, sharp substances and moving parts;
- (6) When the machine is used outdoors, please use the outdoor power line extending more than 4mm, and keep the connection reliable;
- (7) After the machine is turned on, any part of the body shall not contact the wall surface.

3. Personal safety:

(1) When operating the machine, keep alert at all times. Do not use the machine in the state of fatigue, alcohol, drugs or drug treatment, so as to avoid accidents caused by inattention during operation

(2) During operation, please use protective equipment, such as dust mask, goggles, earmuffs, etc., to prevent splashing sand and dust from hurting eyes, face or hearing due to strong noise

(3) Avoid accidental start-up. Before turning on the power, make sure that the switch of the machine is off. After confirming that there is no mistake and connecting the power supply, do not immediately put your finger on the button of the switch to prevent accidents.

(4) Before starting the machine, also check that the adjusting lock wrench and tools are disengaged from the machine.

(5) During operation, the body should not stretch forward excessively, please keep the balance of the body at all times

(6) During operation, please do not wear loose clothes or hand ornaments. Users with long hair should put their hair into the protective cap to avoid touching moving parts and causing accidents

5、 Use and precautions of the machine:

(1) Check the safety of the power supply before use. Poor socket and power cord may cause poor contact, which is serious ,It may cause electric shock, fire and other accidents;

(2) In slotting operation, it is necessary to keep straight and constant speed, so as to maximize cutting efficiency

(3) The operator shall wear insulated gloves and insulated shoes when using the cutting operation with water, so as to avoid touching Occurrence of electric accident

(4) The efficiency and accuracy of slotting can be improved by marking the guide line on the working surface

(5) This machine is a high-power cutting tool, and the load is heavy during the working process. Therefore, each joint should be checked before use,Only when the connecting parts are firm and reliable can they be used;

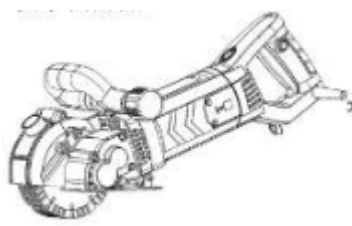
(6) In case of no water cutting operation, dust removal equipment shall be equipped additionally, so as to ensure a good working environment

(7) When cutting the corners of the machine, open the shield, pay special attention to the prevention of flying sand It is very dangerous to carry out slotting operation without protection, which will cause personal injury in serious cases.

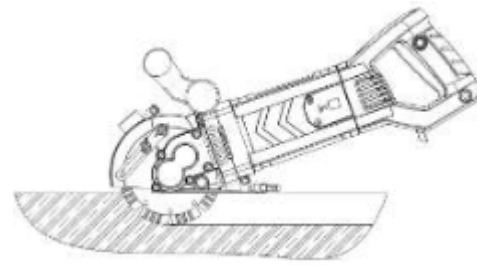
(8) When using the water pump to slot the wall, please pay attention to opening from top to bottom, and do not let the water flow Into the fuselage.

6、 Operation instruction diagram:

A. operate as shown in (Fig. 1) when slotting straight face: Side handle forward (1)



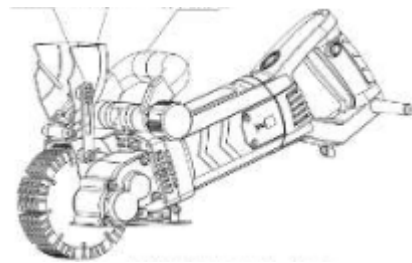
Status with shield closed



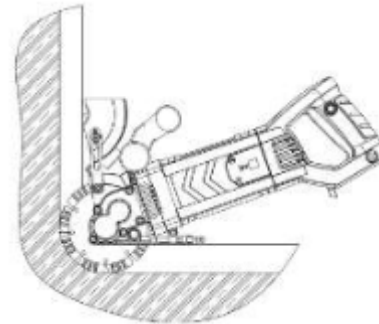
For cutting (slotting) flat walls when the enclosure is closed

B. When the corner is slotted, operate as shown in Figure 2

Figure 2



Status of shield when turning over



It is used to cut the corner of end face during rotation protection

7、 Use of water pump

1. Insert the head of the water pipe into the faucet on the machine
2. The other end of the water pipe is inserted into the water outlet of the water pump
3. Put the whole water pump into the bucket with water and plug in the 220V power supply to use it

7、 Replace the cutting piece, as shown in the figure, disassembly and assembly:

1. Disassembly tool
2. Open the cover
3. Loosen the screw and turn over the movable shield



4. Release counter clockwise

5. Take out the pressing plate and saw blade



6. Take out the spacer between the saw blades



7. Install in reverse order of disassembly and complete replacement. (lock clockwise)



9. Maintenance of the machine

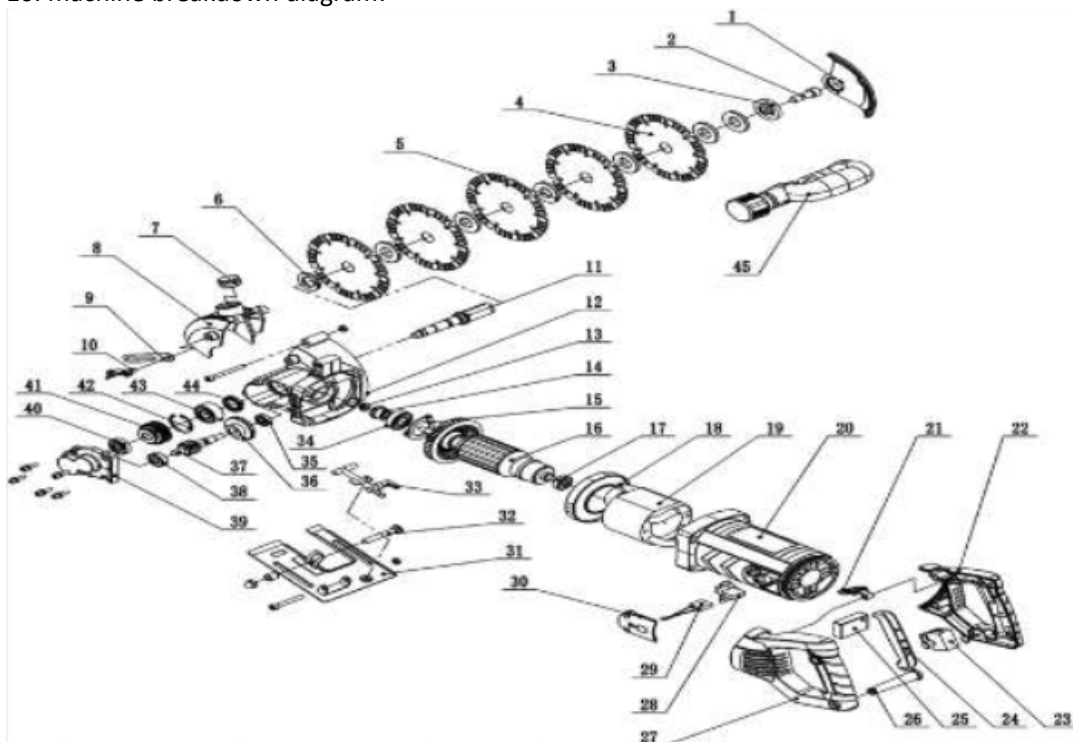
Before any maintenance of the machine, the power must be disconnected and the plug must be pulled out!

(1) This machine is manufactured according to safety standards. If the machine fails, please do not dismantle it by yourself, The maintenance department entrusted by the company or qualified professional maintenance personnel must be invited to carry out the repair. Otherwise, it will bring you danger.

(2) During maintenance, the required parts must be the spare parts provided by our company, otherwise the machine will be damaged or personal injury will be caused.

(3) After each use of the machine, be sure to clean up the sand and dust on the machine and keep it open Close, plug, handle and other operating parts dry, and store them in a place that children can't get and can keep dry, so as to avoid rust on the machine and normal operation or accidents.

10. machine breakdown diagram:



No.	Name	quantity	No.2	name2	quantity2
1	Side cover	1	24	switch button	1
2	Socket head cap screw m10x25	1	25	Soft start	1
3	Upper pressing plate	1	26	Wire sheath	1
4	Saw blade	5	27	Left handle	1
5	Shim	7	28	Brush holder	2
6	Lower platen	1	29	Carbon brush	2
7	Rubber plug	1	30	Brush holder cover	2
8	protection cover	1	31	floor	1
9	Stop block	1	32	Carriage screw	1
10	Butterfly screw	2	33	water tap	1
11	output shaft	1	34	Bearing 6202	1
12	Head shell	1	35	Bearing 608	1
13	Locknut M8	1	36	Large umbrella tooth	1
14	Lesser fimbriate tooth	1	37	Tooth axis	1
15	202 pressure plate	1	38	Bearing 6000	1
16	rotor	1	39	Bearing seat	1
17	Bearing 629	1	40	Bearing 6200	1
18	Air guide ring	1	41	Big tooth	1
19	stator	1	42	Retaining ring for hole	1
20	Case	1	43	Bearing 3202	1
21	Rotate button	1	44	Skeleton oil seal	1
22	Right handle	1		Side handle assembly	
23	switch	1			