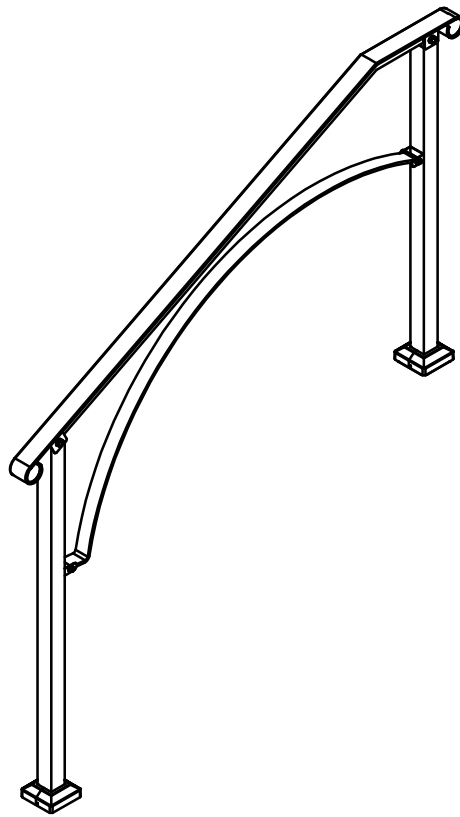
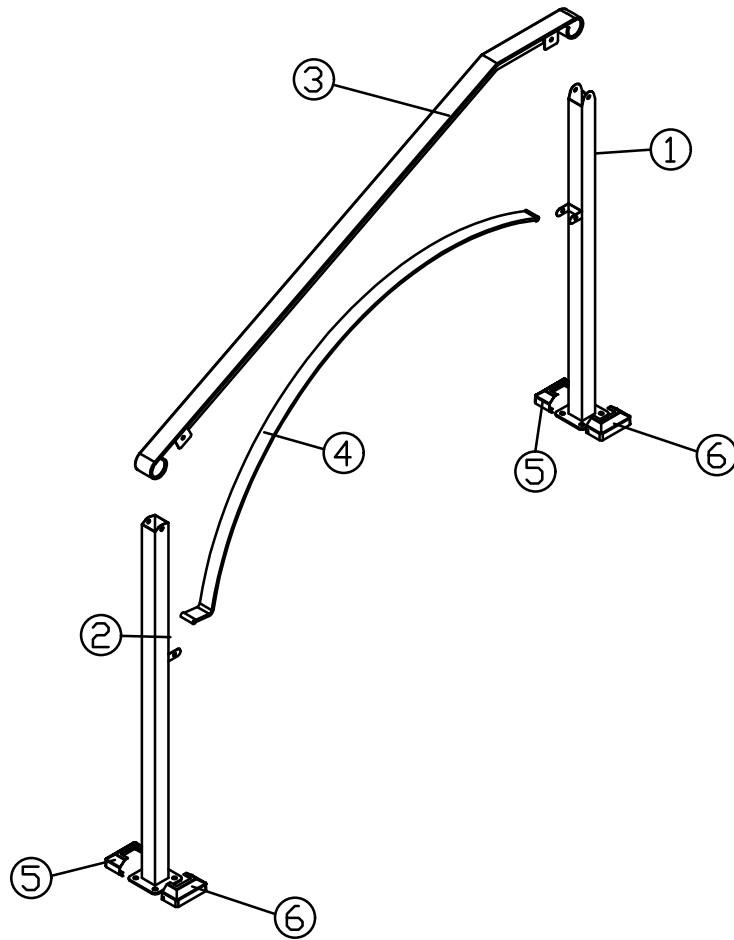
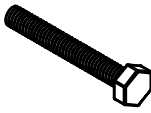
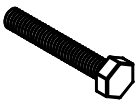




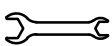

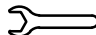


ASSEMBLY INSTRUCTION

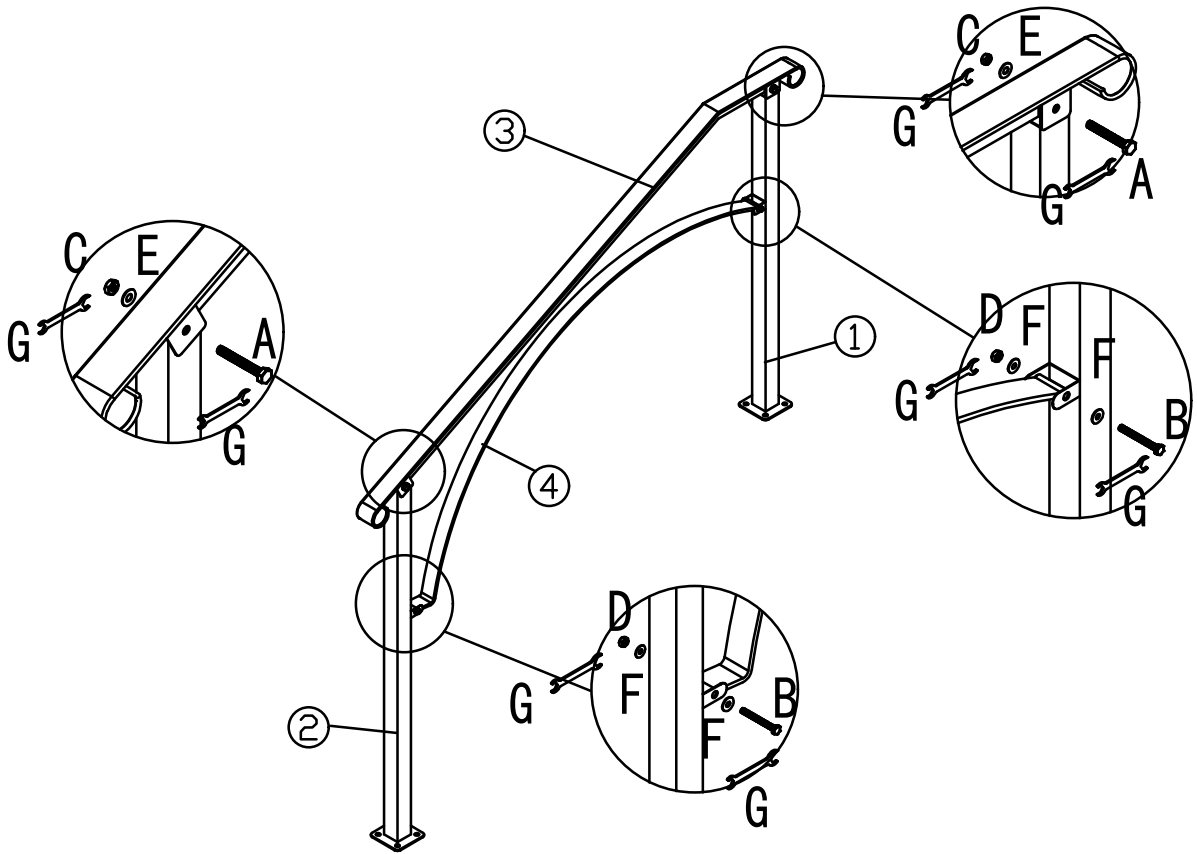


PLEASE DO NOT TIGHTEN THE SCREWS UNTIL YOU FINISH THE
LAST STEP OF ASSEMBLE

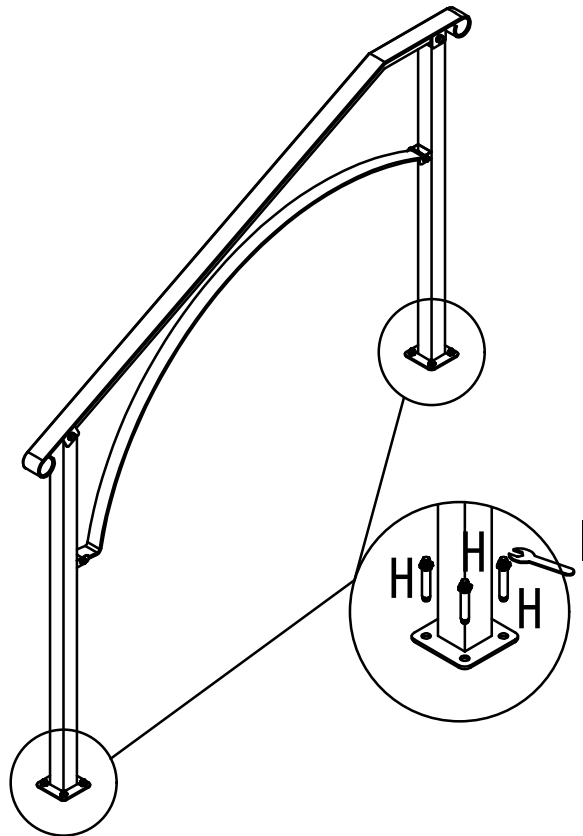


<p>A</p>  <p>M8*60MM 2PCS</p>	<p>B</p>  <p>M6*55MM 2PCS</p>	<p>C</p>  <p>M8 2PCS</p>	<p>D</p>  <p>M6 2PCS</p>	<p>E</p>  <p>M8 2PCS</p>
<p>F</p>  <p>M6 4PCS</p>	<p>G</p>  <p>2PCS</p>	<p>H</p>  <p>M8 8PCS</p>	<p>I</p>  <p>1PC</p>	

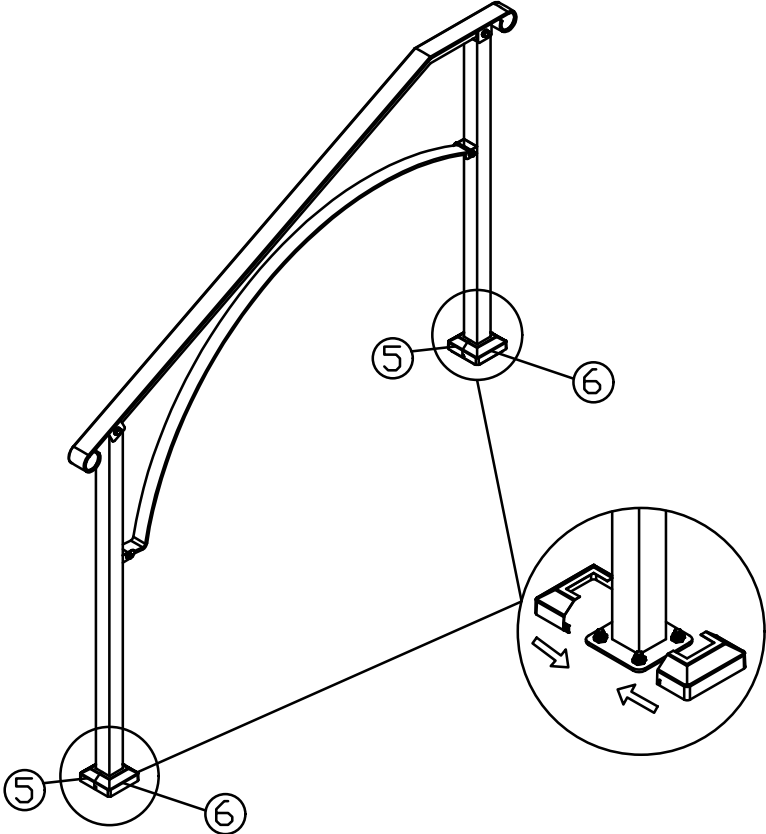
STEP 1



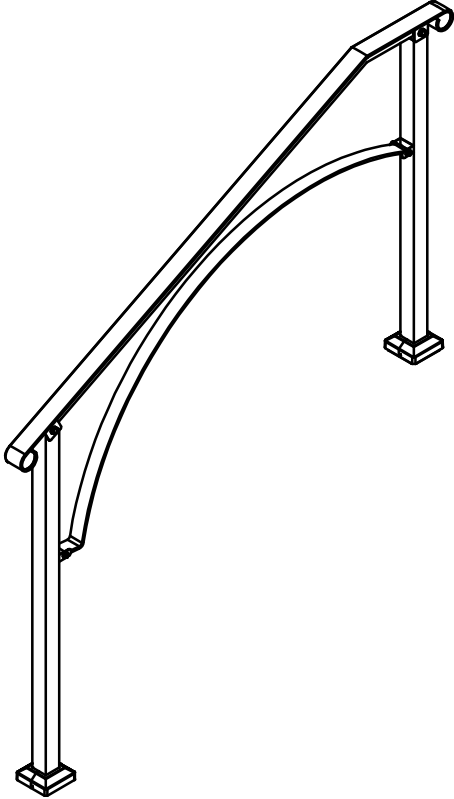
STEP 2



STEP 3



STEP 4



TIGHTEN ALL SCREWS