

VEVOR[®]

TOUGH TOOLS, HALF PRICE

Technical Support and E-Warranty Certificate www.vevor.com/support

TELESCOPIC LADDER

MODEL:DLT215F/DLT218F

We continue to be committed to provide you tools with competitive price.

"Save Half", "Half Price" or any other similar expressions used by us only represents an estimate of savings you might benefit from buying certain tools with us compared to the major top brands and does not necessarily mean to cover all categories of tools offered by us. You are kindly reminded to verify carefully when you are placing an order with us if you are actually saving half in comparison with the top major brands.

VEVOR®

TOUGH TOOLS, HALF PRICE

TELESCOPIC LADDER

MODEL:DLT215F/DLT218F



NEED HELP? CONTACT US!

Have product questions? Need technical support? Please feel free to contact us:

 [**CustomerService@vevor.com**](mailto:CustomerService@vevor.com)

This is the original instruction, please read all manual instructions carefully before operating. VEVOR reserves a clear interpretation of our user manual. The appearance of the product shall be subject to the product you received. Please forgive us that we won't inform you again if there are any technology or software updates on our product.

CAUTION: Please read ALL instructions before using!!

Before Using

1. Ensure that you are fit enough to use the ladder. Certain medical conditions, medication, alcohol, or drug abuse could make ladder use unsafe. The weight capacity is 420 lbs.
2. When transporting ladders on the roof bars of a vehicle, ensure that it is suitably placed to prevent damage.
3. Inspect the ladder after delivery and before first use to confirm the condition and operation of all parts.
4. Visually check the ladder is not damaged and is safe to use whenever using.
5. For professional users, regular periodic inspection is required.
6. Ensure the ladder is suitable for the task.
7. **DO NOT USE A DAMAGED LADDER!**
8. Remove any contamination from the ladder. Such as wet paint, mud, oil, or snow.
9. Before using the ladder at work, a risk assessment should be carried out respecting the legislation in the country of use.

Positioning and Erecting the Ladder

1. Incline angle should not exceed 75 degrees.
2. Ladder shall be on an even, level, and unmovable base.
3. Leaning ladder should be leaned against a flat non-fragile surface and secured before use, e.g., tied or use a suitable stability device.
4. When positioning the ladder, consider the risk of a collision with the

ladder, i.e., from pedestrians, vehicles, or doors(no fire exists) and windows in the work area.

5. Identify any electrical risk areas where the ladder is used, such as overhead lines or exposed electrical equipment.

6. Ladder shall be on its feet, not the rungs or steps.

7. Ladders shall not be positioned on slippery surfaces (such as ice, shiny waxed surfaces, or significantly contaminated solid surfaces)unless additional effective safety measures are taken to prevent the ladder from slipping or ensure contaminated surfaces are sufficiently cleaned.

Using the Ladder

1.DO NOT EXCEED THE MAXIMUM TOTAL LOAD (420 lbs).

2. DO NOT overreach. Users should keep their buckle(navel) inside the stiles and both feet on the same step/rung while working.

3.DO NOT step off a leaning ladder at a higher level without additional security, or use of a suitable stability device.

4.DO NOT use standing ladders of access to another level.

5.DO NOT stand on the top three steps/rungs of a leaning ladder

6. Ladders should ONLY be used for light work of short duration.

7. DO NOT use the ladders outside in adverse weather conditions, such as strong winds.

8. TAKE PRECAUTIONS AGAINST CHILDREN PLAYING AROUND THE LADDER.

9. Face the ladder when ascending and descending.

10. Keep a secure grip on the ladder when ascending and descending.

11. DO NOT use the ladder as a bridge.

12. Wear suitable footwear when using the ladder.

13. Avoid excessive side loading(i.e.drilling brick and concrete).

14. DO NOT spend long on a ladder without regular breaks(fatigue is a safety risk).

15. Leaning ladders used for access to a higher level should be extended at least 1m above the landing point.

16. Equipment carried while using a ladder should be light and easy to handle.

Open the Ladder

Note:The actual number of ladder steps shall prevail in kind.

Automatic locking: Each step/rung of your ladder has 2 locking pins that blocked. They are automatically inserted into the slots of the uprights in place when the ladder is extended.

The condition of the lock is of the two black buttons on the side of each rung is displayed:

- Unlocked position(see Picture#1 below): There is a gap between the buttons and the Spar.
- Locked position(see Picture#2 below): The buttons are located directly on to the leg.



1#



2#

Complete Extension of the Ladder:

Note: The actual number of ladder steps shall prevail in kind.

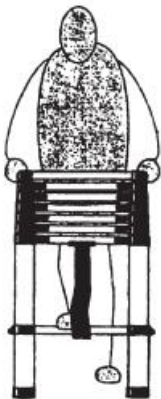
Place the ladder on firm, level ground, and put one foot on the lowest step/rung.

The top-rung off, and check if the buttons are locked (see Picture #2 above). Then, repeat the process with the next lower rungs until the arms are entirely extended (see Pictures #3 and #4).

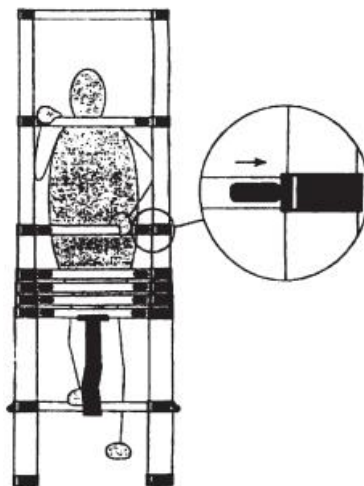
Partial Extension of the Ladder:

- Place the ladder on firm and flat ground, move one foot on the lowest rung
- the lowest rung off and check if the buttons are locked (see Picture #2 above). Repeat the process with each of the next higher rung, until the arms are completely extended.

Caution: Always check that all buttons on the exact position are "locked", before you climb on the ladder.



3#



4#

Partial Extension of the Ladder:

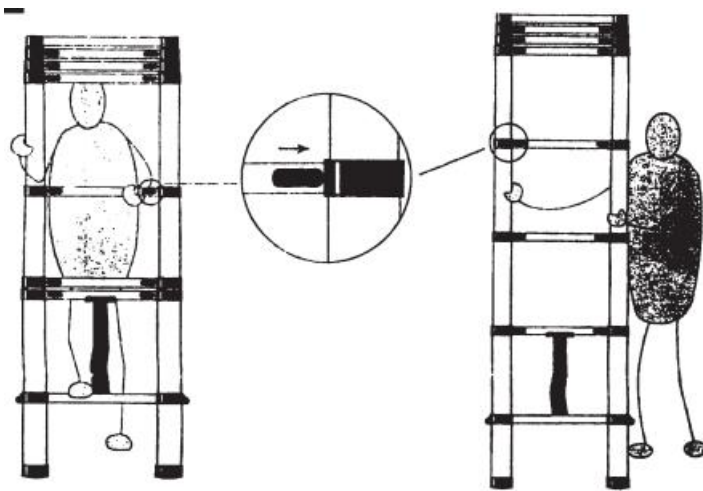
Put the ladder on a firm, level ground, and move one foot on the lowest rung.

- The lowest rung off and check if the buttons are locked(see Picture#2 above). Repeat the process with the next higher rungs until the arms are entirely extended.

Caution: Always check that all buttons are in the " locked " position before climbing the ladder.

Shorten the Ladder:

- Put the ladder on a firm and level ground, shorten the ladder from the lowest rung.
- The two keys to unlock (see Picture #5).



#5

Troubleshooting Instructions

If there is a problem with your telescopic ladder during operation, please check the troubleshooting table below before calling the service department.

Troubleshooting Instructions

Fault Phenomenon	Cause of Issue	Solution
Open the rear ladder to lean left and right.	The section of the ladder does not expand properly.	Take back the ladder and check whether each section is stuck, such as normal shrinkage. Re-open it and make sure that each section is in place (There are lock marks on both sides of the pedal.)

Product Technical Parameters

Product Name	TELESCOPIC LADDER	
Model	DLT215F	DLT218F
Extended Height	15ft	18.5ft
Number of Floors	12Layers	14Layers
Maximum Load Capacity Each Layer	420lbs(190kg)	420lbs(190kg)
Overall Dimensions (L*W*H)	965*480*95mm	1135*480*100mm

Cleaning Instructions

- Store the ladder in the closed position.
- Properly secure and support the ladder while in transit.
- Keep the ladder clean and free from all other harmful materials.

Disposal

Disposal of all packaging, paper, cartons, and plastic, plastic bags according to your local recycling regulations. At the end of the product's lifespan, please dispose of it at an authorized household waste recycling center.

VEVOR[®]

TOUGH TOOLS, HALF PRICE

Technical Support and E-Warranty Certificate

www.vevor.com/support