

VEVOR[®]

TOUGH TOOLS, HALF PRICE

Support and E-Warranty Certificate

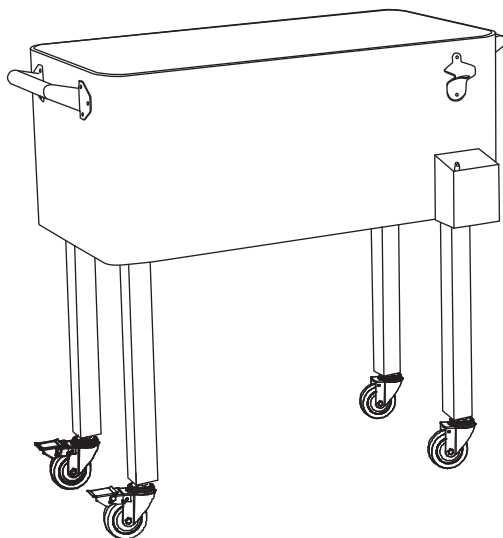
<https://www.vevor.com/support>

Cooler cart user manual

We continue to be committed to provide you tools with competitive price. "Save Half", "Half Price" or any other similar expressions used by us only represents an estimate of savings you might benefit from buying certain tools with us compared to the major top brands and does not necessarily mean to cover all categories of tools offered by us.

You are kindly reminded to verify carefully when you are placing an order with us if you are actually saving half in comparison with the top major brands.

DR120701



NEED HELP? CONTACT US!

Have product questions? Need technical support? Please feel free to contact us:



CustomerService@vevor.com

This is the original instruction, Please read all manual instructions carefully before operating. VEVOR reserves a clear interpretation of our user manual. The appearance of the product shall be subject to the product you received. Please forgive us that we won't inform you again if there are any technology or software updates on our product.

IMPORTANT SAFETY INFORMATION

⚠ WARNING:

Read this material before using this product. Failure to do so can result in serious injury.
SAVE THIS MANUAL

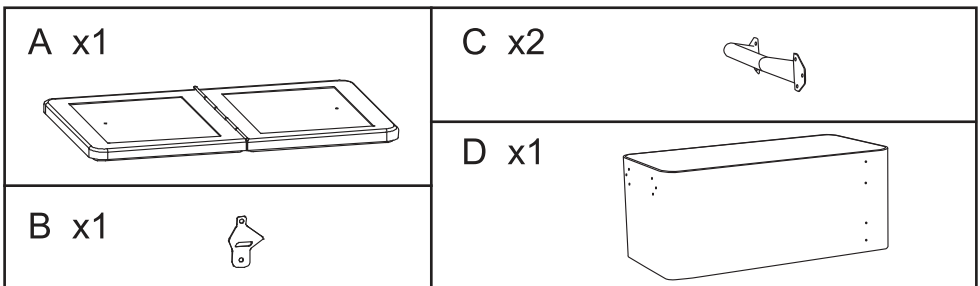
Assembly precautions

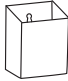
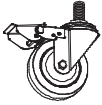







1. Assemble only according to these instructions. Improper assembly can create hazards.
2. Wear ANSI-approved safety goggles and heavy-duty work gloves during assembly.
3. Keep assembly area clean and well lit.
4. Keep bystanders out of the area during assembly.
5. Do not assemble when tired or when under the influence of alcohol, drugs or medication.
6. Weight capacity and other product capabilities apply to properly and completely assembled product only.
7. Assemble on a flat, level, hard and smooth surface capable of safely supporting a fully loaded cooler cart.

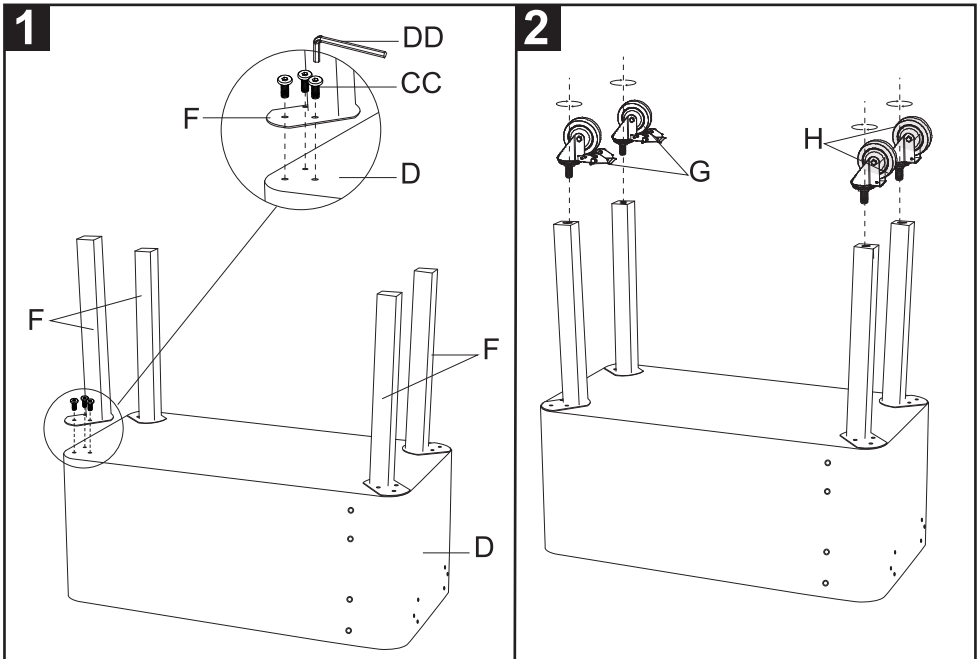
Use precautions

TO PREVENT SERIOUS INJURY AND DEATH FROM TIPPING:

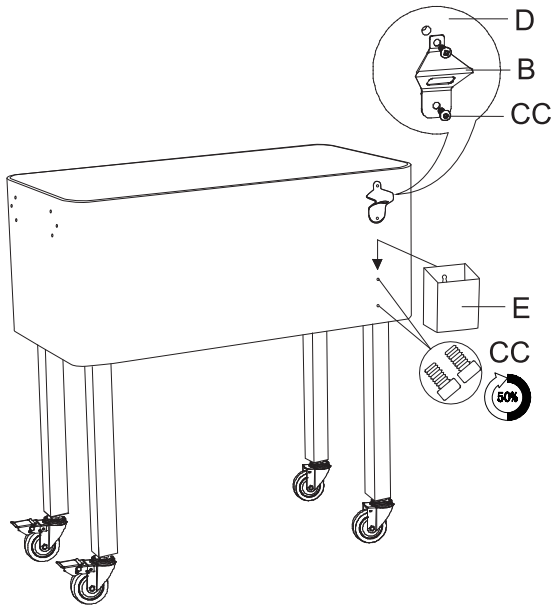
1. DO NOT SIT, STAND OR CLIMB ON THIS ITEM.
2. This product is not a toy nor a toy chest. Do not allow children to play with or near this item.
3. Do not exceed weight capacities, evenly distributed from bottom up. Be aware of dynamic loading! Sudden load movement may briefly create excess load causing product failure. Do not exceed capacity of bench or shelf supporting Top Chest.
4. Use only on a flat, level, hard and smooth surface capable of safely supporting a fully loaded Chest.
5. Do not lift while loaded.
6. To prevent tipping, push/pull using supplied handle only.
7. Use as intended only.
8. Inspect before every use; do not use if parts are loose or damaged.



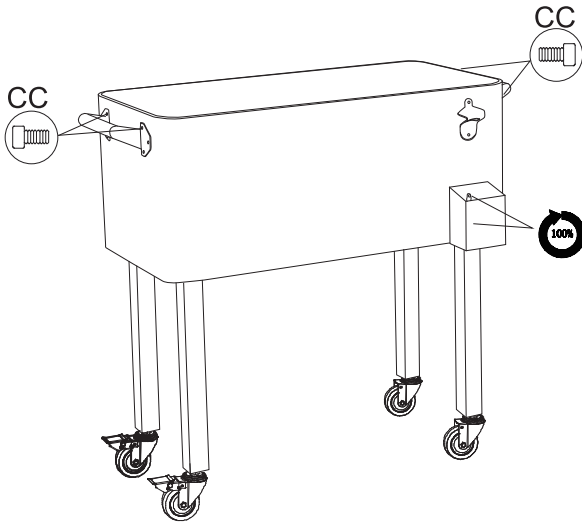
<p>E x1</p> 	<p>G x2</p> 	<p>AA x2</p> 
<p>F x4</p> 	<p>H x2</p> 	<p>BB x2</p>  <p>M5*35mm</p>
<p>CC x28</p>  <p>M6*16mm</p>	<p>DD x1</p> 	<p>EE x1</p> 



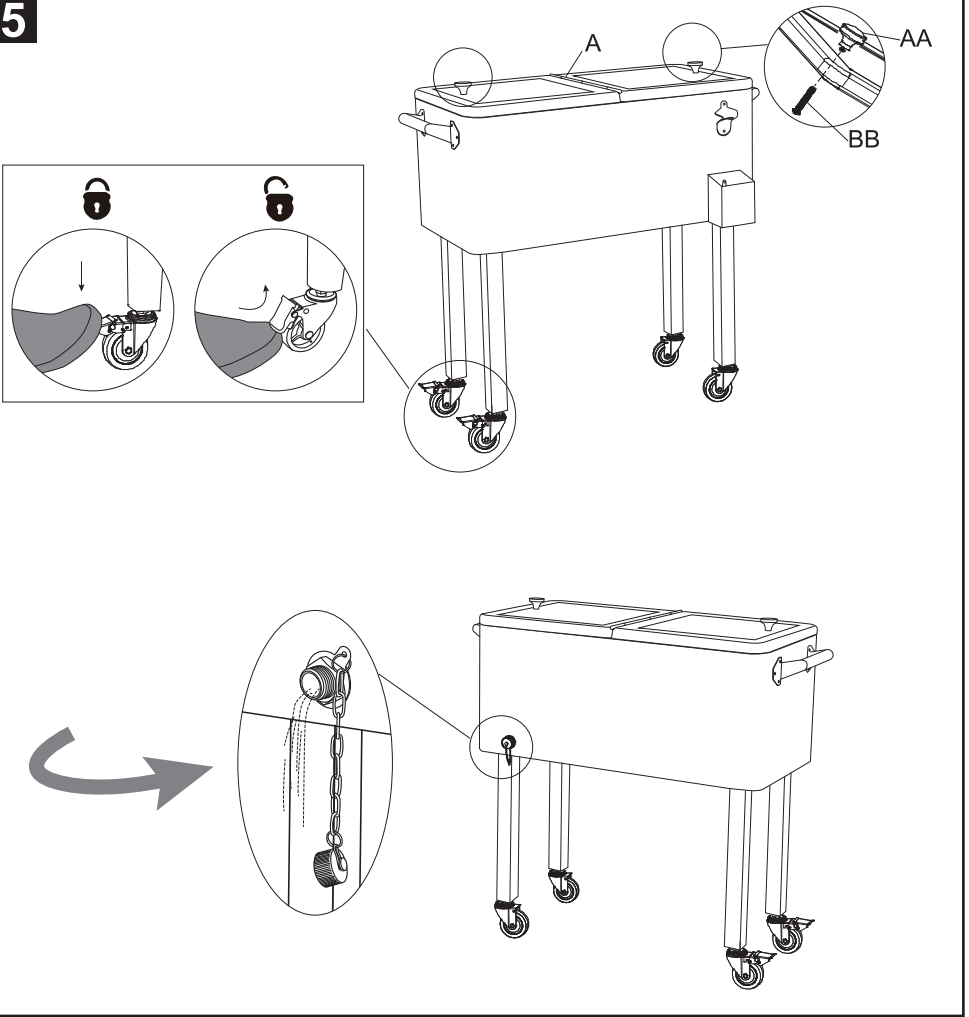
3



4



5



Importer: FREE MOOD LTD
Address: 2 Holywell Lane, London, England, EC2A 3ET
Importer: WAITCHX
Address: 250 bis boulevard Saint-Germain 75007 Paris

UK	REP	EUREP UK LTD UNIT 2264, 100 OCK STREET, ABINGDON OXFORDSHIRE ENGLAND OX14 5DH
-----------	------------	---

EC	REP	EUREP GmbH Unterlettenweg 1a, 85051 Ingolstadt, Germany
-----------	------------	---

Manufacturer: Zhejiang Dongrun Industrial Co., Ltd.
Address: Jindong Industrial Park, Jindong District, Jinhua City, Zhejiang Province.

MADE IN CHINA

VEVOR[®]

TOUGH TOOLS, HALF PRICE

Support and E-Warranty Certificate

<https://www.vevor.com/support>