

# **VEVOR<sup>®</sup>**

## **TOUGH TOOLS, HALF PRICE**

Technical Support and E-Warranty Certificate [www.vevor.com/support](http://www.vevor.com/support)

## **FURNITURE DOLLIES**

**MODEL: LDH07**

We continue to be committed to provide you tools with competitive price.

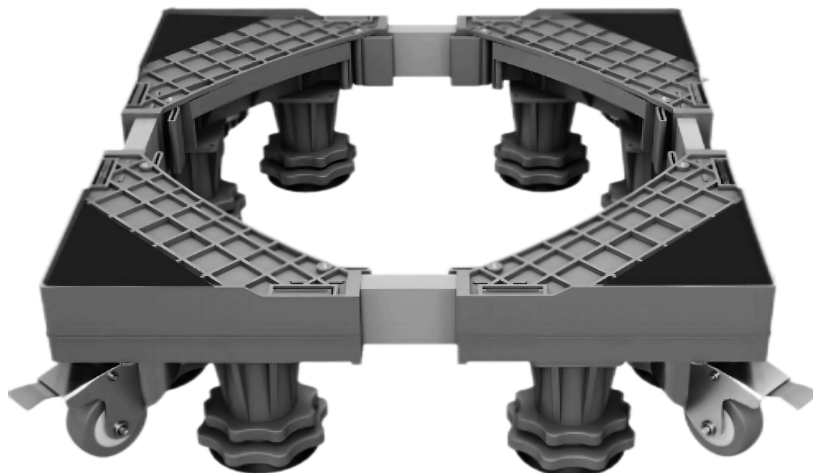
"Save Half", "Half Price" or any other similar expressions used by us only represents an estimate of savings you might benefit from buying certain tools with us compared to the major top brands and does not necessarily mean to cover all categories of tools offered by us. You are kindly reminded to verify carefully when you are placing an order with us if you are actually saving half in comparison with the top major brands.

# VEVOR<sup>®</sup>

TOUGH TOOLS, HALF PRICE

## FURNITURE DOLLIES

MODEL: LDH07



### NEED HELP? CONTACT US!

Have product questions? Need technical support? Please feel free to contact us:

**Technical Support and E-Warranty Certificate**  
[www.vevor.com/support](http://www.vevor.com/support)

This is the original instruction, please read all manual instructions carefully before operating. VEVOR reserves a clear interpretation of our user manual. The appearance of the product shall be subject to the product you received. Please forgive us that we won't inform you again if there are any technology or software updates on our product.

## **SAFETY INSTRUCTIONS**

### **WARNING:**

1. Please do not put it near flammable materials.
2. It is forbidden to carry people under any condition.
3. This product cannot be used to go up or down stairs.
4. Overload is strictly prohibited.
5. Don't move too fast when passing pothole areas.

### **SAVE THESE INSTRUCTIONS**

## **MODEL AND PARAMETERS**

Model: LDH07

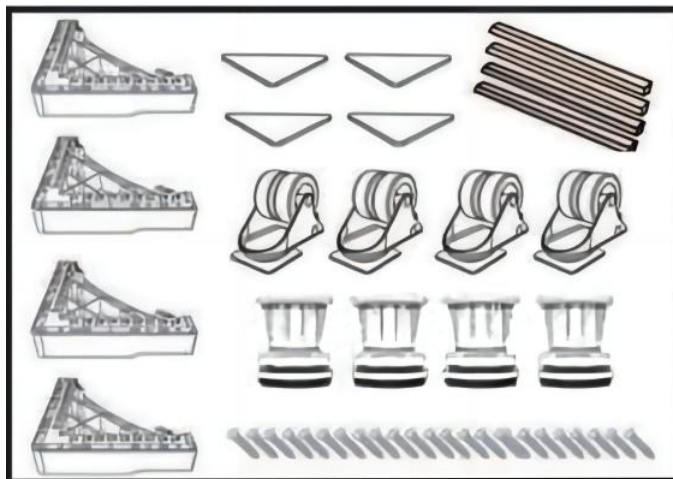
Material: Plastic+Alloy Steel

Product size: Minimum 16x16 inches, maximum 27x27 inches

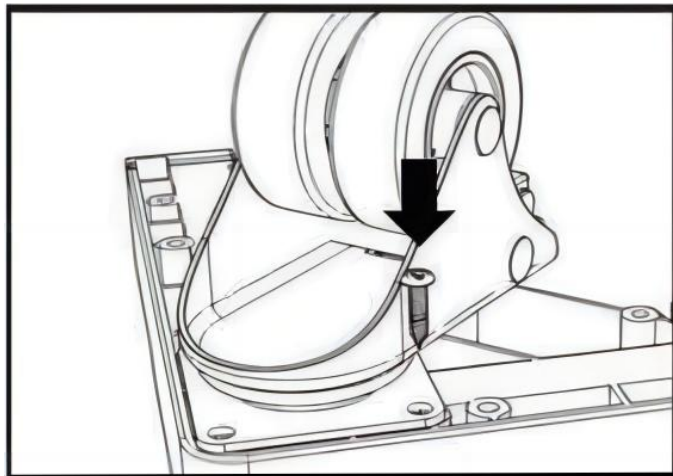
Load capacity: The normal load is 110 pounds, and the maximum load does not exceed 400 pounds.

## ASSEMBLY AND USE

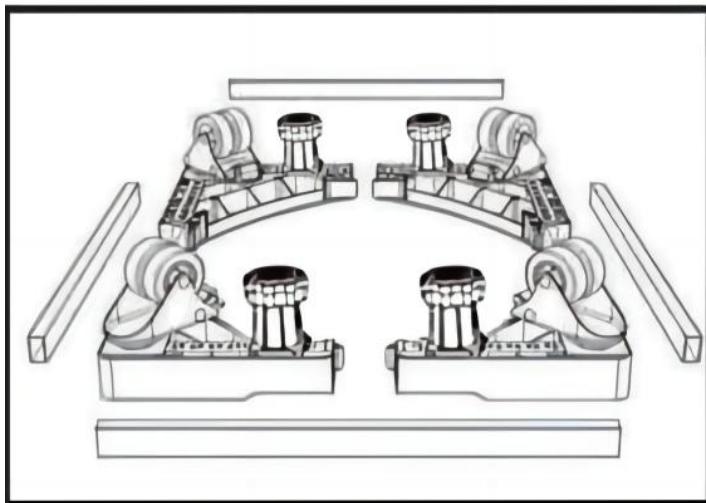
1. Get everything ready.



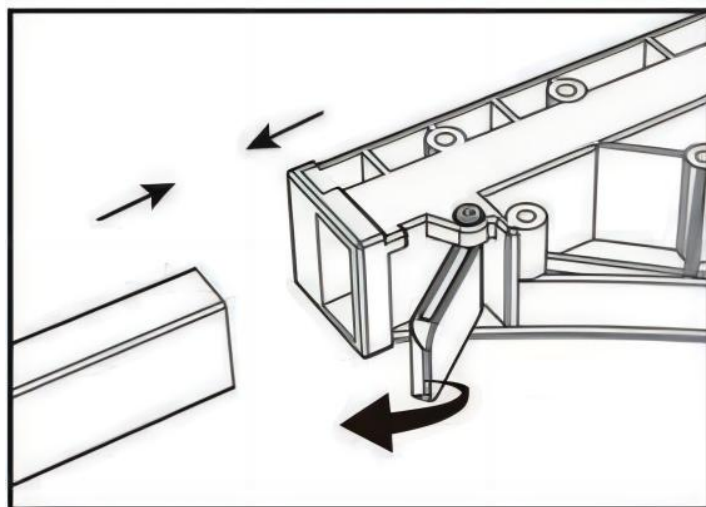
2. Use screws to fix 4 wheels.



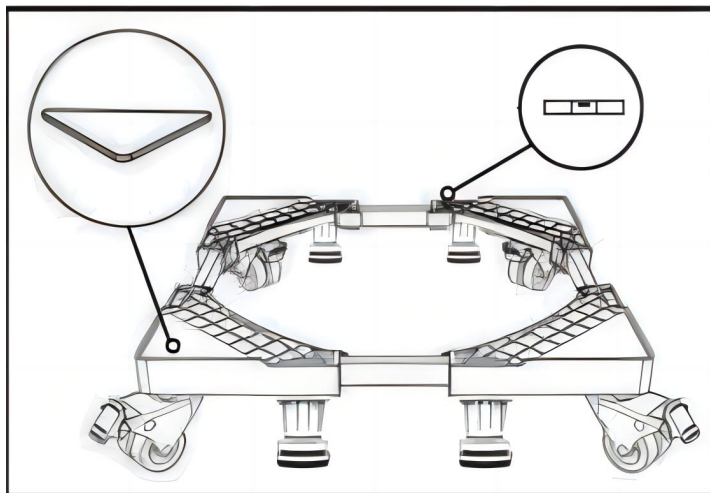
3. Fix 4 cylindrical support seats with screws, and then place 4 stainless steel square tubes as shown in the picture below.



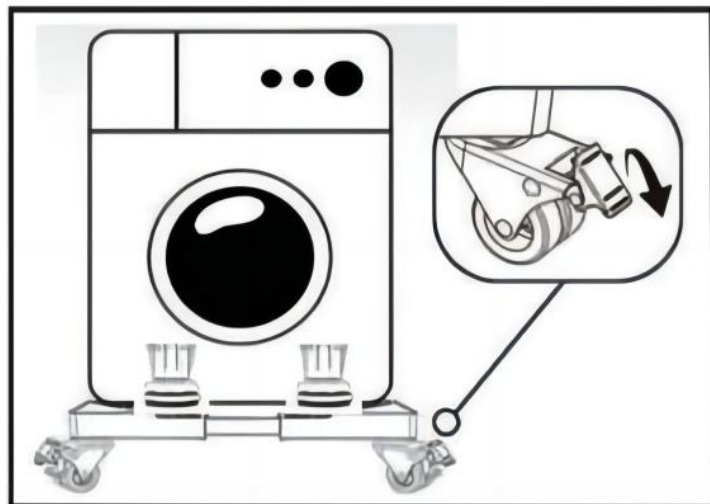
4. Insert stainless steel square tube and adjust to the proper size, then lock 4 buckles.



5. Stick shock absorption mats in 4 corners of the base.



6. Rotate to the proper height to keep the base flat.



## **MAINTENANCE**

1. Avoid prolonged exposure to the sun to avoid aging.
2. Inspect accessories for wear, cracks and other damage before use, and replace defective accessories immediately.

**Sanven Technology Ltd.**

**Address: Suite 250, 9166 Anaheim Place, Rancho Cucamonga, CA 91730**

**Made In China**

**VEVOR**<sup>®</sup>

**TOUGH TOOLS, HALF PRICE**

**Technical Support and E-Warranty Certificate**

**[www.vevor.com/support](http://www.vevor.com/support)**