

# **VEVOR<sup>®</sup>**

## **TOUGH TOOLS, HALF PRICE**

Technical Support and E-Warranty Certificate

[www.vevor.com/support](http://www.vevor.com/support)

**MODEL: ZH130-FHT**

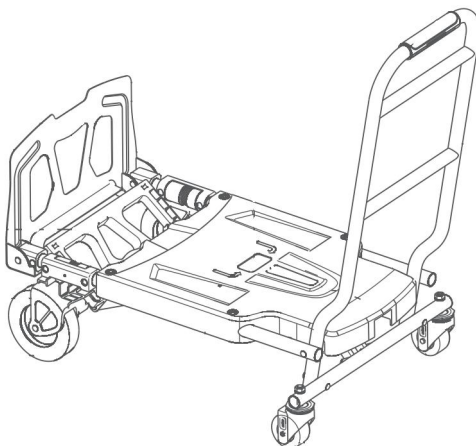
We continue to be committed to provide you tools with competitive price.

"Save Half", "Half Price" or any other similar expressions used by us only represents an estimate of savings you might benefit from buying certain tools with us compared to the major top brands and does not necessarily mean to cover all categories of tools offered by us. You are kindly reminded to verify carefully when you are placing an order with us if you are actually saving half in comparison with the top major brands.

# VEVOR<sup>®</sup>

TOUGH TOOLS, HALF PRICE

**MODEL: ZH130-FHT**



## **NEED HELP? CONTACT US!**

Have product questions? Need technical support? Please feel free to contact us:

**Technical Support and E-Warranty Certificate**  
**[www.vevor.com/support](http://www.vevor.com/support)**

This is the original instruction, please read all manual instructions carefully before operating. VEVOR reserves a clear interpretation of our user manual. The appearance of the product shall be subject to the product you received. Please forgive us that we won't inform you again if there are any technology or software updates on our product.

## SAFETY INSTRUCTIONS



**WARNING: Read and understand this manual before assembling, installing, operating, or servicing this product. Failure to follow these warnings and instructions can cause death, personal injury or damage to valuable property.**

1. Please do not put it near flammable materials.
2. It is forbidden to carry people under any condition.
3. This product cannot be used to go up or down stairs.
4. Overload is strictly prohibited.
5. Don't move too fast when passing pothole areas.

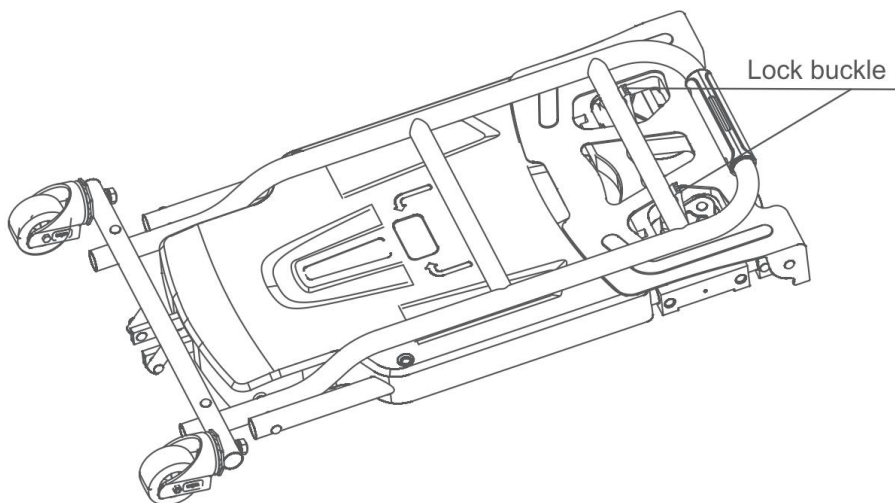
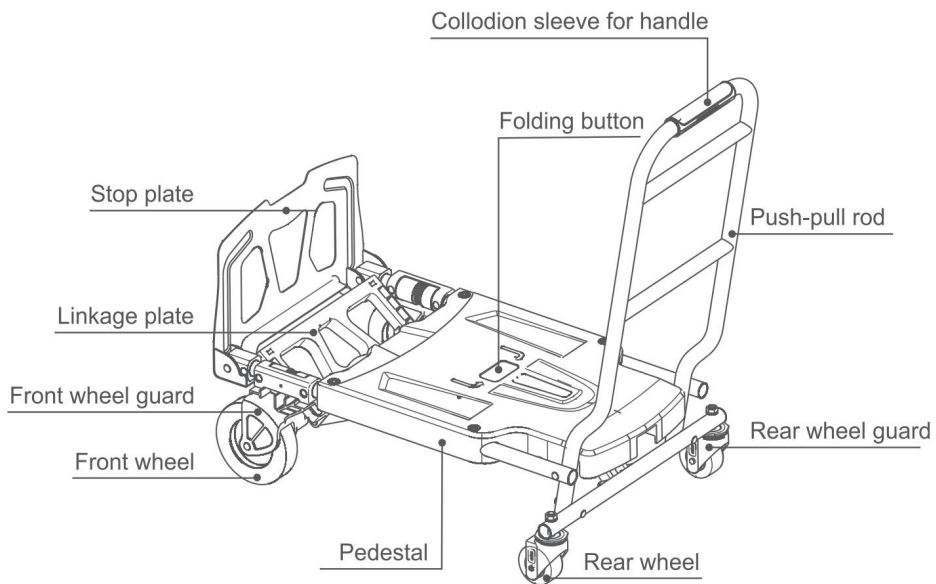
## SAVE THESE INSTRUCTIONS

## PRODUCT PARAMETERS

Material: Plastic + Alloy Steel

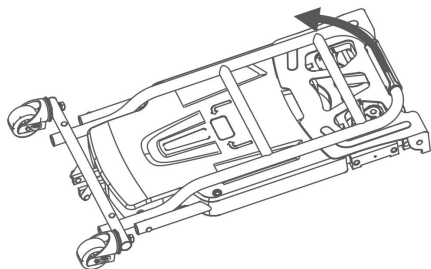
Load capacity: Normal use is no more than 286 pounds, and extreme use is no more than 300 pounds.

## PARTS COMPOSITION

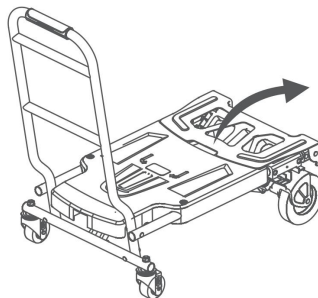


## UNFOLDING OF PRODUCT

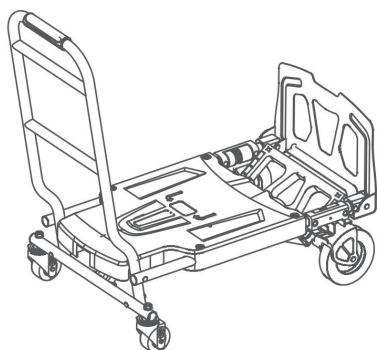
1. First pull the welded tube out of the limit buckle; then slowly pull the push-pull rod.



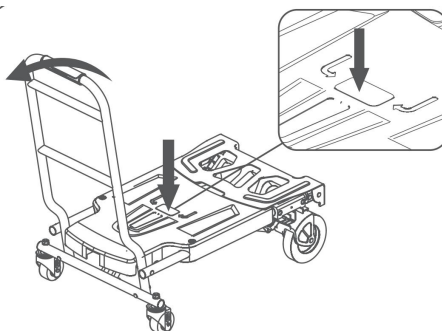
2. The push-pull rod will be locked once reaching a certain position; the stop plate can be unfolded upward if necessary.



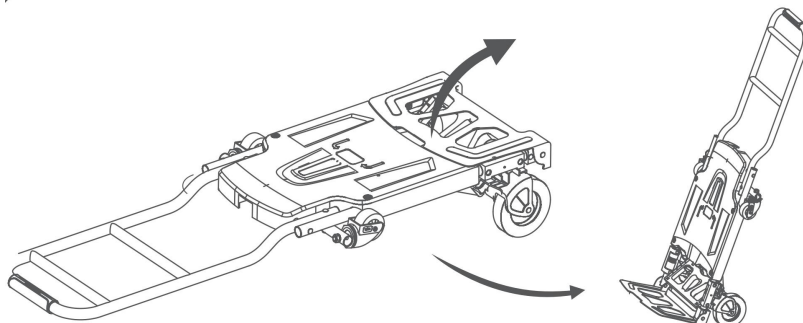
3. At this moment, the trolley is just like a handcart, with the stop plate unfolded or folded as necessary.



4. Press the folding button and pull the push-pull rod backward.

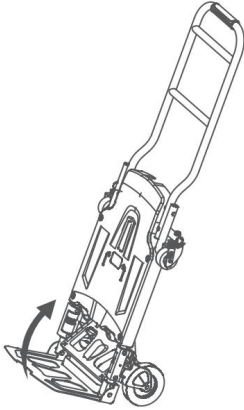


5. The push-pull rod will be locked once reaching a certain position; uplift the stop plate and set the handcart up.

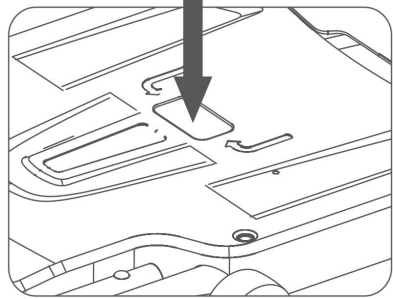


## FOLDING STEPS OF PRODUCT

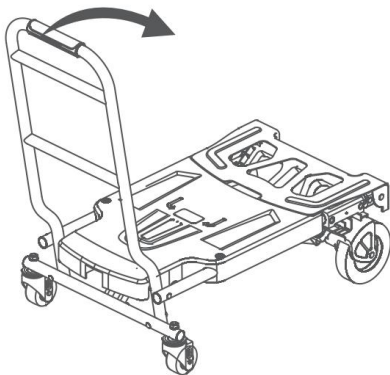
1. First, fold the stop plate.



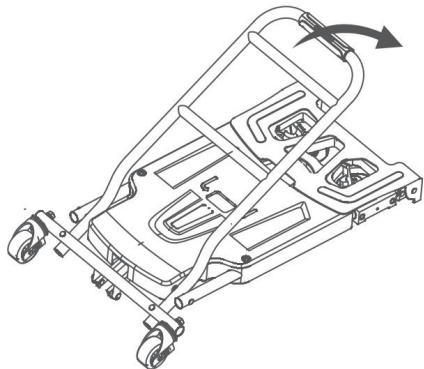
2. Press the folding button. (Note: when pressing the button with the cart completely unfolded, you shall press harder.)



3. Press the push-pull rod downward.

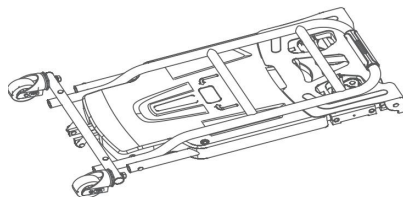
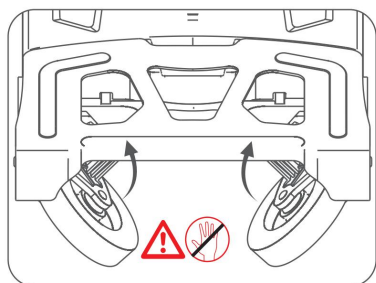


4. After it reaches a certain angle, the folding button can be released and the push-pull rod can still be further pressed.



5. **WARNING:**when folding, the two front wheels will retract inward along with the pressing of the push-pull rod. Please keep your body away from the linkage plate to avoid injury.

6. Lock the push-pull rod on the lock buckle.



## MAINTENANCE

1. Avoid prolonged exposure to the sun to avoid aging.
2. Inspect accessories for wear, cracks and other damage before use, and replace defective accessories immediately.

**Address:** Baoshanqu Shuangchenglu 803long 11hao 1602A-1609shi Shanghai

**Imported to AUS:** SIHAO PTY LTD, 1 ROKEVA STREET EASTWOOD NSW 2122 Australia

**Imported to USA:** Sanven Technology Ltd, Suite 250, 9166 Anaheim Place, Rancho Cucamonga, CA 91730

<b>EC</b>	<b>REP</b>
-----------	------------

SHUNSHUN GmbH  
Römeräcker 9 Z2021, 76351  
Linkenheim-Hochstetten, Germany

<b>UK</b>	<b>REP</b>
-----------	------------

Pooledas Group Ltd  
Unit 5 Albert Edward House, The  
Pavilions Preston, United Kingdom

**VEVOR<sup>®</sup>**

**TOUGH TOOLS, HALF PRICE**

**Technical Support and E-Warranty Certificate**

**[www.vevor.com/support](http://www.vevor.com/support)**

**Made In China**