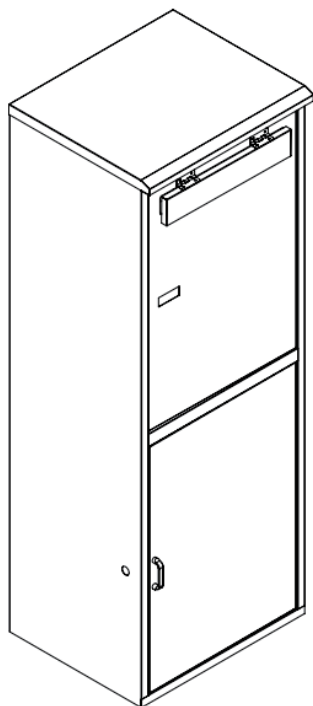


**Model: BGXDXGLDS44INQOU9**



**NEED HELP? CONTACT US!**

Have product questions? Need technical support?  
Please feel free to contact us:

✉ CustomerService@vevor.com

This is the original instruction, please read all manual instructions carefully before operating. VEVOR reserves clear interpretation of our user manual. The appearance of the product shall be subject to the product you received. Please forgive us that we won't inform you again if there is any technology or software updates on our product.

Thanks for purchasing one of our products. Please read the assembly instructions carefully before the installation.

**PRODUCT PARAMETER**

Model	BGXDXGLDS44INQOU9
Material	Cold rolled plate DC01
Product Size	410*400*1105 mm
G.W.	17.6 Kg ±3%
N.W.	21.5 Kg ±3%

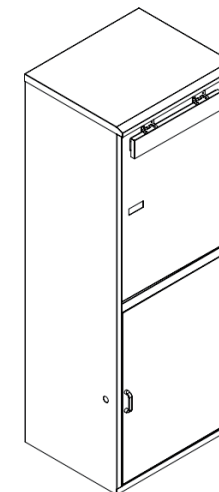
**ASSEMBLY PRECAUTIONS**

1. Assemble needs to follow these instructions. Incorrect assembly can be a hazard.
2. Wear safety goggles and heavy-duty work gloves during assembly.
3. Do not assemble when tired or when under the influence of alcohol, drugs or medication.
4. Weight capacity and other product capabilities apply to a properly and completely assembled product only.

**USE PRECAUTIONS**

1. This product is not a toy. Do not allow children to play with or approach this item.
2. Use as intended only. Do not sit or stand on the product.
3. Inspect before every use. Do not use it if parts are loose or damaged.
4. Use on flat, level, and hard surfaces only.
5. Do not exceed the listed weight capacity. Tighten all knobs securely before applying load. Be aware of dynamic loading! The sudden load movement may briefly create an excess load, causing product failure.

**PARTS LIST**



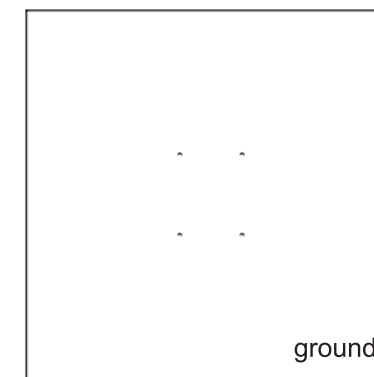
×1



×4

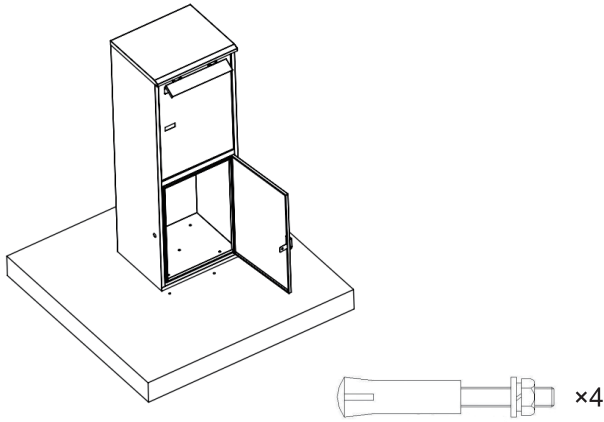
**ASSEMBLY STEPS:**

1. Drill 4 m8 expansion screw holes with a pneumatic drill.



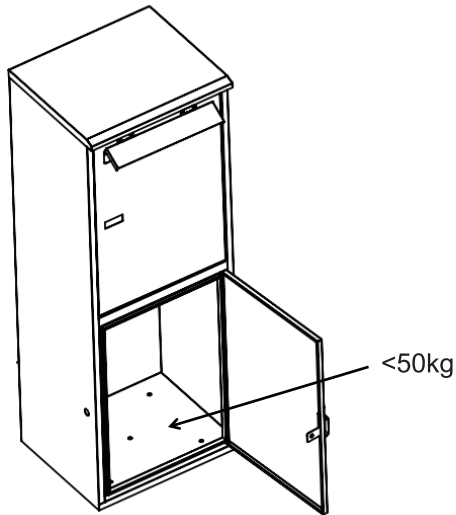
Ground hole drawing

2.The four holes under the box are fixed to the ground with m8 expansion screws.



### General Care

Make sure the load of the Parcel Mailbox does not exceed 50kg.



### Cleaning

- For cleaning, wipe the surface with a damp (not wet) cloth or wipe dry with a clean lint free cotton cloth.
- Window cleaning liquid or a similar cleaning liquid can be used to clean the surface.

**VEVOR**<sup>®</sup>  
TOUGH TOOLS, HALF PRICE

Technical Support and E-Warranty Certificate  
[www.vevor.com/support](http://www.vevor.com/support)

## Parcel Mailbox Instruction Manual

We continue to be committed to provide you tools with competitive price. "Save Half", "Half Price" or any other similar expressions used by us only represents an estimate of savings you might benefit from buying certain tools with us compared to the major top brands and does not necessarily mean to cover all categories of tools offered by us.

You are kindly reminded to verify carefully when you are placing an order with us if you are actually saving half in comparison with the top major brands.

**VEVOR**<sup>®</sup>  
TOUGH TOOLS, HALF PRICE

Technical Support and E-Warranty Certificate  
[www.vevor.com/support](http://www.vevor.com/support)