

VEVOR[®]

TOUGH TOOLS, HALF PRICE

Technical Support and E-Warranty Certificate www.vevor.com/support

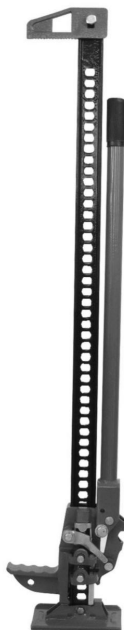
MACHANICAL JACK

We continue to be committed to provide you tools with competitive price. "Save Half", "Half Price" or any other similar expressions used by us only represents an estimate of savings you might benefit from buying certain tools with us compared to the major top brands and does not necessarily mean to cover all categories of tools offered by us. You are kindly reminded to verify carefully when you are placing an order with us if you are actually saving half in comparison with the top major brands.

VEVOR[®]

TOUGH TOOLS, HALF PRICE

Mechanical Jack



NEED HELP? CONTACT US!

Have product questions? Need technical support? Please feel free to contact us:

 CustomerService@vevor.com

This is the original instruction, please read all manual instructions carefully before operating. VEVOR reserves a clear interpretation of our user manual. The appearance of the product shall be subject to the product you received. Please forgive us that we won't inform you again if there are any technology or software updates on our product.

1. Technical parameters

Model	AH081048	
Rated Load (kg)	$H \geq 915\text{mm}$	750
	$610\text{mm} \leq H < 915\text{mm}$	1500
	$305\text{mm} \leq H < 610\text{mm}$	2250
	$125\text{mm} \leq H < 305\text{mm}$	3000
Maximum raised height (inch)	48	
Product weight (kg)	12.3	

Model	AH081060	
Rated Load (kg)	$H \geq 1220\text{mm}$	375
	$915\text{mm} \leq H < 1220\text{mm}$	750
	$610\text{mm} \leq H < 915\text{mm}$	1500
	$305\text{mm} \leq H < 610\text{mm}$	2250
	$125\text{mm} \leq H < 305\text{mm}$	3000
Maximum raised height (inch)	60	
Product weight (kg)	13.5	

2. Safety precautions



WARNING:

NEVER WORK ON, UNDER OR AROUND LOAD UNTIL IT IS PROPERLY SUPPORTED, TRANSFER THE LOAD IMMEDIATELY TO APPROPRIATE RATED JACK STANDS DO NOT USE THIS PRODUCT FOR ANY PURPOSE OTHER THAN THAT FOR WHICH IT WAS INTENDED. IT IS OWNER'S RESPONSIBILITY TO KEEP LABELS AND MANUALS AVAILABLE FROM THE MANUFACTURER FAILURE TO HEED THESE AND ALL OTHER WARNINGS PERTAINING TO THIS PRODUCT CAN RESULT IN SUDDEN LOSS OF LIFTED LOAD RESULTING IN DEATH PERSONAL INJURY OR PROPERTY DAMAGE.

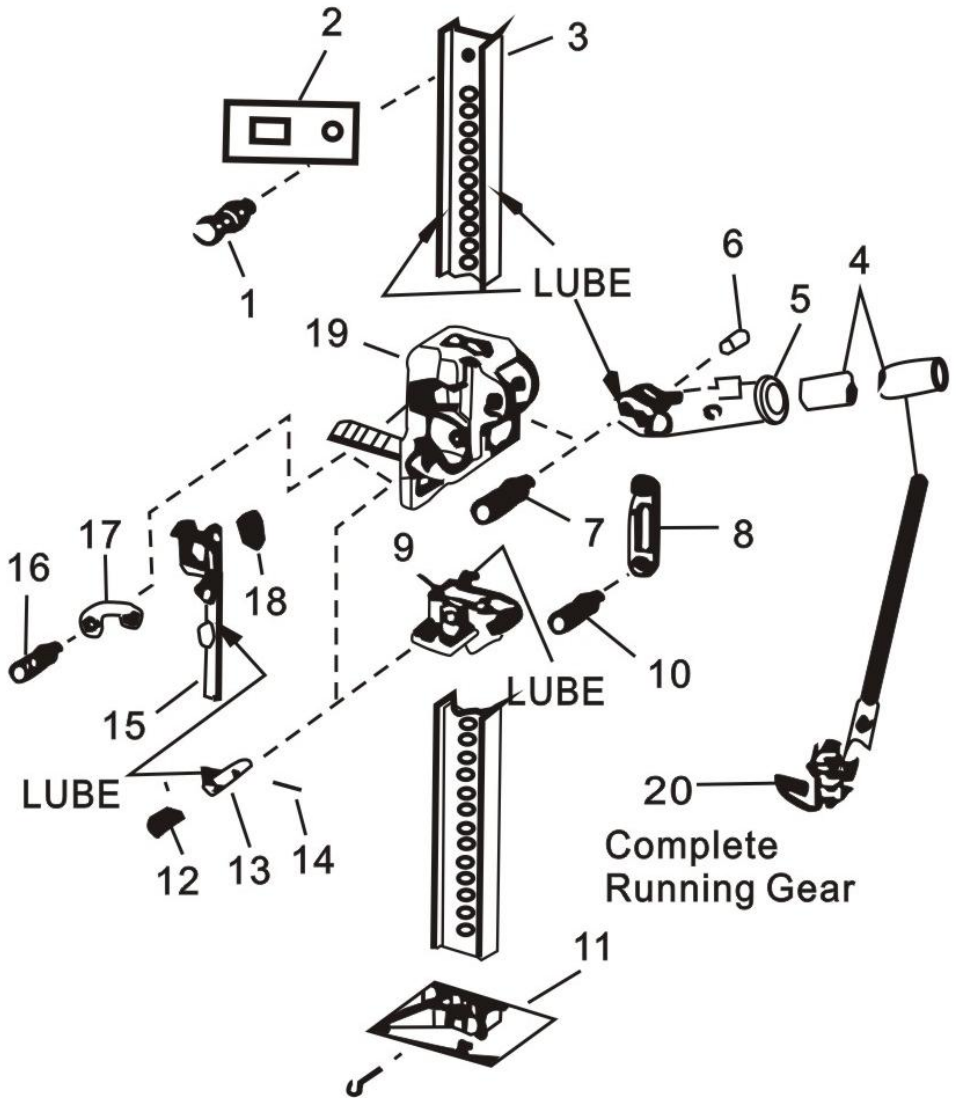
Basic Safety precautions

1. Be sure the base of the jack is on firm and level ground.
2. Be sure the jack will not slip after the load is applied.
3. Be sure the lifting arm is fully under load is applied.
4. Be sure the load is stabilized before lifting so it will not shift when lifting or lowering.
5. Do not work under the vehicle after lifting unless you have jack stands supporting the vehicle.
6. Do not push the load off the jack; lower it carefully.
7. Do not use handle extensions.
8. Do not carry the jack by the handle.

3. Product structure diagram

Part List:

- | | |
|--|-------------------------------------|
| 1.Top Clamp-Clevis Bolt | 2.Top Clamp-Clevis |
| 3.Steel Standard(Bar) | 4.Steel Handle w/Cotter Pin |
| 5.Handle Socket | 6.Pin |
| 7.Hex Bolt | 8.Connecting Rod |
| 9.Small Runner | 10.Screw Bolt |
| 11.Base | 12.Climbing Pin Spring (2 required) |
| 13.Climbing Pin (2 required) | |
| 14.Cross Pin (2 required) | |
| 15.Reversing Switch Cam Bar and Spring | |
| 16.Cap Screw w/Washer | |
| 17.Reversing Latch | |
| 18.Reversing Switch Spring | |
| 19.Large Runner | |
| 20.Running Gear (assembled) | |



4. Instruction for use

A. TO RAISE A LOAD

1. Following all safety precautions, place the foot of the jack beneath the load. Lift the Reversing Latch (20) to its "UP" position and ensure it is locked in place, with the indentation in the Latch firmly engaged in the

notch on the Reversing Switch (18)-refer to fig.1.Jack up the nose until it comes into contact with the load at the desired point of the lift. Pause at this stage and check to ensure no obstacles to a clean lift.

2. Pull down firmly and evenly on the handle and observe the load rising
As the handle is pulled down, you will hear the climbing pin(15) click into place as it locates in a hole in the steel bar(3). At this point, relax the handle allowing the pin(15) to take the load, Raise the handle to the top of its stroke to take a fresh purchase, and pump the handle once again.

IMPORTANT:

1. Do not use extensions on the handle.
2. Always keep a firm hold on the handle.

To raise a load

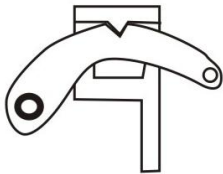


Fig.1

To lower a load

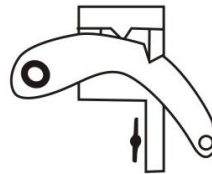


Fig.2.

B.TO LOWER A LOAD

IMPORTANT: The jack must be loaded with a minimum of 50kg(110 lbs) to lower step by step; otherwise, the lifting nose will drop.

Taking all necessary precautions, take the load with the jack (i.e., jack the load up slightly), and ensuring the handle is in the FULLY UPRIGHT position, trip the Reversing Latch (20)so that it is in the "Down" position,i.e., the indentation on the Latch, becomes disengaged from the notch on the reversing Switch (see fig.2). Keeping a firm grip on the handle, pump it as you would for 'raising a load.'

5.Scope of application

Farm Jack

6.Common fault analysis

fault phenomeno n	failure cause	solution
The jack deformation	The actual load weight exceeds the maximum product load	The actual load weight does not exceed the maximum product load

VEVOR[®]

TOUGH TOOLS, HALF PRICE

Technical Support and E-Warranty Certificate

<https://www.vevor.com/support>

Made In China