

VEVOR[®]

TOUGH TOOLS, HALF PRICE

Technical Support and E-Warranty Certificate www.vevor.com/support

TV WALL MOUNTS USER MANUAL

MODEL:RLLT2-E

We continue to be committed to provide you tools with competitive price.

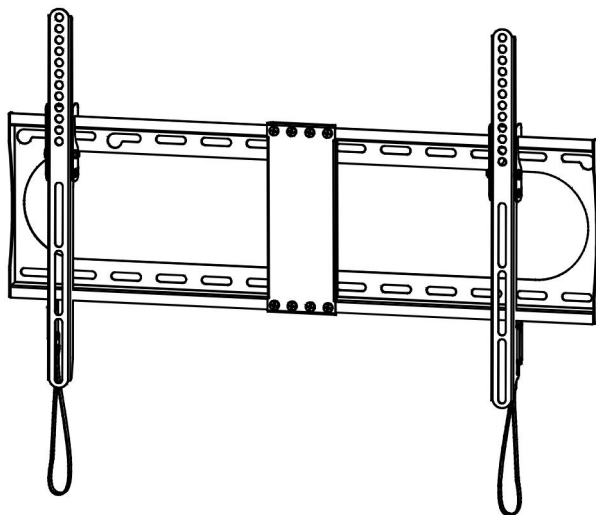
"Save Half", "Half Price" or any other similar expressions used by us only represents an estimate of savings you might benefit from buying certain tools with us compared to the major top brands and does not necessarily mean to cover all categories of tools offered by us. You are kindly reminded to verify carefully when you are placing an order with us if you are actually saving half in comparison with the top major brands.

VEVOR[®]

TOUGH TOOLS, HALF PRICE

TV WALL MOUNTS

MODEL:RLLT2-E



NEED HELP? CONTACT US!

Have product questions? Need technical support? Please feel free to contact us:

 CustomerService@vevor.com

This is the original instruction, please read all manual instructions carefully before operating. VEVOR reserves a clear interpretation of our user manual. The appearance of the product shall be subject to the product you received. Please forgive us that we won't inform you again if there are any technology or software updates on our product.

SAFETY INSTRUCTIONS

WARNING:

Read this material before using this product. Failure to do so can result in serious injury.

Assembly precautions

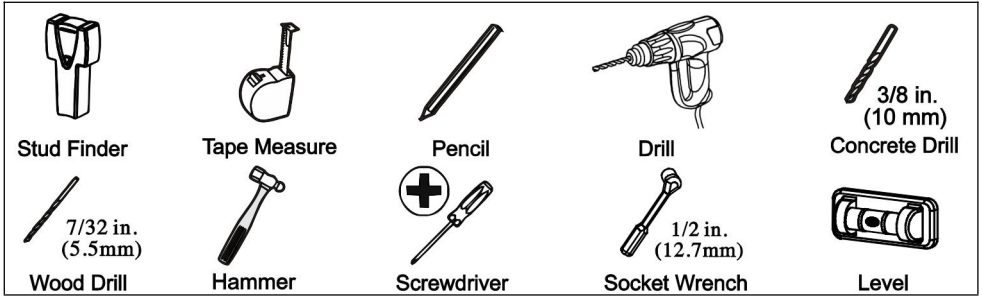
1. Assemble only according to these instructions. Improper assembly can create hazards.
 2. Wear ANSI-approved safety goggles and heavy-duty work gloves during assembly.
 3. Keep the assembly area clean and well-lit.
 4. Keep bystanders out of the area during assembly.
 5. Do not assemble when tired or when under the influence of alcohol, drugs or medication.
 6. The product capabilities apply to properly and completely assembled products only.
 7. Assemble on a flat, level, hard and smooth surface capable of safely supporting the TV Wall Mounts.
8. For additional information regarding the parts listed in the following pages, please refer to the Assembly Diagram of this manual. Unwrap and separate all parts in a clean work area.

Use precautions

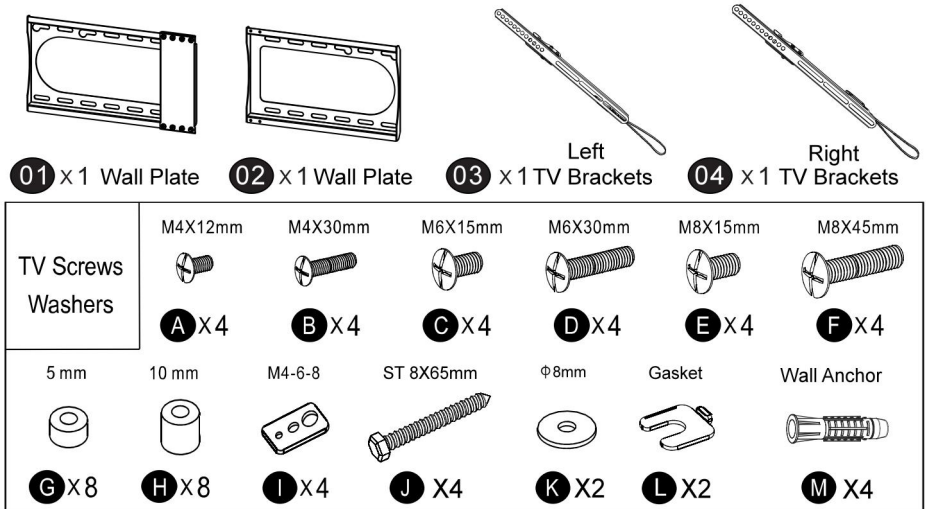
1. This product is designed for use in wood stud and solid concrete wall. -Do not mount on dry wall alone.
2. Do not exceed the maximum weight capacity of this product.
3. The wall must be capable of supporting five times the weight of the TV and mount combined.
4. Do not use this product for any purpose not explicitly specified by manufacture.
5. Inspect before every use; do not use if parts are loose or damaged.
6. Manufacture is not responsible for damage or injury caused by incorrect assembly or use.

SAVE THIS MANUAL

TOOLS NEEDED



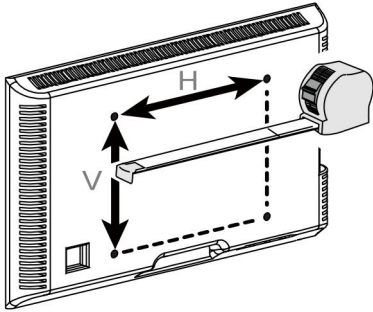
HARDWARE INCLUDED



ASSEMBLY STEP

STEP1 Attach Brackets to TV

STEP 1-1 Measure TV Hole Pattern



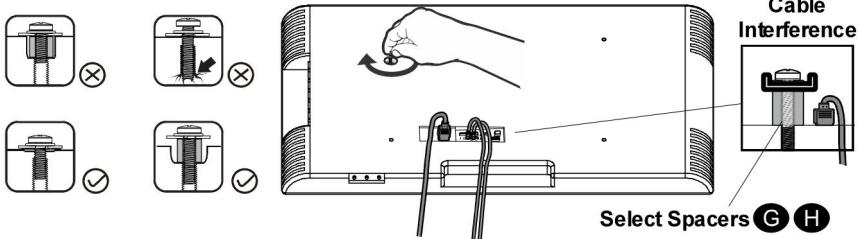
Note: VESA=Horizontal x Vertical
(Max VESA: 600 x 400 mm)

100mm \approx 4 in
200mm \approx 7 7/8 in
300mm \approx 11 3/4 in
400mm \approx 15 3/4 in
600mm \approx 23 5/8 in

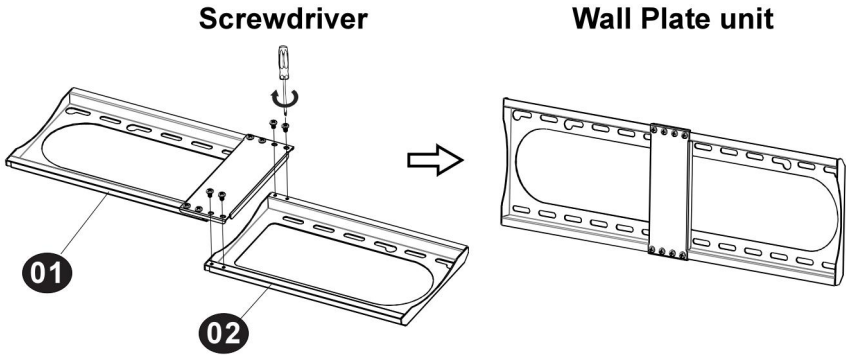
STEP 1-2 Select TV Screws

Preparation: Check VESA pattern of TV before installation.

Only one screw size fits your TV.

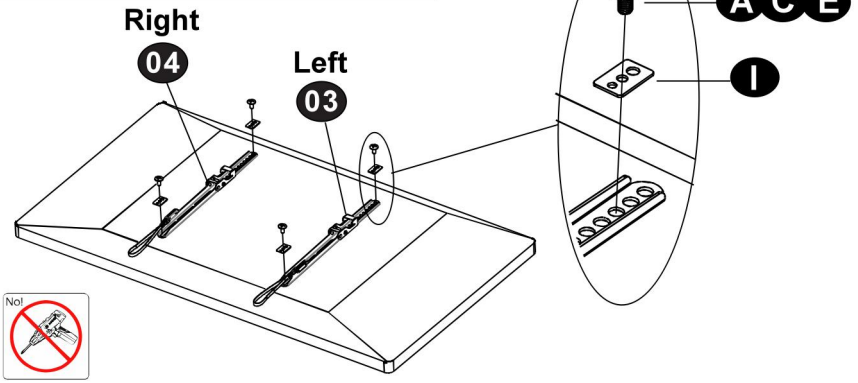


STEP 1-3 Assemble Wall Plate



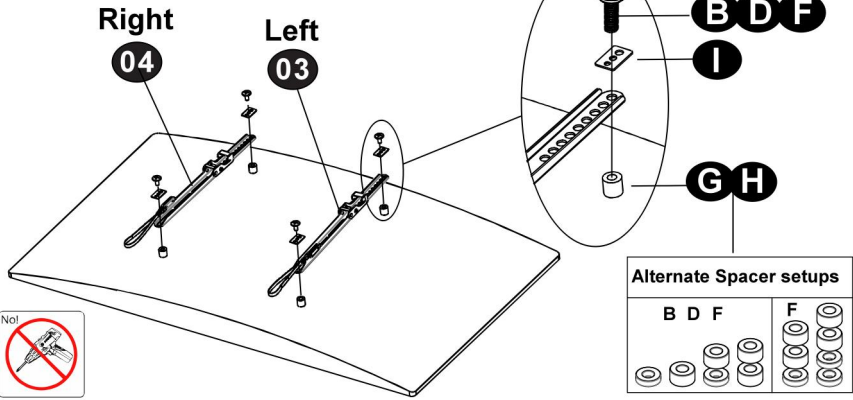
STEP 1-4 Attach the TV Brackets

a.Flat - Panel TV(Screw and Washer)



STEP 1-4 Attach the TV Brackets

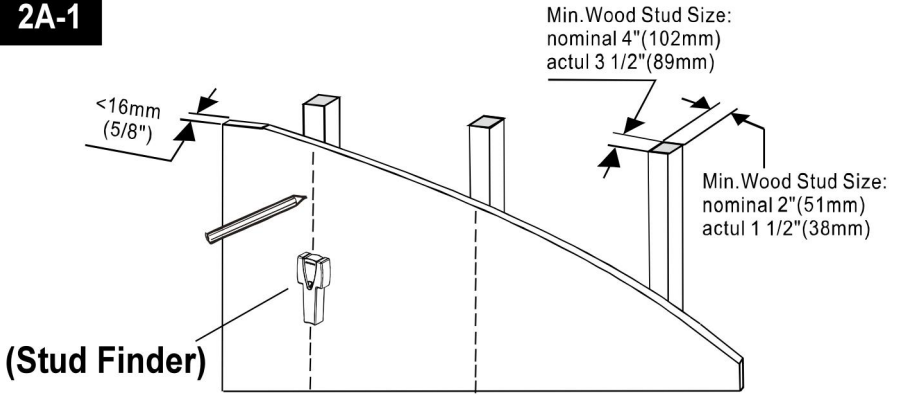
b. Curved TV (Spacer, Screw and Washer)



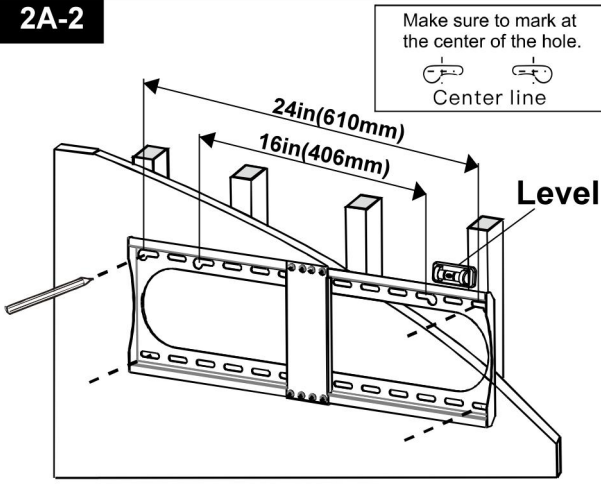
STEP 2 Attach Wall Plate to Wall

STEP 2A Wood Stud Installation

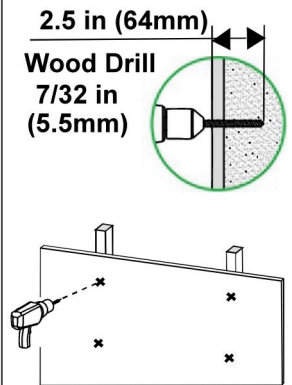
2A-1



2A-2



2A-3



STEP 2B Solid Concrete Wall Installation

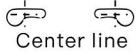


Caution: These anchors are for solid concrete and concrete block walls **ONLY DO NOT** use them in drywall or wood studs.

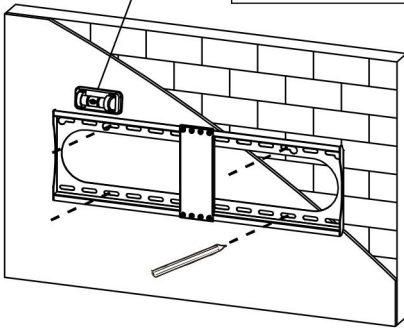
2B-1

Level

Make sure to mark at the center of the hole.

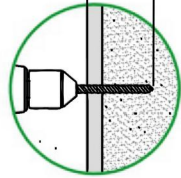


Center line



2B-2

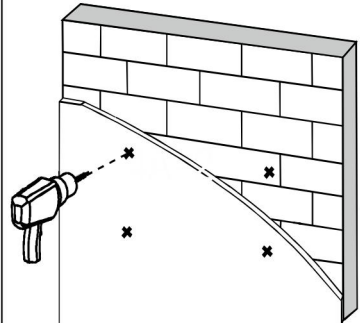
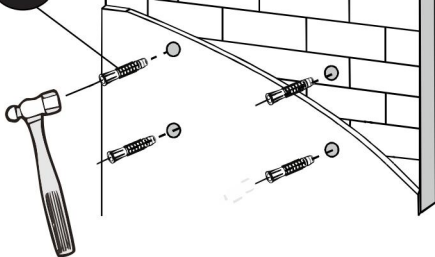
2.75in(70mm)



Concrete Drill
3/8 in(10mm)

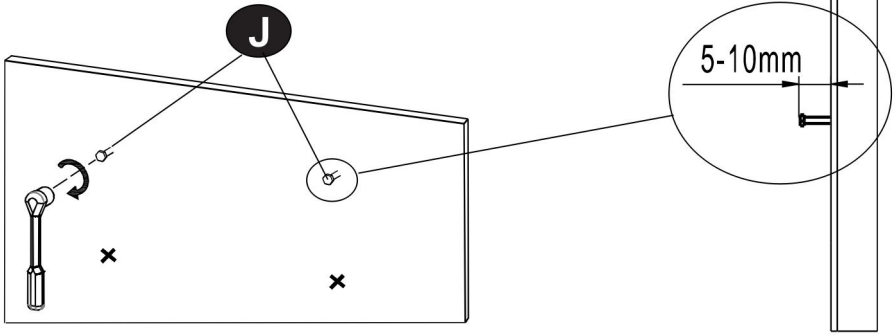
2B-3

M

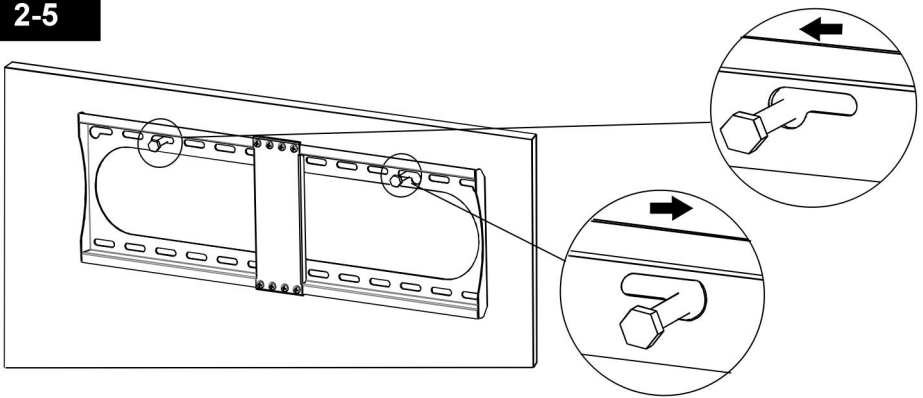


2-4

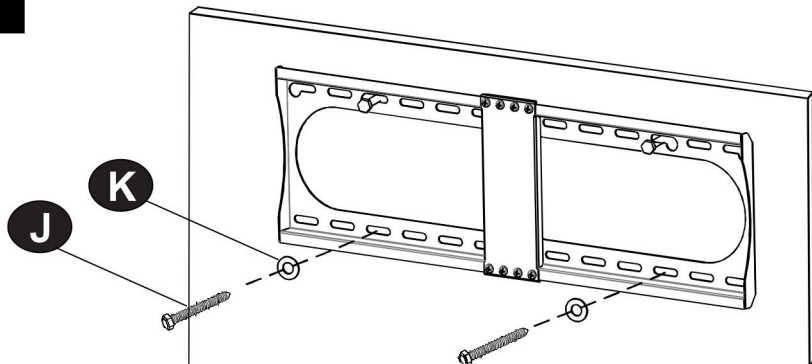
Make sure the distance between wall and lag bolt is at least 5-10mm.



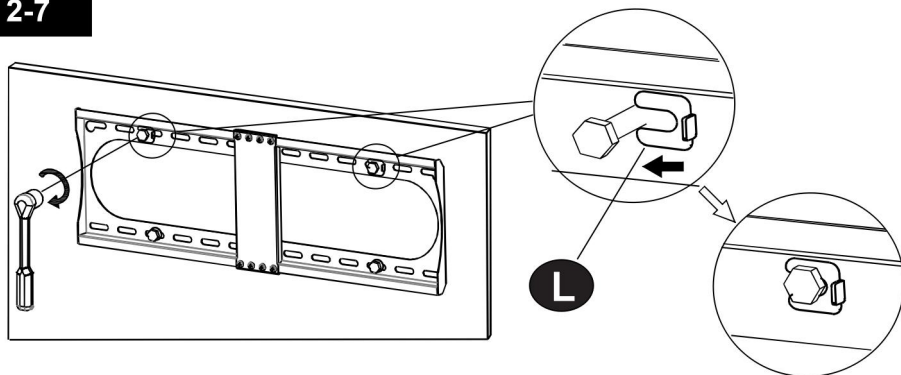
2-5



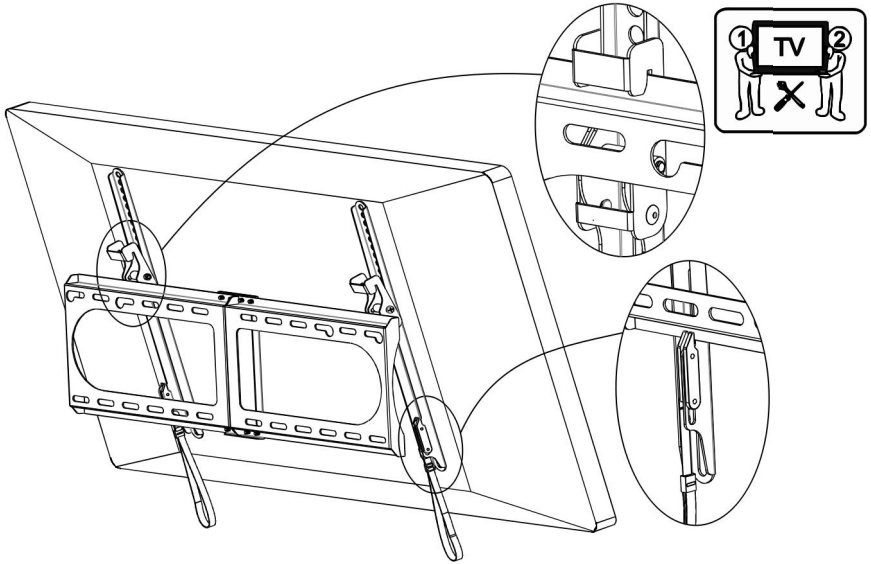
2-6



2-7

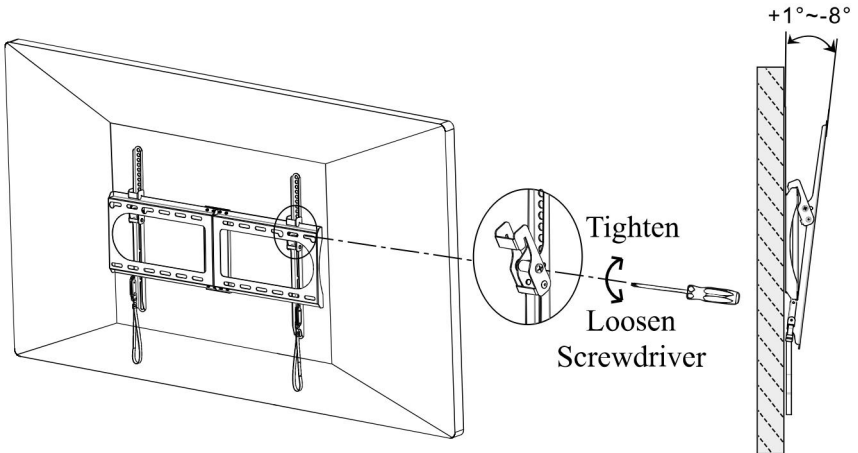


STEP 3 Hang and Secure TV to Wall Plate

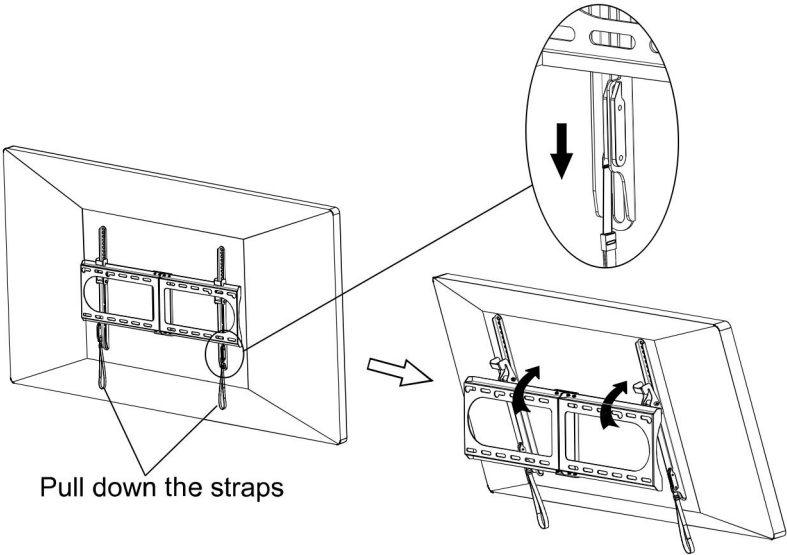


STEP 4 Adjustments

STEP 4-1 Tilting angle adjustments (+1°-8°)



STEP 5 Take down the TV from the Mount



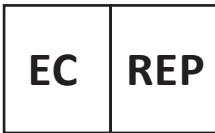
PRODUCT PARAMETER

Model	RLLT2-E
Safe Loading Weight	60 kg
Product Size	660*210*25 mm
Net Weight	2.13 kg

Address: Baoshanqu Shuangchenglu 803long 11hao 1602A-1609shi Shanghai

Imported to AUS: SIHAO PTY LTD, 1 ROKEVA STREETEASTWOOD NSW 2122 Australia

Imported to USA: Sanven Technology Ltd.Suite 250, 9166 Anaheim Place, Rancho Cucamonga, CA 91730



SHUNSHUN GmbH
Römeräcker 9 Z2021,76351
Linkenheim-Hochstetten, Germany



Pooledas Group Ltd
Unit 5 Albert Edward House, The Pavilions
Preston, United Kingdom

Made In China

VEVOR[®]
TOUGH TOOLS, HALF PRICE

Technical Support and E-Warranty Certificate
www.vevor.com/support