

VEVOR[®]

TOUGH TOOLS, HALF PRICE

Technical Support and E-Warranty Certificate www.vevor.com/support

UTILITY CARTS

USER MANUAL

MODEL: JY-BS

We continue to be committed to provide you tools with competitive price.

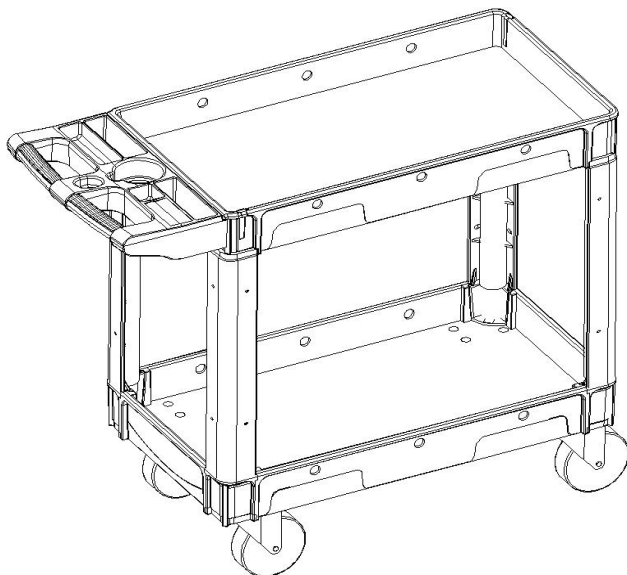
"Save Half", "Half Price" or any other similar expressions used by us only represents an estimate of savings you might benefit from buying certain tools with us compared to the major top brands and does not necessarily mean to cover all categories of tools offered by us. You are kindly reminded to verify carefully when you are placing an order with us if you are actually saving half in comparison with the top major brands.

VEVOR®

TOUGH TOOLS, HALF PRICE

UTILITY CARTS

MODEL: JY-BS



NEED HELP? CONTACT US!

Have product questions? Need technical support? Please feel free to contact us:

✉ CustomerService@vevor.com

This is the original instruction, please read all manual instructions carefully before operating. VEVOR reserves a clear interpretation of our user manual. The appearance of the product shall be subject to the product you received. Please forgive us that we won't inform you again if there are any technology or software updates on our product.

SAFETY INSTRUCTION AND PRECAUTIONS



WARNING:

Read this material before using this product. Failure to do so can result in serious injury. **SAVE THIS MANUAL**

Assembly precautions

1. Assemble only according to these instructions. Improper assembly can create hazards.
2. Wear ANSI-approved safety goggles and heavy-duty work gloves during assembly.
3. Keep assembly area clean and well lit.
4. Keep bystanders out of the area during assembly.
5. Do not assemble when tired or when under the influence of alcohol, drugs or medication.
6. Weight capacity and other product capabilities apply to properly and completely assembled product only.
7. Assemble on a flat, level, hard and smooth surface capable of safely supporting a fully loaded utility carts.

Use precautions

TO PREVENT SERIOUS INJURY AND DEATH FROM TIPPING:

1. DO NOT SIT, STAND OR CLIMB ON THIS ITEM.

2. This product is not a toy. Do not allow children to play with or near this item.
3. Do not exceed weight capacities, evenly distributed from bottom up. Be aware of dynamic loading! Sudden load movement may briefly create excess load causing product failure.
4. Use only on a flat, level, hard and smooth surface capable of safely supporting a fully loaded utility carts.
5. Do not lift while loaded.
6. To prevent tipping, push/pull using supplied handle only.
7. Use as intended only.
8. Inspect before every use; do not use if parts are loose or damaged.

TOOL REQUIRED FOR INSTALLATION

Phillips Screwdriver and Rubber mallet

Note: The phillips screwdriver and rubber mallet tools not included with this product

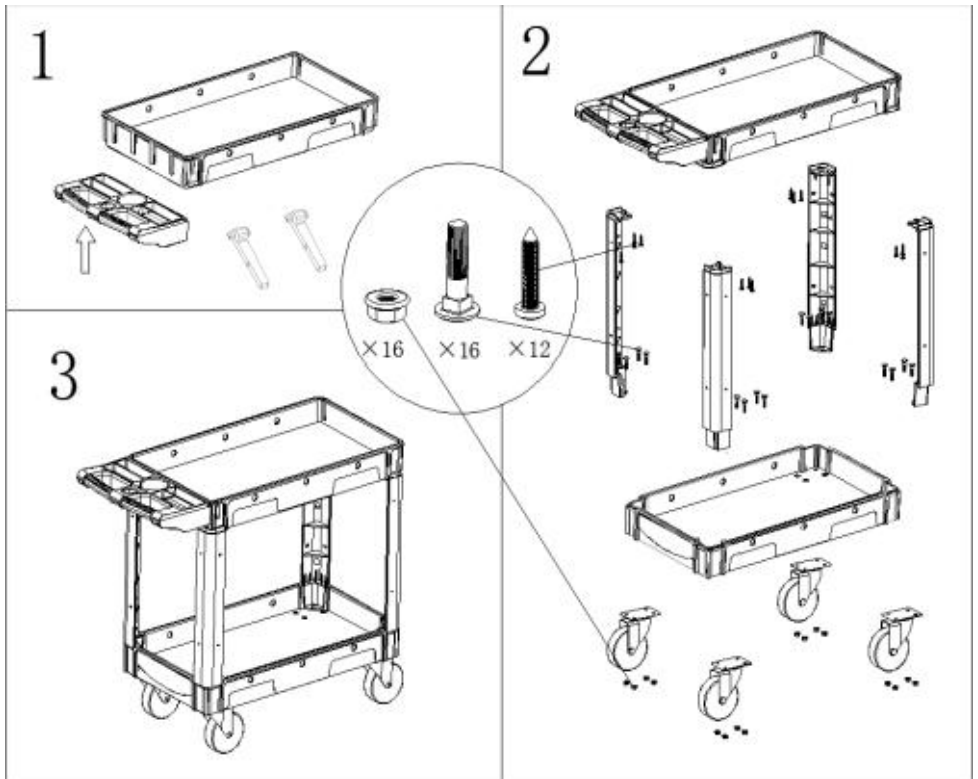
PARTS LIST

Parts Breakdown		
Index No.	Description	Qty
1	Handle	1
2	Upper Platform	1
3	Lower Platform	1
4	left Leg	2
5	Right Leg	2
6	Brake Castor Assembly Φ 5 in	2
7	Fixed Castor Assembly Φ 5 in	2
8	Tapping Screw M6*25mm	12
9	Screw Bolt M8*35mm	16
10	Hex Nut M8	16
11	Wrench	1
12	Upper part clamping position	2

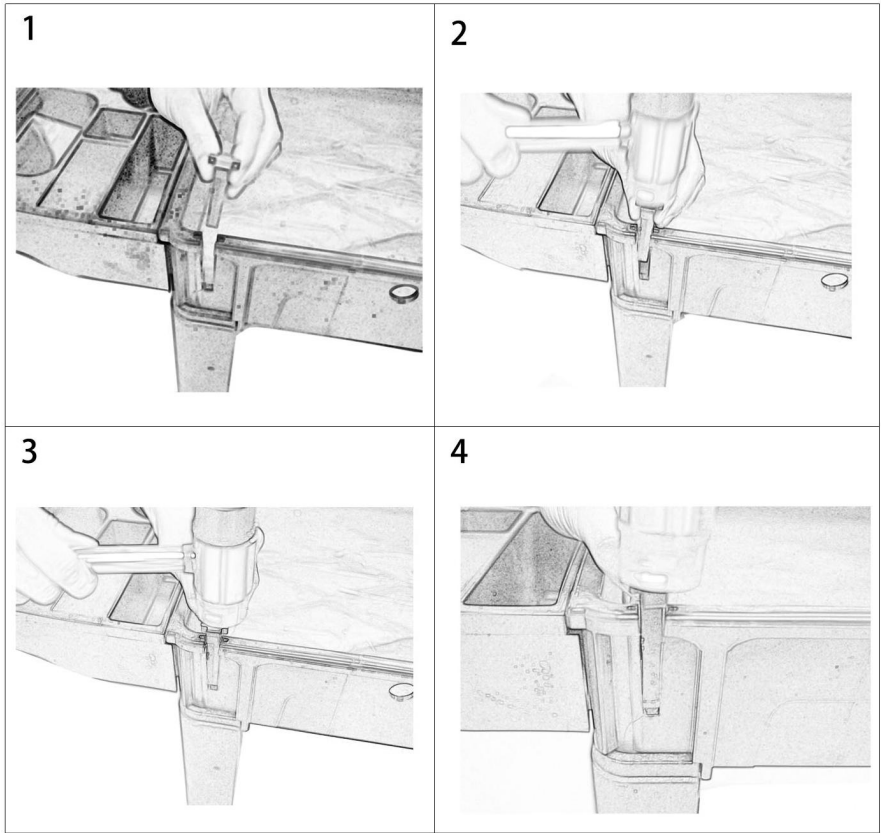
ASSEMBLY

Use the mallet to tap down the parts to ensure they are seated properly before fastening them with screws.

1. Upper board layer pin is stuck in the card slot(#1)
- 2 .Turn upper platform upright (#2) and install handle (#1)
3. Turn upper platform assembly upside down, and install legs (two left and two right, #4and#5)
4. install lower platform(#3) and castors(#6 #7)Tighten all screws and hex nuts. (#8, #9, #10)



5. Installation of Plastic Insert Plate



	Items	Description
1	Name	Utility carts
2	Model	JY-BS
3	Parameter	Load-bearing: 550lb, Number of plies: 2, Pallet sizes(LxWxHxID): 810x450x100x80mm
4	Package Size	840x485x145mm
5	G.W.	18KG

MADE IN CHINA

VEVOR[®]

TOUGH TOOLS, HALF PRICE

Technical Support and E-Warranty Certificate

www.vevor.com/support