

# **VEVOR<sup>®</sup>**

## **TOUGH TOOLS, HALF PRICE**

Technical Support and E-Warranty Certificate [www.vevor.com/support](http://www.vevor.com/support)

## **Kitchen Sink User Manual**

We continue to be committed to provide you tools with competitive price.

"Save Half", "Half Price" or any other similar expressions used by us only represents an estimate of savings you might benefit from buying certain tools with us compared to the major top brands and does not necessarily mean to cover all categories of tools offered by us. You are kindly reminded to verify carefully when you are placing an order with us if you are actually saving half in comparison with the top major brands.

# VEVOR<sup>®</sup>

TOUGH TOOLS, HALF PRICE

SHIPPING SCALE



## NEED HELP? CONTACT US!

Have product questions? Need technical support? Please feel free to contact us:



[CustomerService@vevor.com](mailto:CustomerService@vevor.com)

This is the original instruction, please read all manual instructions carefully before operating. VEVOR reserves a clear interpretation of our user manual. The appearance of the product shall be subject to the product you received. Please forgive us that we won't inform you again if there are any technology or software updates on our product.

**KM-SC-2302-SKU1**



**KM-SC-2302-SKU2**



**KM-SC-2302-SKU3**



## KM-SC-2302-SKU4



## KM-SC-2302-SKU5



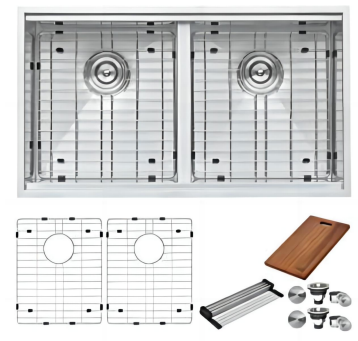
## KM-SC-2302-SKU6



## KM-SC-2302-SKU7



## KM-SC-2302-SKU8



## KM-SC-2302-SKU9



# Technical Specifications

	Model	N. W.	G. W.	Carton Size
SKU1	KM-SC-2302-SKU1	8.9 KG	11.9 KG±3%	700*625*280 mm±10mm
SKU2	KM-SC-2302-SKU2	14.7 KG	17.7 KG±3%	905*625*280 mm±10mm
SKU3	KM-SC-2302-SKU3	11.7 KG	14.5 KG±3%	905*625*280 mm±10mm
SKU4	KM-SC-2302-SKU4	12.5 KG	15 KG±3%	830*540*280 mm±10mm
SKU5	KM-SC-2302-SKU5	9.6 KG	12.2 KG±3%	830*525*280 mm±10mm
SKU6	KM-SC-2302-SKU6	12.7 KG	15 KG±3%	880*550*280 mm±10mm
SKU7	KM-SC-2302-SKU7	10 KG	12.4 KG±3%	880*550*280 mm±10mm
SKU8	KM-SC-2302-SKU8	14.7 KG	17.7 KG±3%	905*550*280 mm±10mm
SKU9	KM-SC-2302-SKU9	9.6 KG	12.2 KG±3%	830*525*280 mm±10mm

## SAFETY



Note / Remark.



Caution / Warning.



Read the instruction manual.



Read this material before using this product. Failure to do so can result in serious injury. Save This Manual.



### Assembly precautions

1.Assemble only according to these instructions. Improper assembly can create hazards.

2. Wear ANSI-approved safety goggles and heavy-duty work gloves during assembly.
3. Keep assembly area clean and well lit.
4. Keep bystanders out of the area during assembly.
5. Do not assemble when tired or when under the influence of alcohol, drugs or medication.
6. Weight capacity and other product capabilities apply to properly and completely assembled product only.
7. Assemble on a flat, level, hard and smooth surface capable of safely supporting a fully loaded Kitchen Sink.



## **Use precautions**

### **TO PREVENT SERIOUS INJURY AND DEATH FROM TIPPING:**

1. DO not sit, stand on this Kitchen Sink.
2. This product is not a toy. Do not allow children to play with or near this item.
3. Do not exceed weight capacities, evenly distributed from bottom up. Be aware of dynamic loading! Sudden load movement may briefly create excess load causing product failure. Do not exceed capacity of Kitchen Sink.
4. Empty Kitchen Sink before moving.
5. Use only on a flat, level, hard and smooth surface capable of safely supporting a fully loaded Kitchen Sink.
6. Use as intended only.
7. Inspect before every use; do not use if parts are loose or damaged.



## WARNING!

**DO NOT** let comfort or familiarity with product (gained from repeated use) replace strict adherence to the product safety rules. You can suffer serious personal injury if you use this product unsafely or incorrectly.

## Installation Instructions

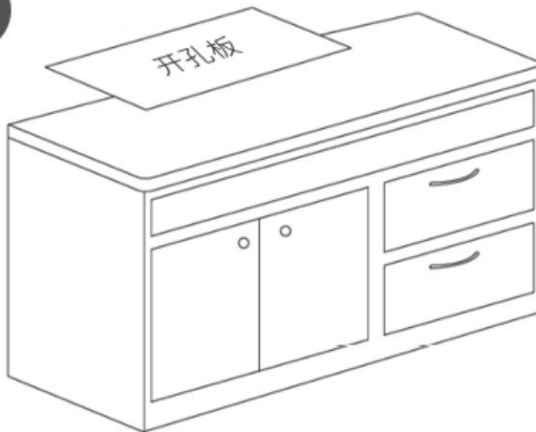
**Note:** Please open the hole according to the opening plate. Opening the hole after receiving goods is recommended to avoid mildew and reduce bacterial growth.

**Warm suggestions:** because the installation is more complicated, please choose a professional with installation experience for installation

## The Sink of mounting under the countertop (SKU1~SKU3)

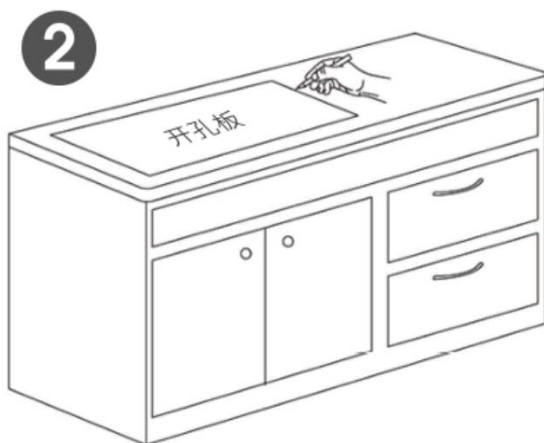
**Step1:** Inside the opening plate, the opening plate in the kitchen table needs to open the position

1

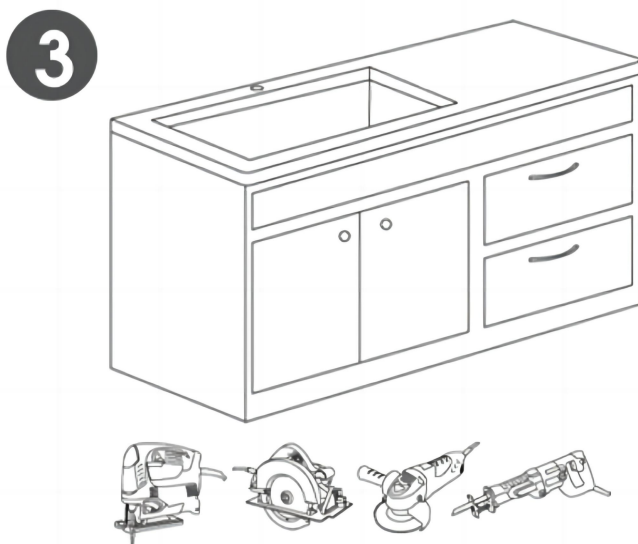




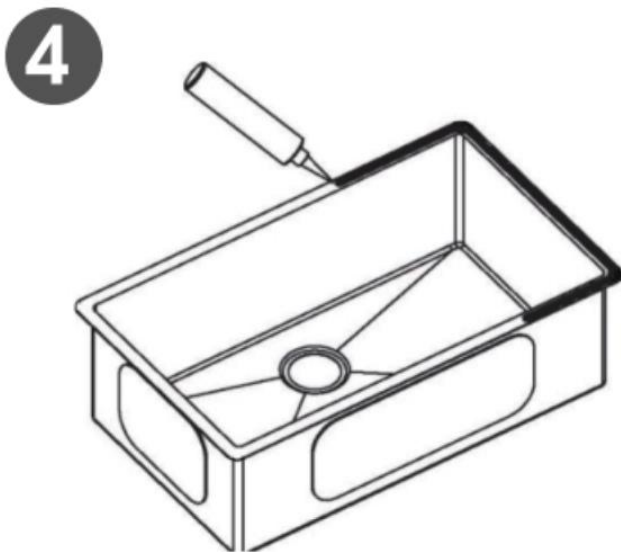
**Step2:** Make a drawing along the opening plate with a pencil and cut it with a cutting tool



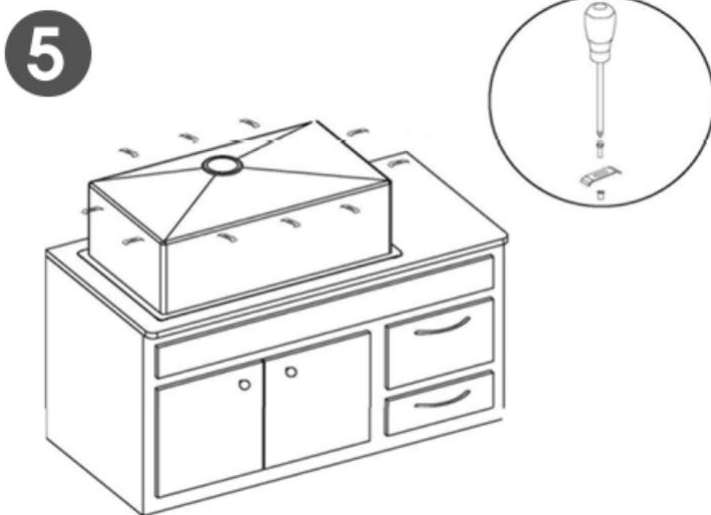
**Step3:** cut through the countertop along the delineated outline Carefully



**Step4:** Apply the adhesive to the table hole or around the tank, place the sink upside in the hole, and press it hard



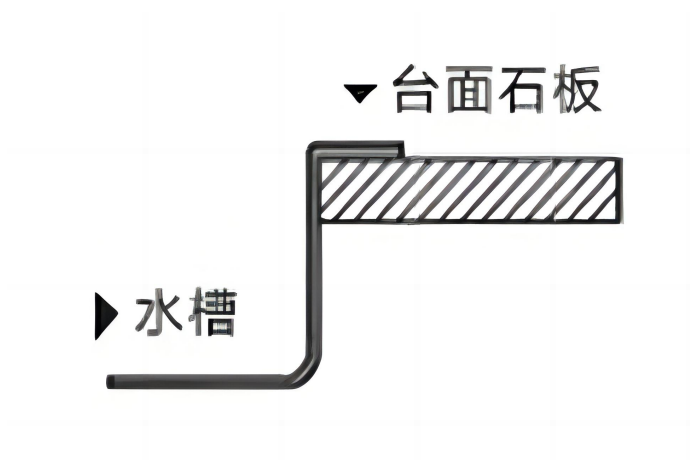
**Step5:** Fix the sink and countertop with fittings and tighten it (This accessory is not used as a gift, there are many ways under the installation, customers can install the sink according to the actual situation)



**Step6:**After the installation of the sink, please cover it with the shielding board to prevent the decoration dust, paint adhesion, air-liquid corrosion and other pollution of your products

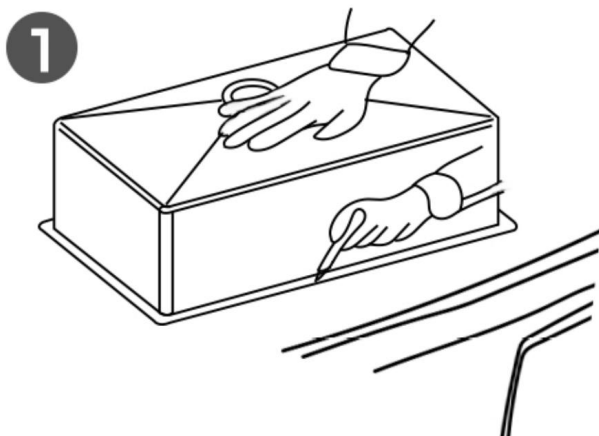


## Installation diagrammatic sketch



# The Sink of mounting on the countertop (SKU4~SKU9)

**Step1:** Place the sink in the installation position, press the sink, and trace the outline along the edge of the sink;



**Step2:** Take open the sink and draw the cutting line in the outline of the sink



**Step3:** drill a hole in the cutting line, put the saw blade and cut along the cutting line, and smooth the cut with sandpaper



**Step4:** Fill in transparent silicone on the outside of the incision for some installation master glass glue



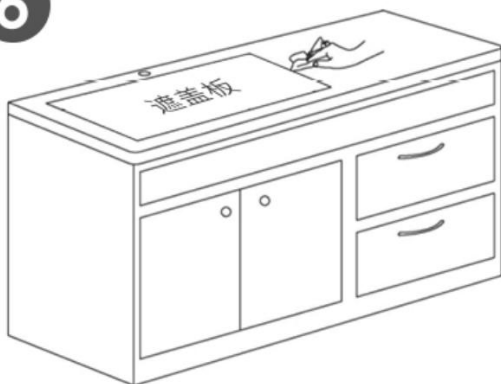
**Step5:** After the kitchen faucet is installed, slowly put the sink close to the leading edge, cover the glue and slowly put flat

5

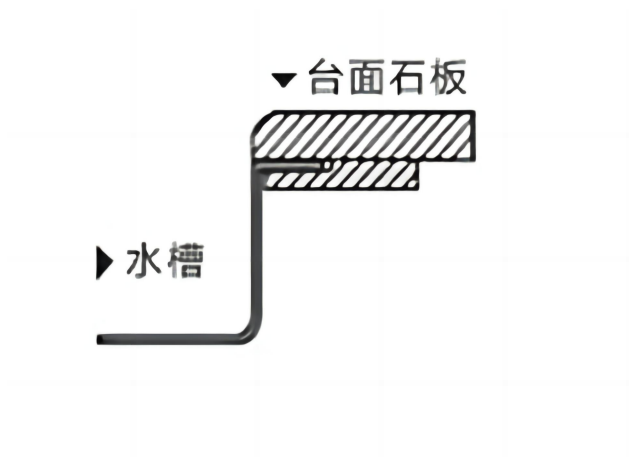


**Step6:** After the installation of the sink, please cover it with the shielding board to prevent the decoration dust, paint adhesion, air-liquid corrosion and other pollution of your products

6



## Installation diagrammatic sketch



## MAINTENANCE/ Service

In order to extend the service life of the sink, customers should pay attention to the maintenance of the sink after buying the sink. The specific maintenance and cleaning methods are as follows:

1. The decoration of the house should pay attention to the window ventilation to avoid the decoration materials issuing corrosive gas, and oxidation of the sink's surface, resulting in floating rust in the sink.
2. Can not directly cut items on the sink, can not be hard or rusty items in contact with the sink for a long time or stored for a long time, do not use steel wire ball to scrub the sink, the residual iron elements in the sink will also cause floating rust, but also scratch the sink.
3. Please use a sponge or cloth; if cleaning with a cleaning agent, please choose a neutral cleaning agent and gently scrub.
4. The surface of the tank should not contact the water containing heavy metals (heavy water). Due to the heavy content of gold, the subordinate water will cause the tank discoloration and rust spots. If this phenomenon occurs, please immediately dry the tank with a towel.
5. The sink should try to avoid prolonged contact with strong bleach powder, household chemicals and soap.
6. If this happens, clean it with water and dry the sink with a towel immediately.
7. Clean the sink using a neutral detergent in case the sink appears "floating rust" or "mildew." The toothpaste can be coated in the rust point

and spots and scrubbed clean with a rag.

8. If there is a chemical agent, cleaning agent, paint, oil pollution and other residues in the tank, please clean it immediately.

## Disposal

This products should be disposed of in accordance with local regulations. If you are unsure how to proceed, contact your local authority.

Only qualified technicians are authorized to undertake the repair of Stand Alone Sink.

For your safety , please observe all safety notes, precautions, and details in this manual.

## Warranty

1.This warranty shall only cover claims for damage due to a fault in the product's manufacture.

2.If a warranty claim is made, the party entitled to warranty cover must present the proof of purchase, including the purchase date.

3.Customers' satisfaction is always the motivation of our brand growth. We promise to help you solve any issues . Please just let us know if you need help.

**OUR SERVICE TEAM PROMISES TO REPLY TO YOUR MESSAGE WITHIN 24H.**

## Scope of Warranty

1.We guarantee that VEVOR products are produced in accordance with iso 9001 Quality Management procedures and are free of manufacturing defects for the period of warranty.

2.This warranty covers faults in the products due to manufacturing defects within 1 year from date of purchase.After inspection by sales representative, defective products will be replaced or repaired with equivalent goods free of charge.

3.Any warranty claim made during warranty period shall not extend the overall period of warranty coverage.

4.Warranty periods:Warranty claim date



**VEVOR<sup>®</sup>**

**TOUGH TOOLS, HALF PRICE**

**Technical Support and E-Warranty Certificate**

**[www.vevor.com/support](http://www.vevor.com/support)**

**Made In China**