

VEVOR[®]

TOUGH TOOLS, HALF PRICE

Technical Support and E-Warranty Certificate www.vevor.com/support

PEGBOARD

USER MANUAL

We continue to be committed to provide you tools with competitive price.

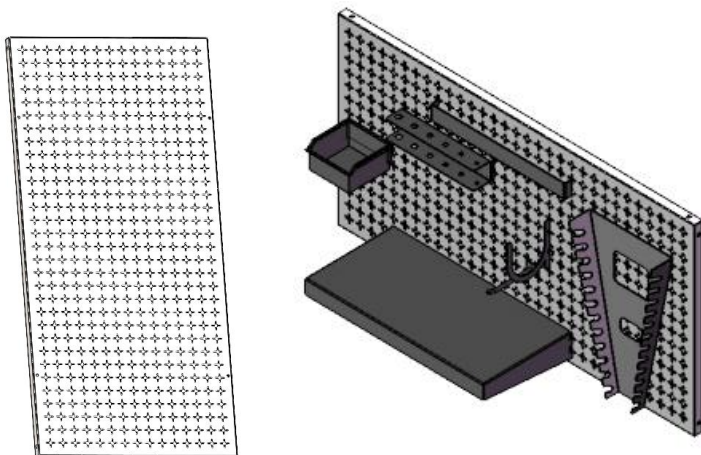
"Save Half", "Half Price" or any other similar expressions used by us only represents an estimate of savings you might benefit from buying certain tools with us compared to the major top brands and does not necessarily mean to cover all categories of tools offered by us. You are kindly reminded to verify carefully when you are placing an order with us if you are actually saving half in comparison with the top major brands.

VEVOR[®]

TOUGH TOOLS, HALF PRICE

PEGBOARD

MODEL:HB641601,HB641602,HB9632



NEED HELP? CONTACT US!

Have product questions? Need technical support? Please feel free to contact us:

 CustomerService@vevor.com

This is the original instruction, please read all manual instructions carefully before operating. VEVOR reserves a clear interpretation of our user manual. The appearance of the product shall be subject to the product you received. Please forgive us that we won't inform you again if there are any technology or software updates on our product.

SAFETY INSTRUCTIONS



WARNING:

1. Read this material before using this product. Failure to do so can result in serious injury.
2. Do not exceed working capacity for pallet fork.
3. After use, please dry before storage to avoid rusting of product.
4. Procedures not specifically explained in this manual must be performed only by a qualified technician.

To prevent serious injury from tool failure, do not use when it is damaged:

The pegboard must be mounted on a solid wall.

The pegboards shall not be installed on too thin wooden walls.

The pegboards shall not be installed on rotten or loose wooden walls.

The weight of the items to be hung shall not exceed the load of the pegboard.

When replacing the hook, it must be selected to match the size of the pegboard.

Avoid sharp points, blades, and other items to scratch the product



CAUTION:

Carefully read instructions and procedures for safe operations.

Save This Manual

MODEL AND PARAMETERS

Model SPEC.	HB641601	HB641602	HB9632
Material	Steel	Steel	Steel
Max.Weight Capacity (single pegboard)	165lbs	165lbs	165lbs
Pegboard Size(L*W)	32" *16"	32" *16"	32" *16"
Hole Spec.	1/4"	1/4"	1/4"
Sheet Thickness	1.0mm	1.0mm	1.0mm
Surface Treatment (pegboard)	Galvanization+Powder Spraying	Galvanization+Powder Spraying	Galvanization+Powder Spraying
Color	white	white	white

COMPONENTS

Model Parts	HB641601	HB641602	HB9632
Pegboard	×2	×2	×3
Hook	/	×15	×20
Storage Box	/	×5	×5
Storage Box Holder	/	×5	×5
Screwdriver Holder	/	×1	×1
Rack	/	×1	×1
Shelf	/	×1	×2
Mounting Block	/	×6	×8
U Hook	/	/	×4
Wrench Holder	/	/	×1
Limit Plug	/	×8	×12
Expansion Plug	×8	×12	×16
Self-tapping Screw	×8	×12	×16
Positioning Cardboard	/	×1	×1
User's Manual	×1	×1	×1

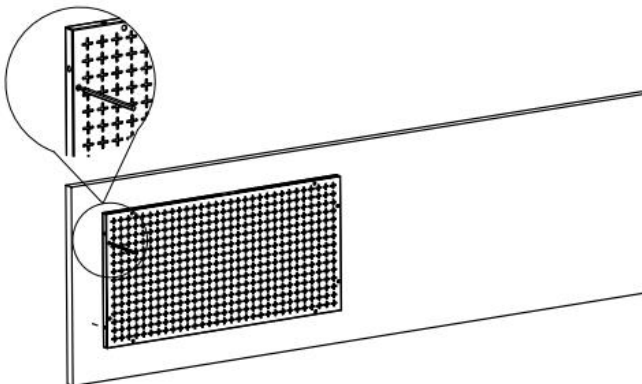
INSTALLATION INSTRUCTION

Installation Preparation:

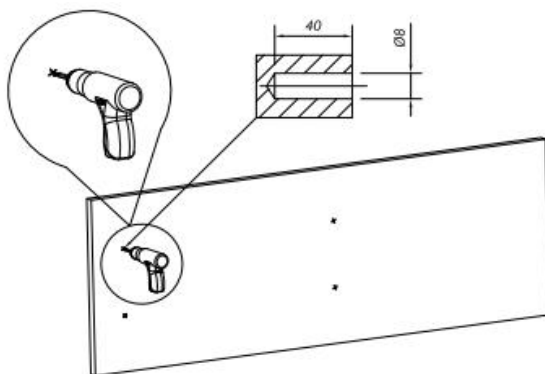
1. Two or more people to assemble the pegboard.
2. Please prepare a carpet or mat to protect your floor you need to spread out all the accessories.
3. Please prepare gloves to avoid being scratched by sharp parts that may occur during installation.
4. Please open all the boxes to check if the accessories are complete and in good condition.
5. If you need to use power tools to install this product, please set the speed to low speed in advance.
6. When installing, please align all the holes and do not tighten all the screws first, otherwise, it may make the installation difficult.

For Concrete Wall Installation

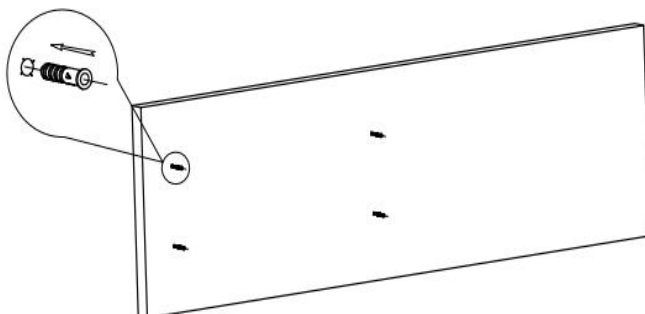
STEP 1: Place the hanging board near the installed wall and mark the holes with a fine nail or pencil.(Note:Two holes on the left, two holes on the right)



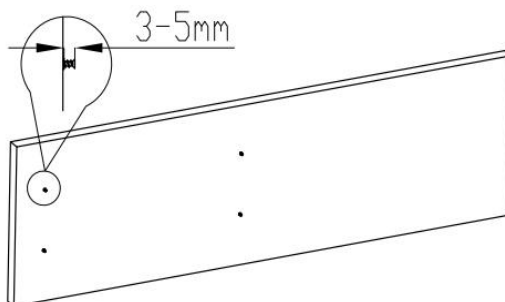
STEP 2: Drill holes 8mm in diameter and 40mm in depth at the marked places.(Note: Prepare your own drilling tools.)



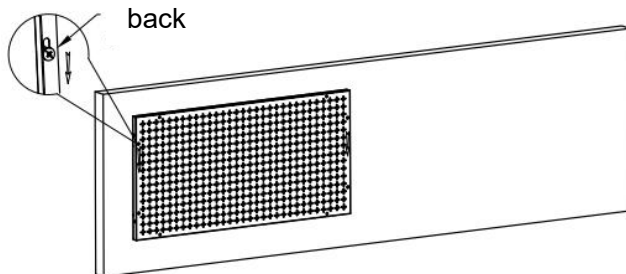
STEP 3: Nail the four expansion plugs completely into the hole.



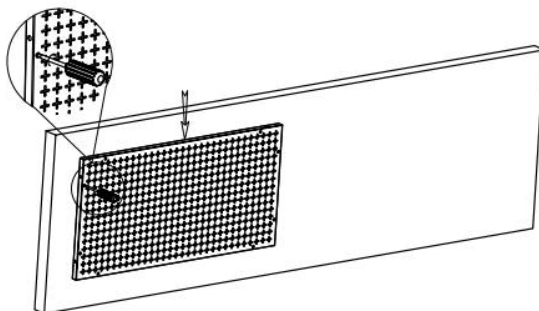
STEP 4: Screw the self-tapping screw into the expansion plug hole, leaving 3~5mm exposed.



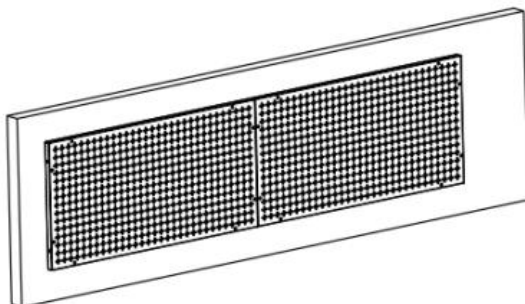
STEP 5: Hang the pegboard on the self-tapping screws, as shown in the picture.



STEP 6: Ensure that the four self-tapping screws are hung into the mounting holes of the pegboard and tighten the self-tapping screws.

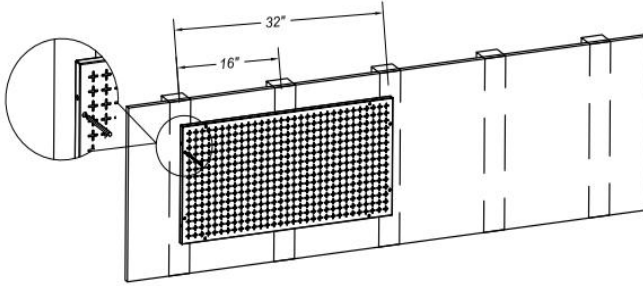


STEP 7: Follow the steps above to install other pegboards.
(Note: The pegboard is placed horizontally and vertically, and the installation method is the same.)

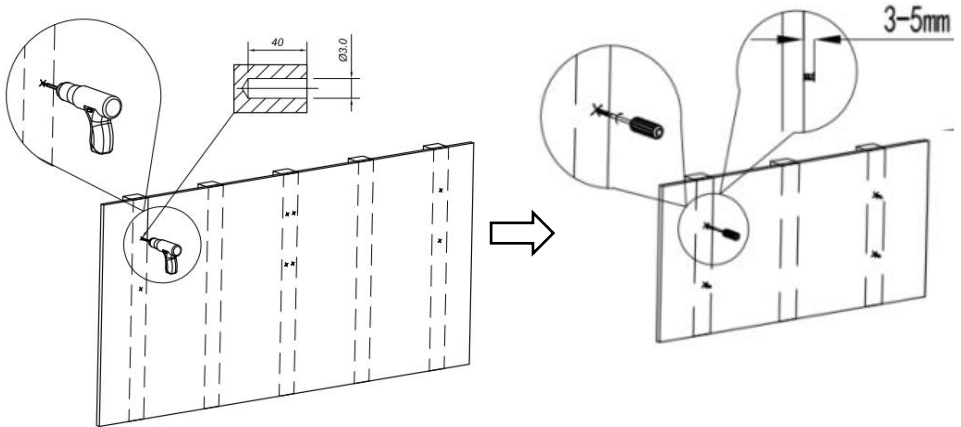


For Wooden Wall Post Installation

STEP 1: Align edge of pegboard with center-line of post, and mark the holes with a fine nail or pencil. (Note: Two holes on the left, two holes on the right)

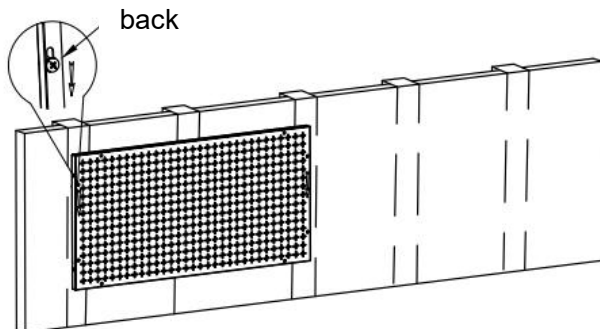


STEP 2: Drill holes 3mm in diameter and 40mm in depth at the marked places, screw the self-tapping screw into the holes, leaving 3~5mm exposed. (Note: Prepare your own tools.)

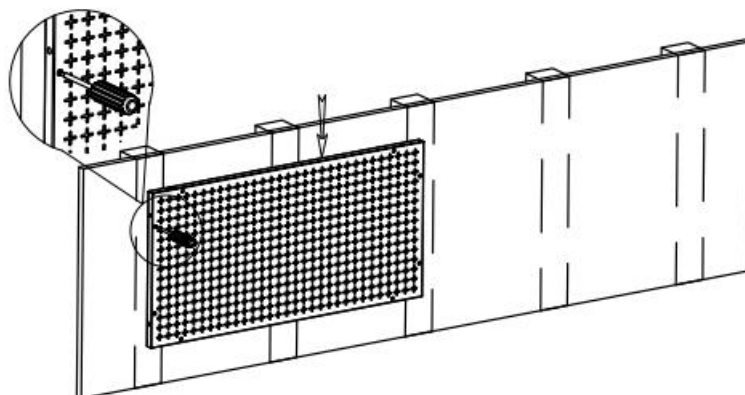


STEP 3: Hang the pegboard on the self-tapping screws, as shown in the

picture.

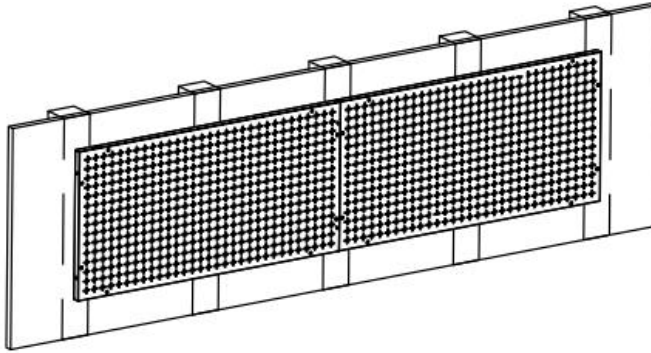


STEP 4: Ensure that the four self-tapping screws are hung into the mounting holes of the pegboard and tighten the self-tapping screws.



STEP 5: Follow the steps above to install other pegboards.

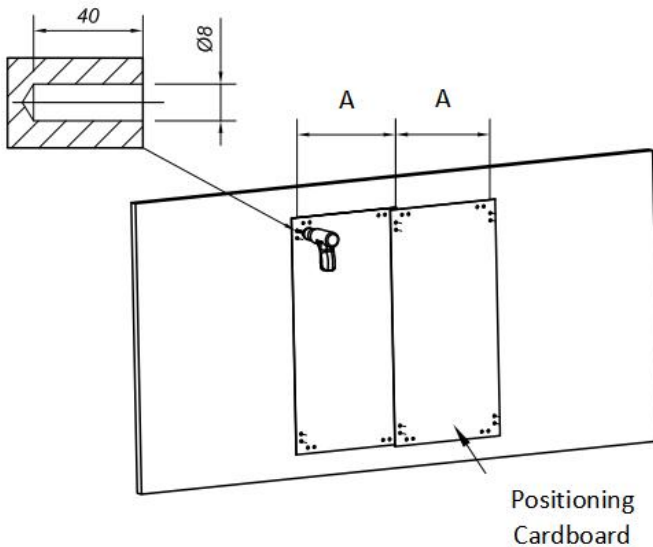
(Note: The pegboard is placed horizontally and vertically, and the installation method is the same.)



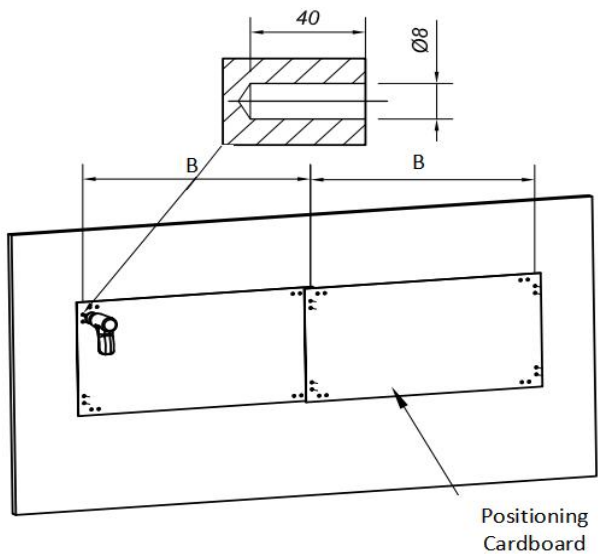
For Mounting Block + Concrete Wall Installation

STEP 1: Lay the positioning cardboard on the wall to be installed, drill the marking holes according to the holes marked on the positioning cardboard. Take away cardboard and drill holes 8mm in diameter and 40mm in depth at the marking holes. (Note: Prepare your own drilling tools.) Nail the expansion plugs completely into the hole.

Vertical: $A=406\text{mm}$

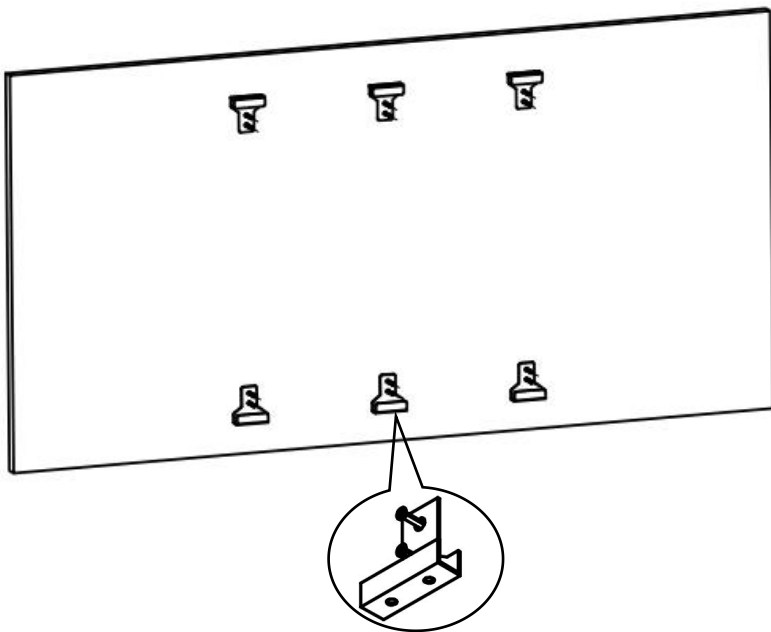


Horizontal: B=814mm

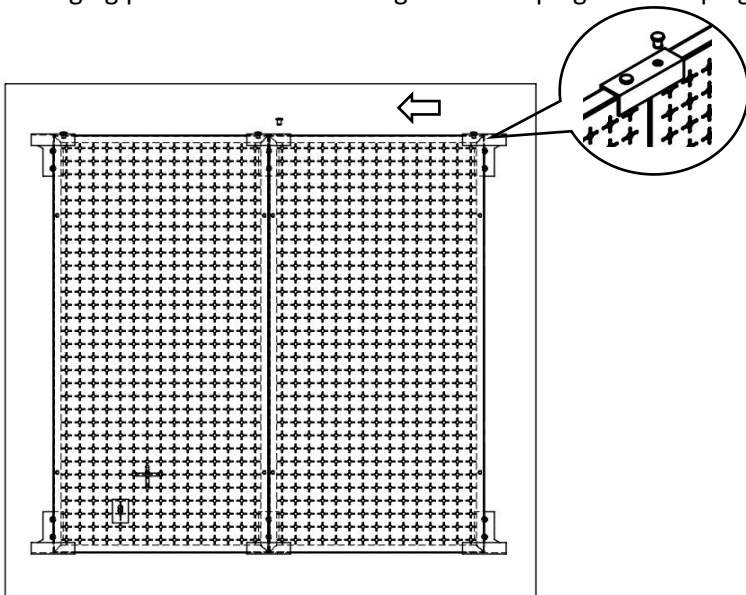


STEP 2: Fix the mounting block with self-tapping screws as shown(Vertical).

Note:Horizontal and vertical installation method is the same.

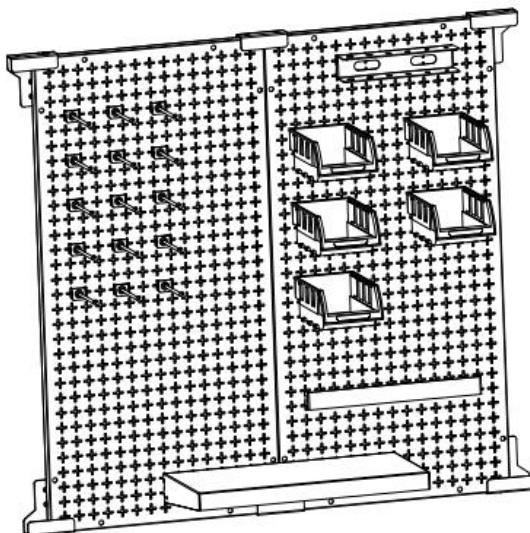


STEP 3: Insert the hanging plate into the mounting block and plug the limit plug as shown.



STEP 4: Follow the steps above to install other pegboards.

When the installation is complete, you can hang your items.



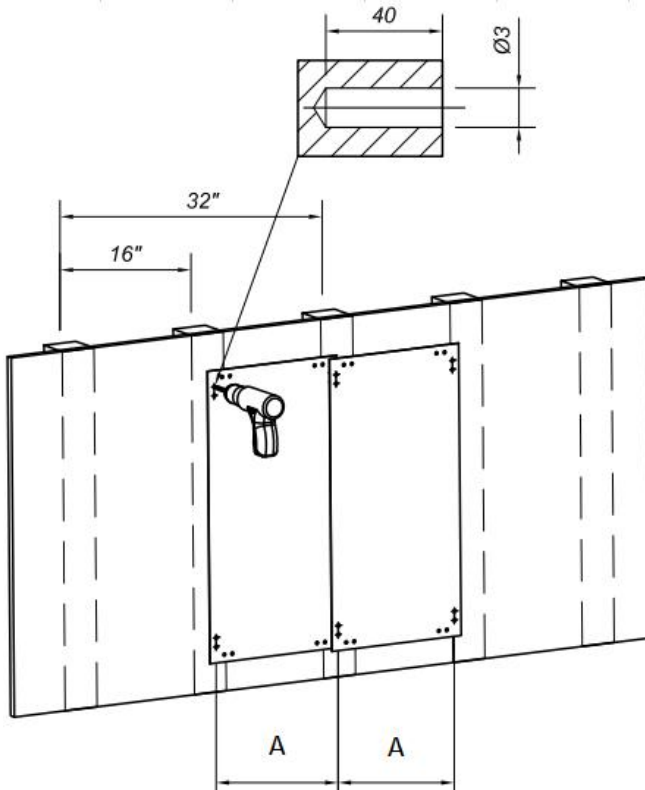
For Mounting Block + Wooden Wall Post Installation

STEP 1: Lay the positioning cardboard on the wall to be installed, and the center of the hole on cardboard is located on the center-line of post.

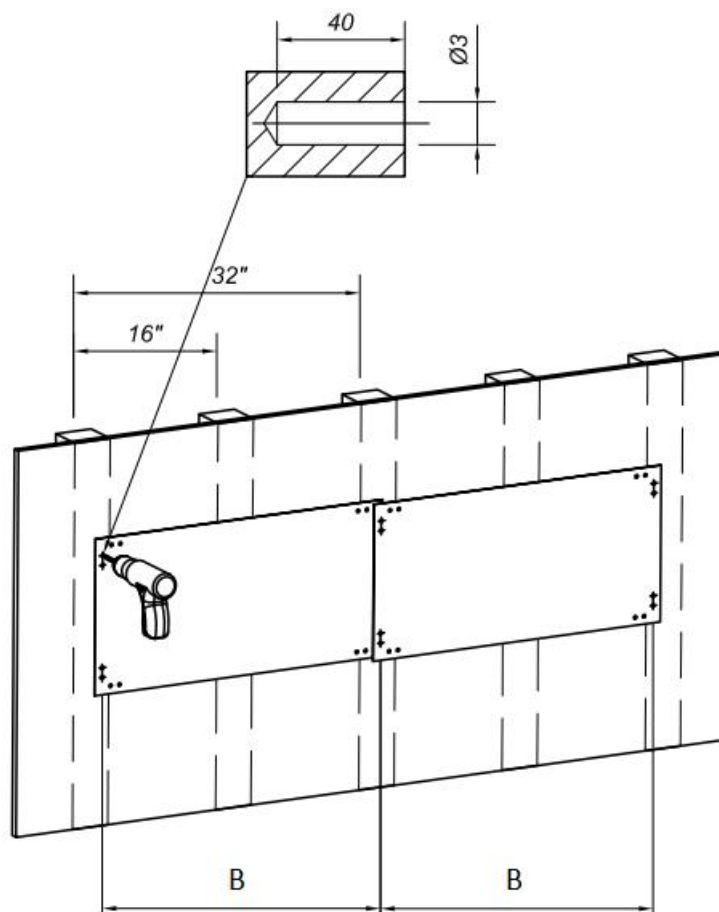
Drill the marking holes according to the holes marked on the positioning cardboard.

Take away cardboard and drill holes 3mm in diameter and 40mm in depth at the marking holes. (Note: Prepare your own drilling tools.)

Vertical: $A=406\text{mm}$

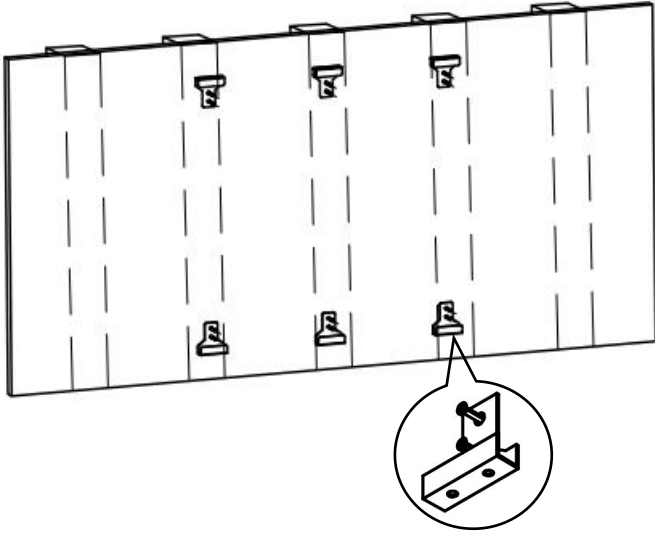


Horizontal: B=814mm

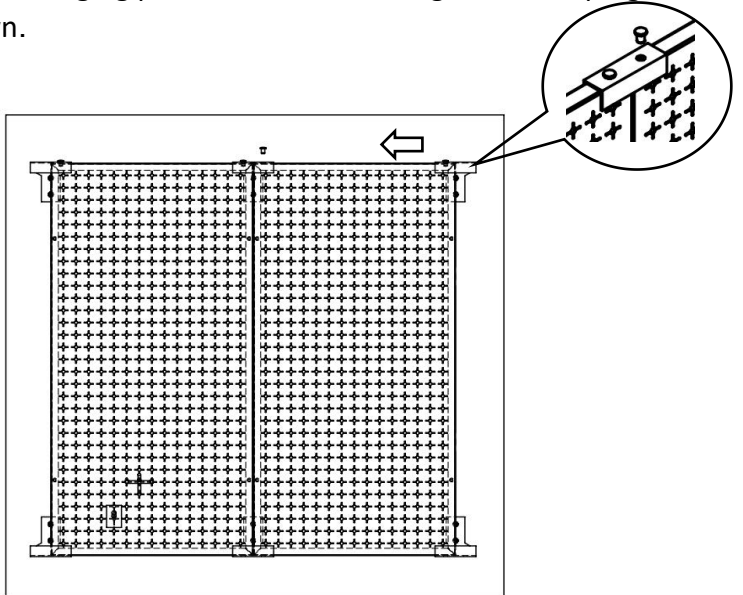


STEP 2: Fix the mounting block with self-tapping screws as shown(Vertical).

Note:Horizontal and vertical installation method is the same.

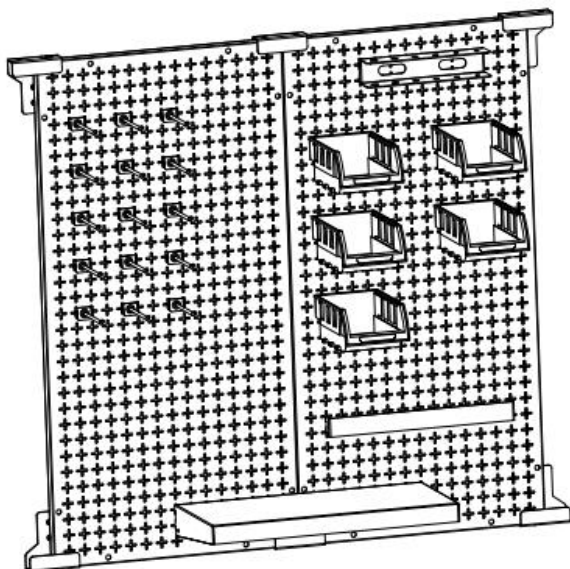


STEP 3: Insert the hanging plate into the mounting block and plug the limit plug as shown.

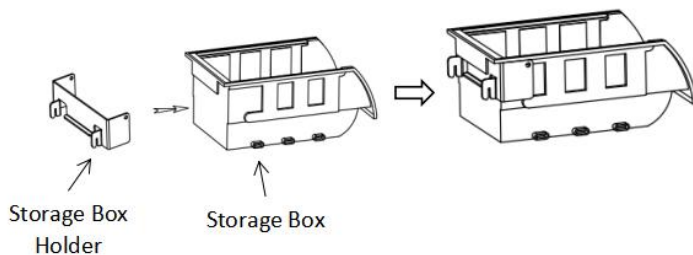


STEP 4: Follow the steps above to install other pegboards.

When the installation is complete, you can hang your items.



Storage box assembly:



MAINTENANCE

- Do not exceed the weight capacity.
- After use, please clean and dry the product in a dry ventilated place.

Address: Baoshanqu Shuangchenglu 803long 11hao 1602A-1609shi
Shanghai

Imported to USA: VEVOR STORE INC, 9448 RINCHMOND PL #E
RANCHO CUCAMONGA, California, 91730 United States of America



Pooledas Group Ltd
Unit 5 Albert Edward House, The Pavilions
Preston, United Kingdom



SHUNSHUN GmbH
Römeräcker 9 Z2021, 76351
Linkenheim-Hochstetten, Germany

Made In China

VEVOR[®]

TOUGH TOOLS, HALF PRICE

Technical Support and E-Warranty Certificate

www.vevor.com/support