

VEVOR[®]

TOUGH TOOLS, HALF PRICE

Technical Support and E-Warranty Certificate www.vevor.com/support

KITCHEN ISLAND USER MANUAL

MODEL:SR221264

We continue to be committed to provide you tools with competitive price.

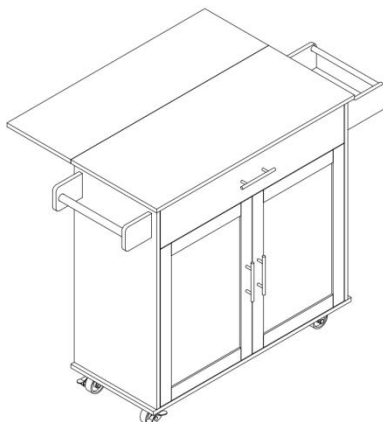
"Save Half", "Half Price" or any other similar expressions used by us only represents an estimate of savings you might benefit from buying certain tools with us compared to the major top brands and does not necessarily mean to cover all categories of tools offered by us. You are kindly reminded to verify carefully when you are placing an order with us if you are actually saving half in comparison with the top major brands.

VEVOR®

TOUGH TOOLS, HALF PRICE

KITCHEN ISLAND
(MODEL:SR221264)

Thanks for purchasing one of our products, please read carefully the assembly instructions before the installation.



Model: SR221264

NEED HELP? CONTACT US!

Have product questions? Need technical support? Please feel free to contact us:

 CustomerService@vevor.com

This is the original instruction, please read all manual instructions carefully before operating. VEVOR reserves a clear interpretation of our user manual. The appearance of the product shall be subject to the product you received. Please forgive us that we won't inform you again if there are any technology or software updates on our product.

PRODUCT PARAMETERS

Model	ProductSize/mm (When the folding board is opened)	Loading Capacity	Top panel size(mm)
SR221264	1190x695x905	200 lb (Max)	900x390 900x290 (Folding board)

ASSEMBLY PRECAUTIONS

1. Assemble needs to follow these instructions. Incorrect assembly can be a hazard.
2. Wear safety goggles and heavy-duty work gloves during assembly.
3. Do not assemble when tired or under the influence of alcohol, drugs or medication.
4. Weight capacity and other product capabilities only apply to a wholly and correctly assembled product.
5. Keep the assembly area clean and well-lit.
6. Keep bystanders out of the area during assembly.
7. The weight of plate is heavy; pay attention to the installation to avoid hurting it, and if necessary, find someone to assist with the installation.

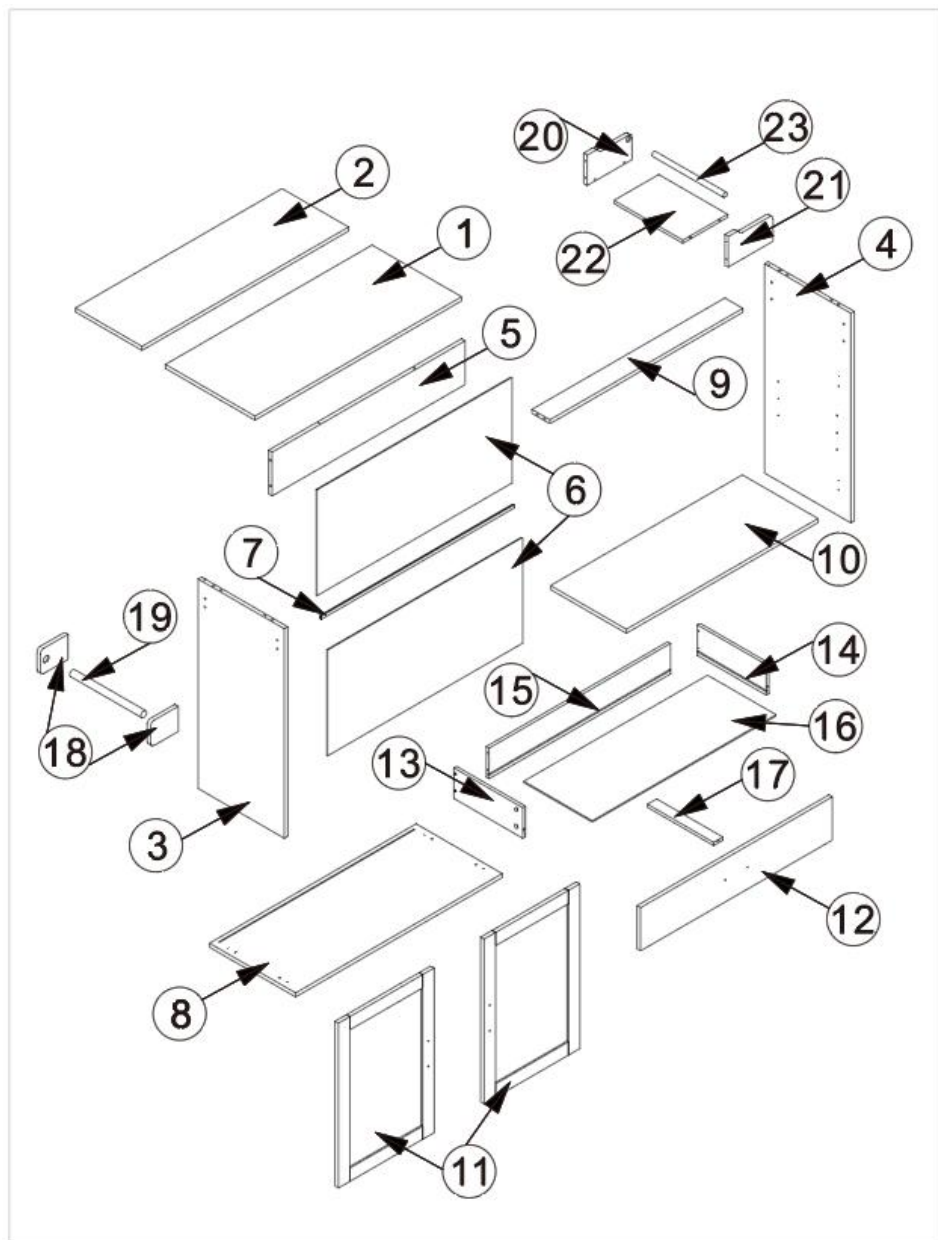
USE PRECAUTIONS








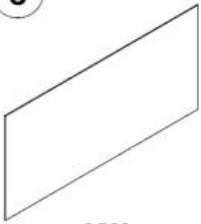









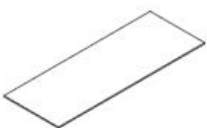
WARNING: TO PREVENT SERIOUS INJURY AND DEATH FROM TIPPING:





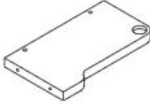


1. This product is not a toy. Do not allow children to play with or approach this item.
2. Use as intended only. Do not sit or stand on the product.
3. Inspect before every use. Do not use it if parts are loose or damaged.
4. Use on flat, level, and hard surfaces only.
5. Do not exceed the listed weight capacity. Tighten all knobs securely before applying load. Be aware of dynamic loading! The sudden load movement may briefly create an excess load, causing product failure.






















Exploded Drawing



PARTS LIST

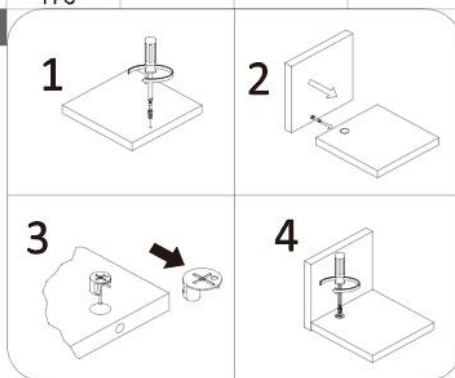
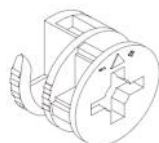
<p>1</p>  <p>1 PC</p>	<p>2</p>  <p>1 PC</p>	<p>3</p>  <p>1 PC</p>	<p>4</p>  <p>1 PC</p>
<p>5</p>  <p>1 PC</p>	<p>6</p>  <p>2 PCS</p>	<p>7</p>  <p>1 PC</p>	<p>8</p>  <p>1 PC</p>
<p>9</p>  <p>1 PC</p>	<p>10</p>  <p>1 PC</p>	<p>11</p>  <p>2 PCS</p>	<p>12</p>  <p>1 PC</p>
<p>13</p>  <p>1 PC</p>	<p>14</p>  <p>1 PC</p>	<p>15</p>  <p>1 PC</p>	<p>16</p>  <p>1 PC</p>

<p>17</p>  <p>1 PC</p>	<p>18</p>  <p>2 PCS</p>	<p>19</p>  <p>1 PC</p>	<p>20</p>  <p>1 PC</p>
<p>21</p>  <p>1 PC</p>	<p>22</p>  <p>1 PC</p>	<p>23</p>  <p>1 PC</p>	

A M6*35  23 PCS	B Ø15*10  23 PCS	C Ø6*30  8 PCS	D M4*35  4 PCS	E M4*20  6 PCS	F  3 PCS	G M3*12  8 PCS	H M7*50  8 PCS
I M5*14  26 PCS	J  2 PCS	K  2 PCS	L M4*30  5 PCS	M M4*14  24 PCS	N  4 PCS	O  4 PCS	P  2 PCS
Q  1 PC	CL  1 PC	CR  1 PC	DL  1 PC	DR  1 PC			

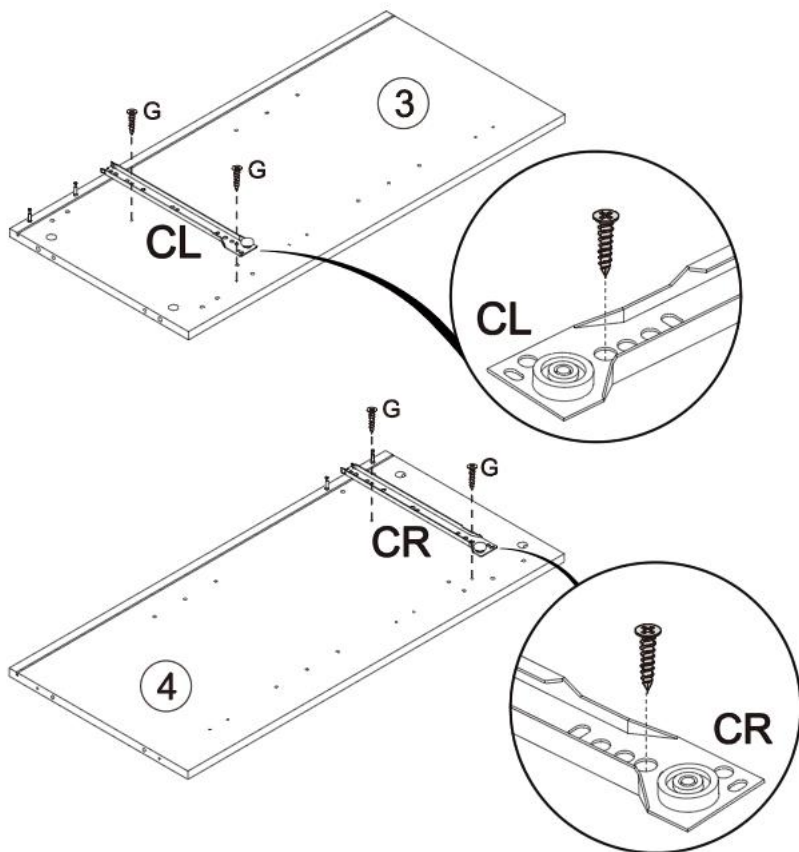
Cam Lock Fastening System

This Cam Lock Fastening System will be used throughout the assembly process



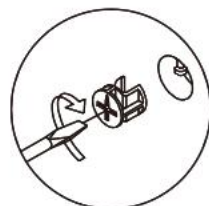
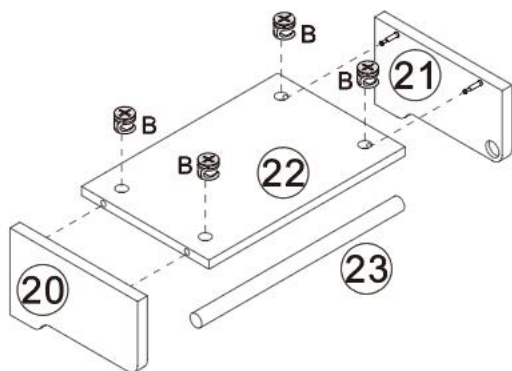
2

	CLx1
	CRx1
 M3*12	Gx4



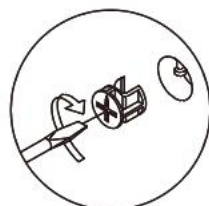
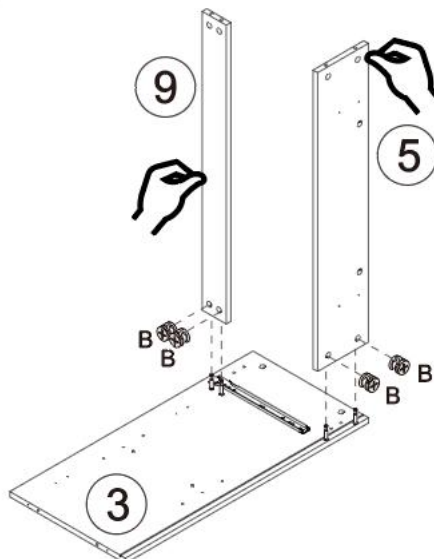
3

 $\varnothing 15 \times 10$ **Bx4**

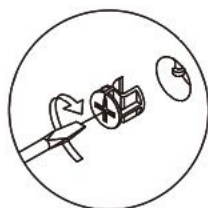
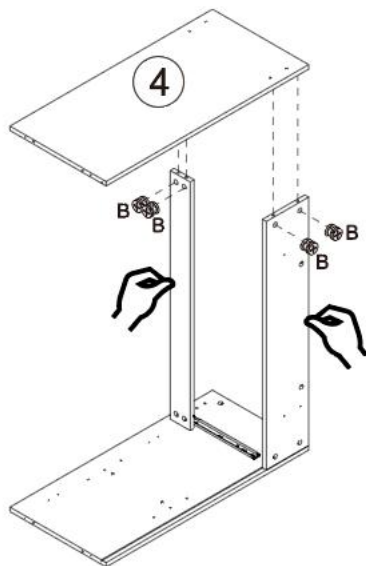


4

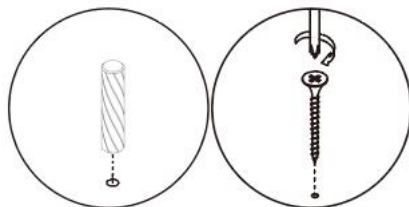
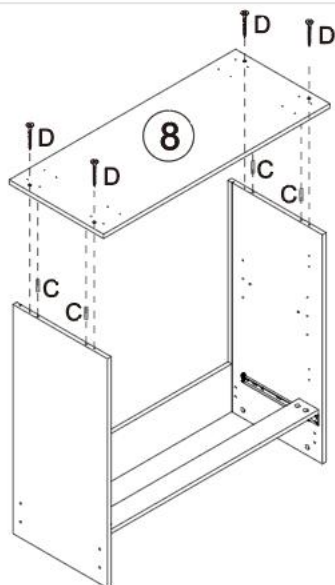
 $\varnothing 15 \times 10$ **Bx4**



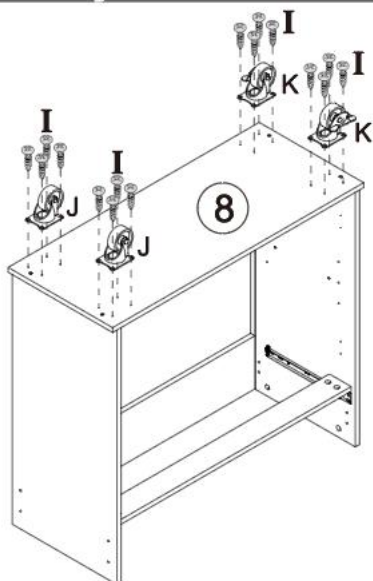
5




**Bx4**

6

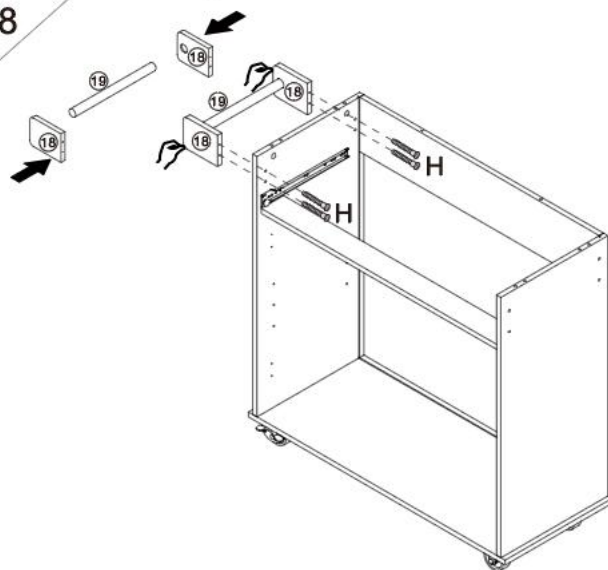
**Cx4****Dx4**

7

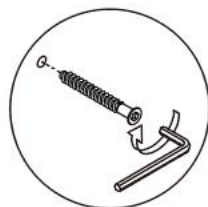


 M5*14	Ix16
	Jx2
	Kx2

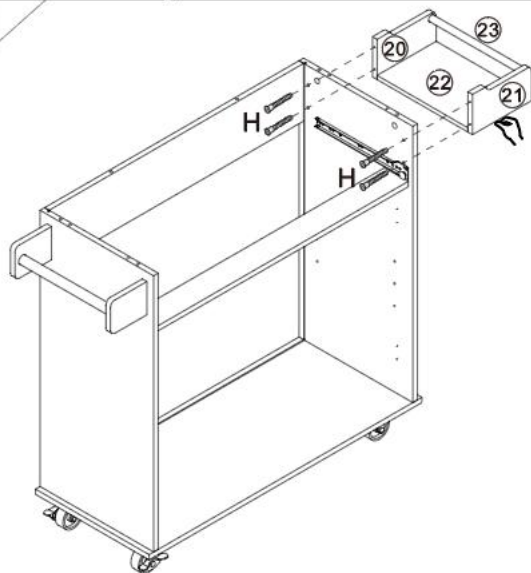
8



 M7*50	Hx4
---	------------

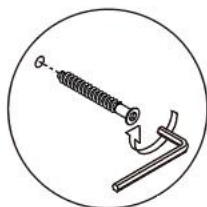


9

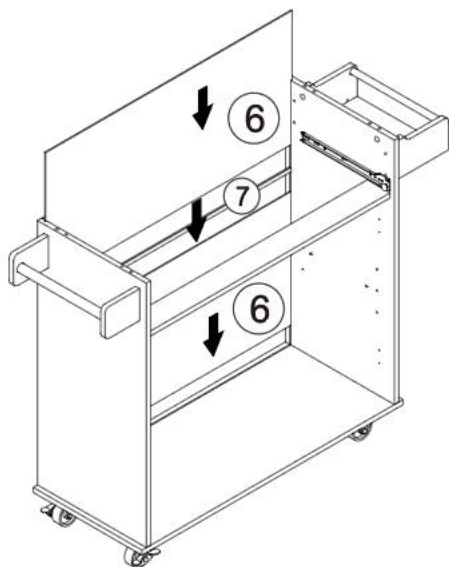


M7*50

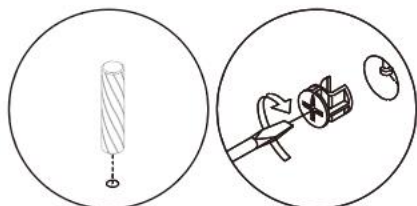
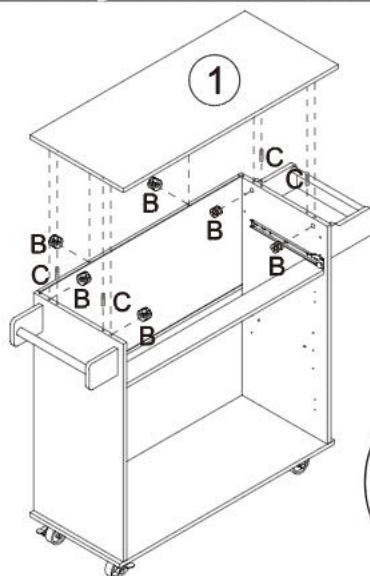
Hx4



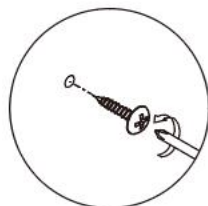
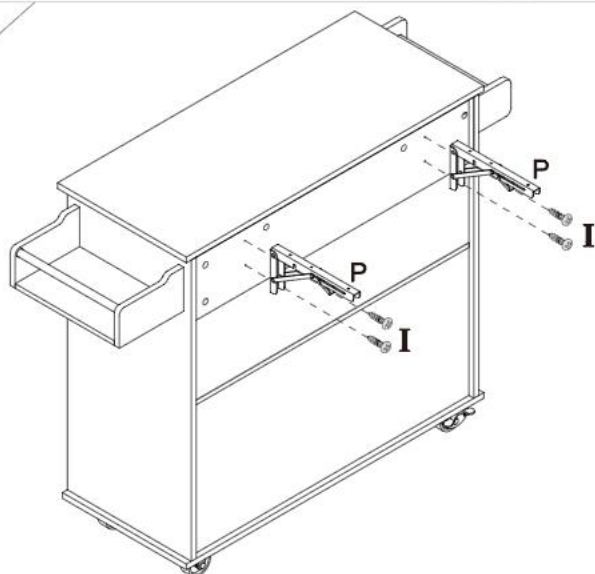
10



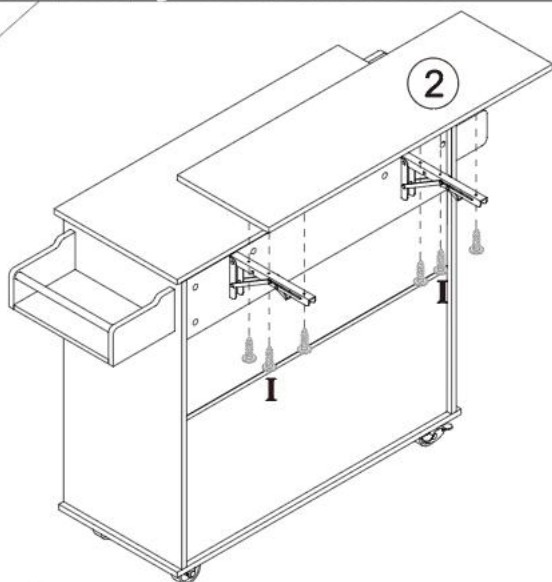
11



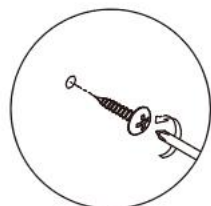
12



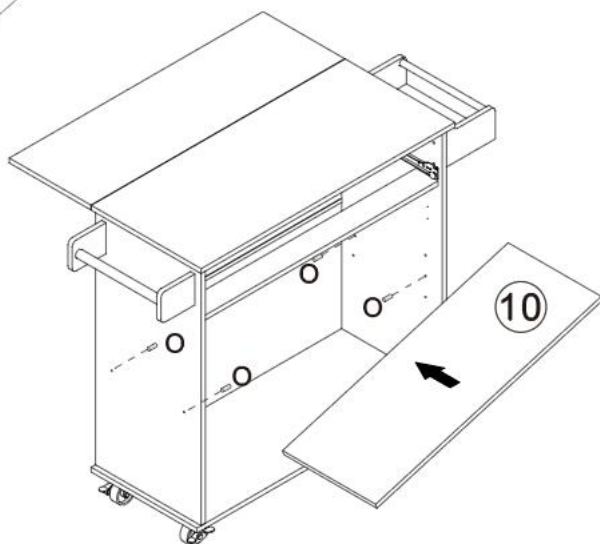
13



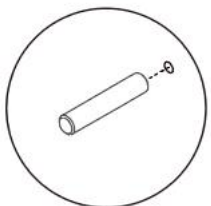
M5*14 **I**x6



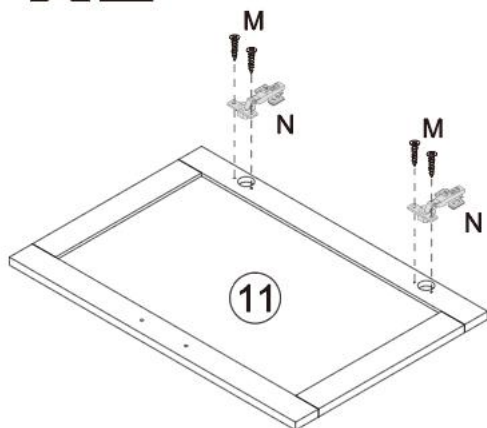
14



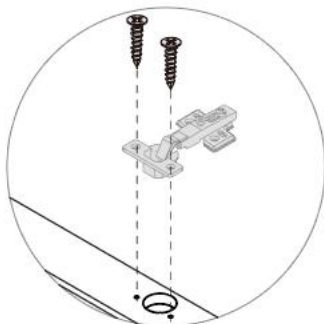
Ox4



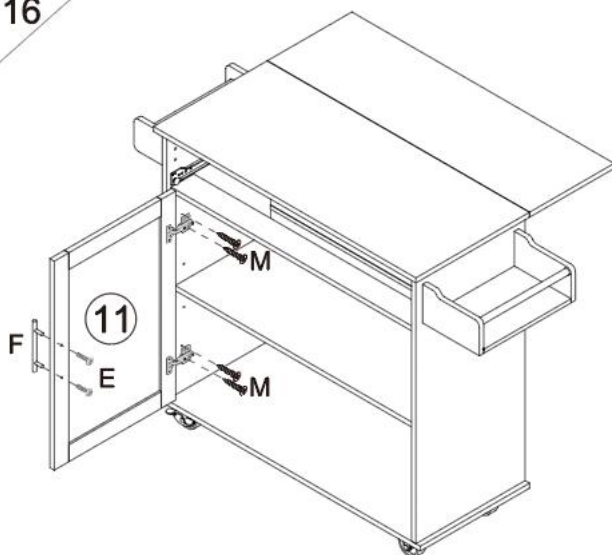
15

x2

 M4x14	Mx8
	Nx4

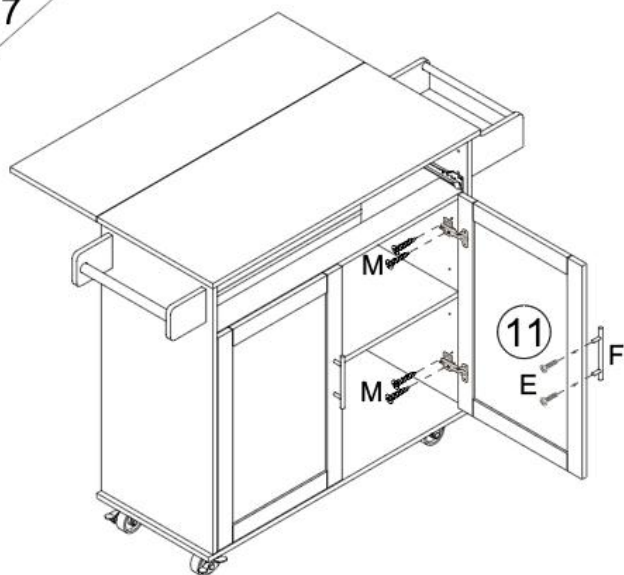





16



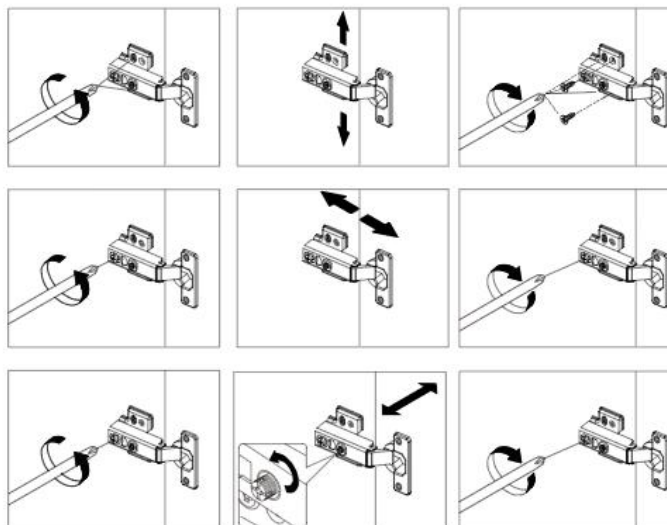
 M4x20	E_{x2}
	F_{x1}
 M4x14	M_{x4}


17



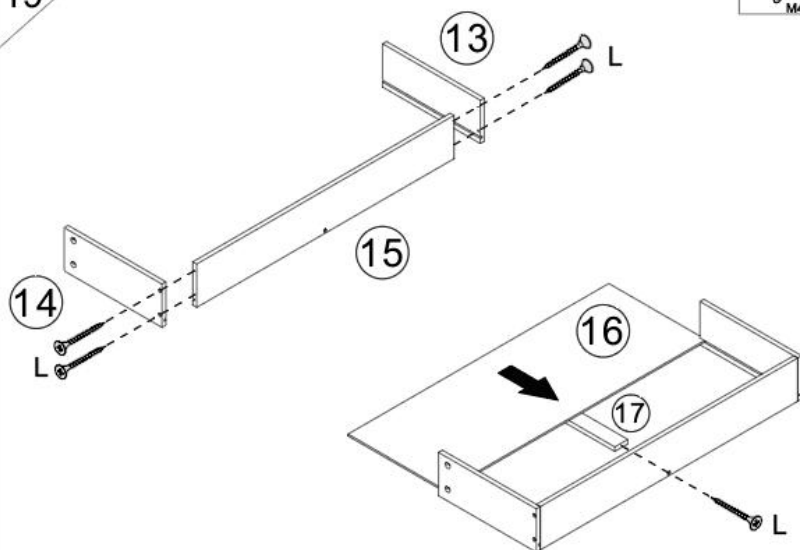
 M4*20	E x2
	F x1
 M4*14	M x4

18

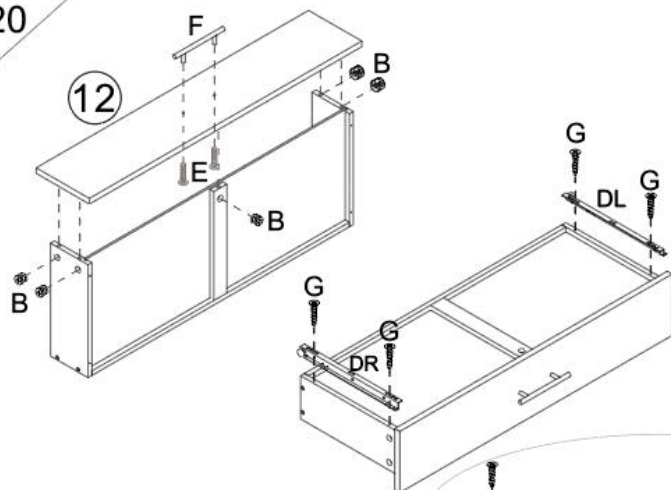








 M4*14	M x8
---	-------------

19

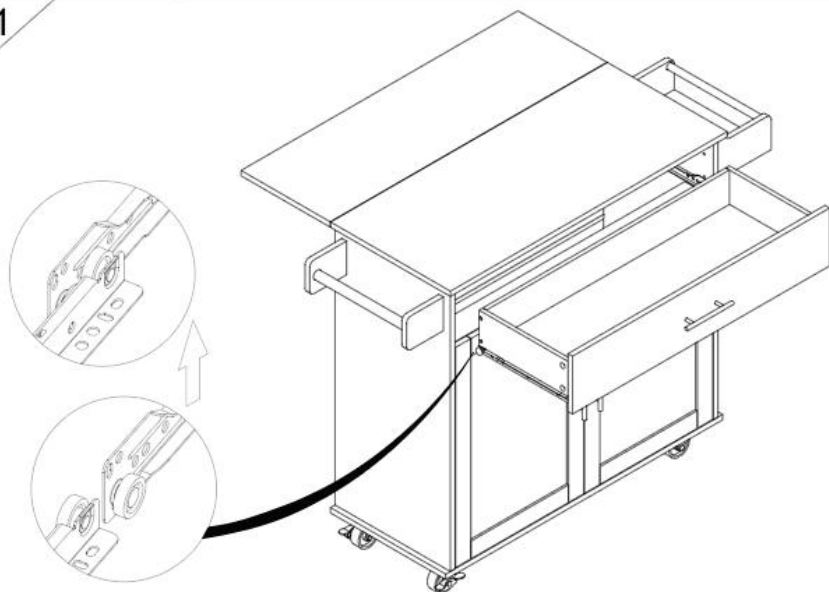
 M4*30 **Lx5**


20

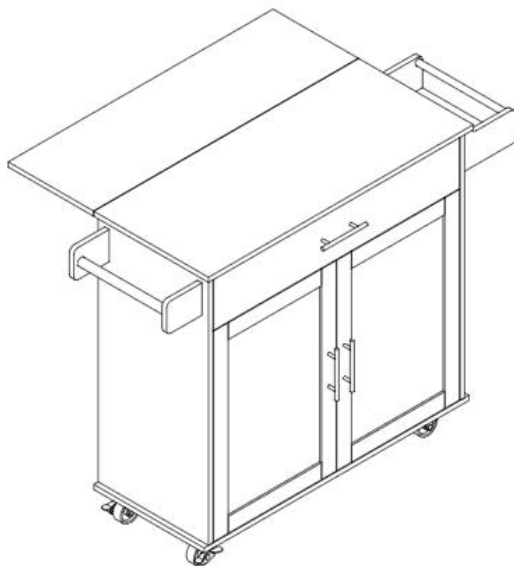


 Ø15*10	Bx5
 M4*20	Ex2
	Fx1
	DLx1
	DRx1
 M3*12	Gx4

21

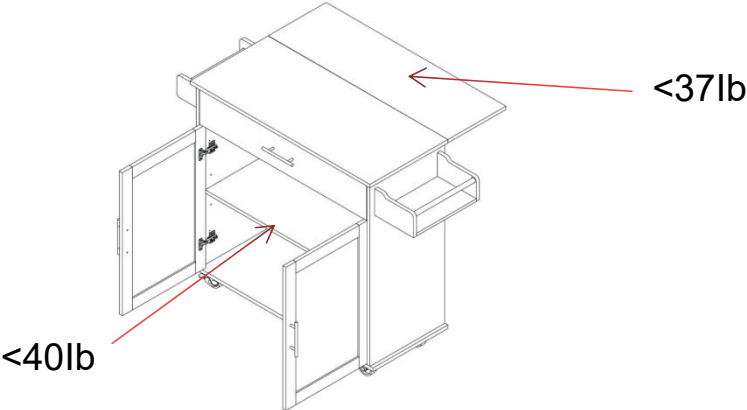


22

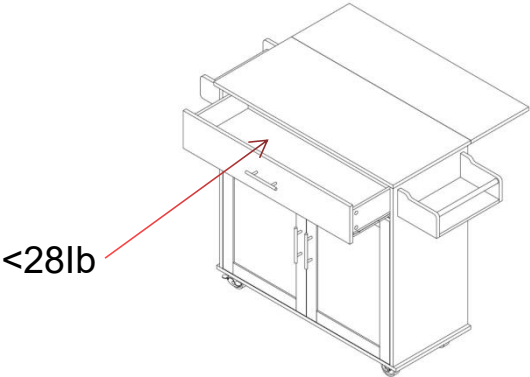


General Care

- 1. Make sure each layer should not exceed 40lb loading weight.
- 2. Make sure Folding board should not exceed 37lb loading weight.



- 3. Make sure each drawer should not exceed 28lb loading weight.



Cleaning

-For cleaning, wipe the surface with a damp (not wet) cloth or wipe dry with a clean lint free cotton cloth.

VEVOR[®]

TOUGH TOOLS, HALF PRICE

Support and E-Warranty Certificate <https://www.vevor.com/support>