

VEVOR[®]

TOUGH TOOLS, HALF PRICE

Technical Support and E-Warranty Certificate www.vevor.com/support

KITCHEN ISLAND USER MANUAL

MODEL:SR191276

We continue to be committed to provide you tools with competitive price.

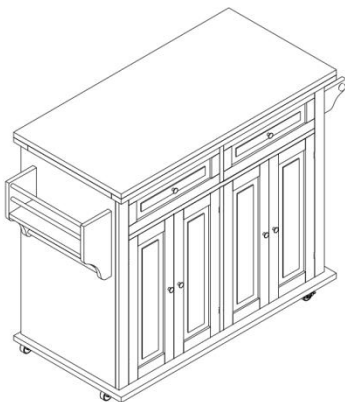
"Save Half", "Half Price" or any other similar expressions used by us only represents an estimate of savings you might benefit from buying certain tools with us compared to the major top brands and does not necessarily mean to cover all categories of tools offered by us. You are kindly reminded to verify carefully when you are placing an order with us if you are actually saving half in comparison with the top major brands.

VEVOR®

TOUGH TOOLS, HALF PRICE

KITCHEN ISLAND
(MODEL:SR191276)

Thanks for purchasing one of our products, please read carefully the assembly instructions before the installation.



Model: SR191276

NEED HELP? CONTACT US!

Have product questions? Need technical support? Please feel free to contact us:

 CustomerService@vevor.com

This is the original instruction, please read all manual instructions carefully before operating. VEVOR reserves a clear interpretation of our user manual. The appearance of the product shall be subject to the product you received. Please forgive us that we won't inform you again if there are any technology or software updates on our product.

PRODUCT PARAMETERS

Model	Product Size(mm)	Loading Capacity	Top panel size(mm)
SR191276	1100x450x825	300 lb (Max)	900x450

ASSEMBLY PRECAUTIONS

1. Assemble needs to follow these instructions. Incorrect assembly can be a hazard.
2. Wear safety goggles and heavy-duty work gloves during assembly.
3. Do not assemble when tired or under the influence of alcohol, drugs or medication.
4. Weight capacity and other product capabilities only apply to a wholly and correctly assembled product.
5. Keep the assembly area clean and well-lit.
6. Keep bystanders out of the area during assembly.
7. The weight of plate is heavy; pay attention to the installation to avoid hurting it, and if necessary, find someone to assist with the installation.

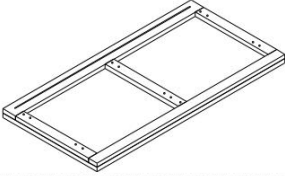
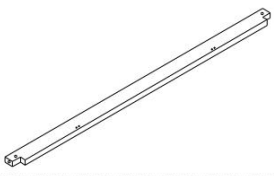
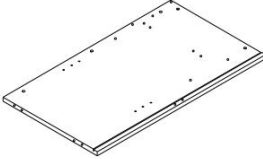
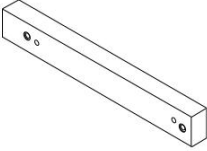
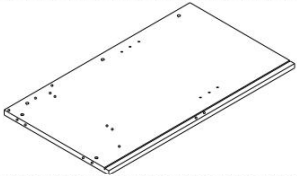
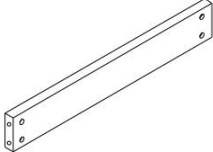
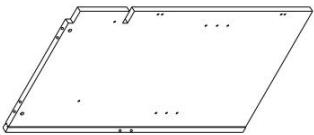

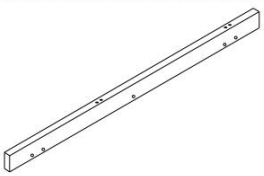
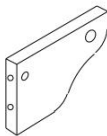
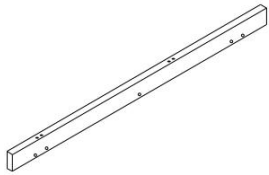
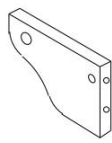
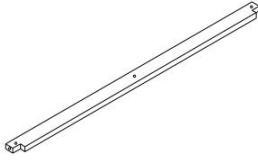
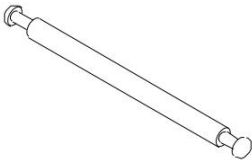
USE PRECAUTIONS

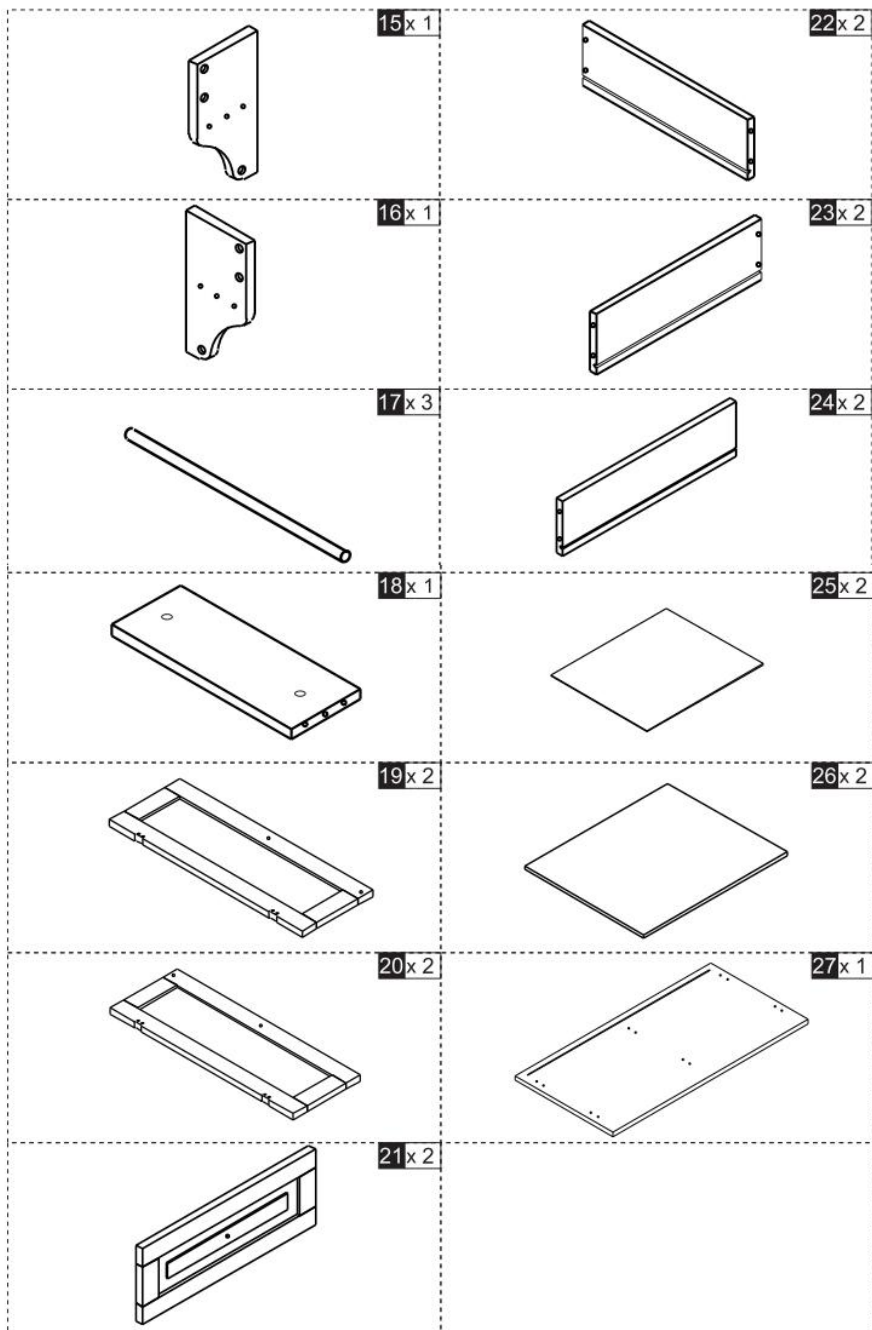






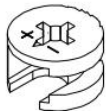












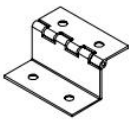



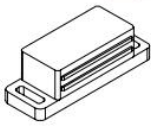


WARNING: TO PREVENT SERIOUS INJURY AND DEATH FROM TIPPING:

1. This product is not a toy. Do not allow children to play with or approach this item.
2. Use as intended only. Do not sit or stand on the product.
3. Inspect before every use. Do not use it if parts are loose or damaged.
4. Use on flat, level, and hard surfaces only.
5. Do not exceed the listed weight capacity. Tighten all knobs securely before applying load. Be aware of dynamic loading! The sudden load movement may briefly create an excess load, causing product failure.

PARTS LIST

	1x1		8x1
	2x1		9x2
	3x1		10x2
	4x1		11x2
	5x1		12x1
	6x1		13x1
	7x1		14x1

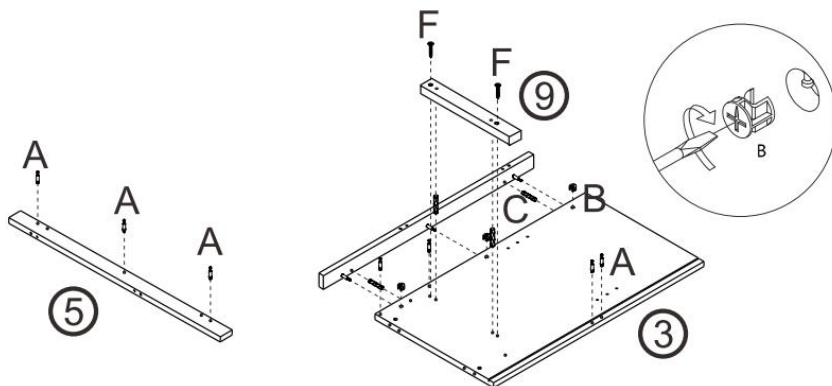


<p>A x34</p> 	<p>G x11 M4*35</p> 	<p>Q x 2</p> 	<p>W x 2 M4*8</p> 
<p>B x34</p> 	<p>H x 2 M6*45</p> 	<p>R x 2</p> 	<p>X x32 M3*10 +1(spare)</p> 
<p>C x30</p> 	<p>I x 4 M4*18</p> 	<p>S x 6</p> 	<p>CL x 2</p> 
<p>D x 2</p> 	<p>J x 4</p> 	<p>T x 8</p> 	<p>CR x 2</p> 
<p>E x20 M3*12</p> 	<p>K x 8</p> 	<p>U x 4 M3*14</p> 	<p>DL x 2</p> 
<p>F x12 M4*30</p> 	<p>L x 2</p> 	<p>V x16 M5*14</p> 	<p>DR x 2</p> 

ASSEMBLY STEPS

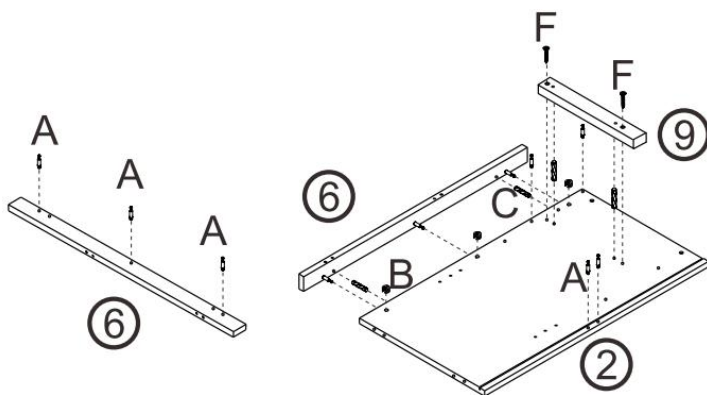
1

A	x 7
B	x 3
C	x 4
F	x 2



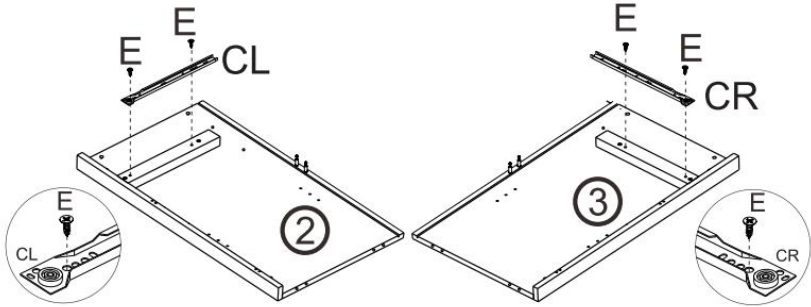
2

A	x 7
B	x 3
C	x 4
F	x 2



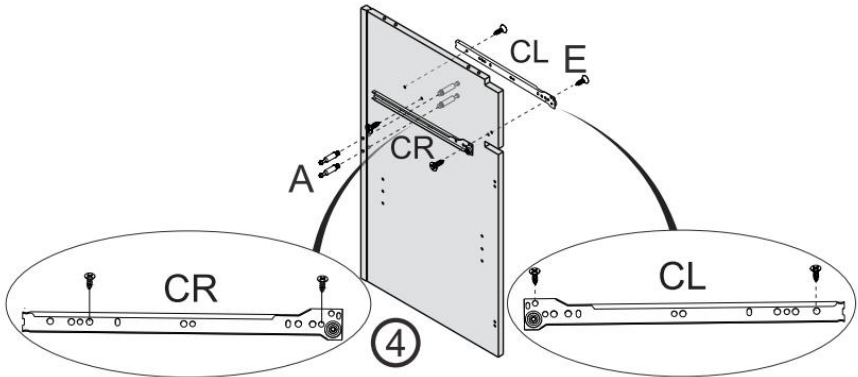
3

E	x 4
CL	x 1
CR	x 1



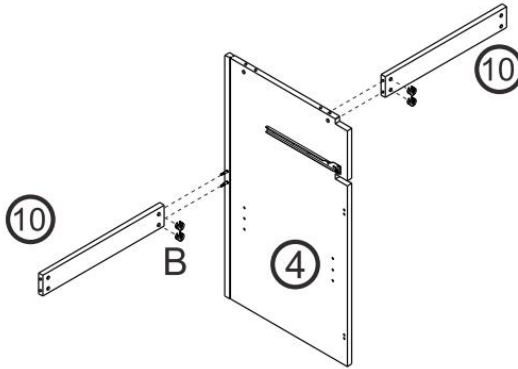
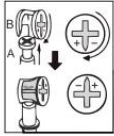
4

A	x 4
E	x 4
CL	x 1
CR	x 1



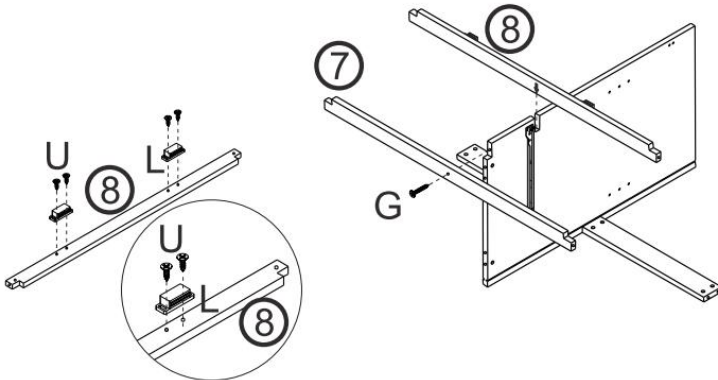
5

B x 4



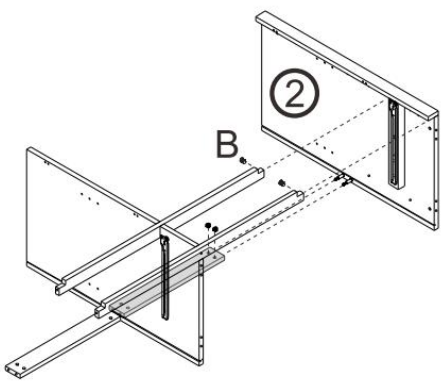
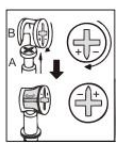
6

U x 4
L x 2
G x 1



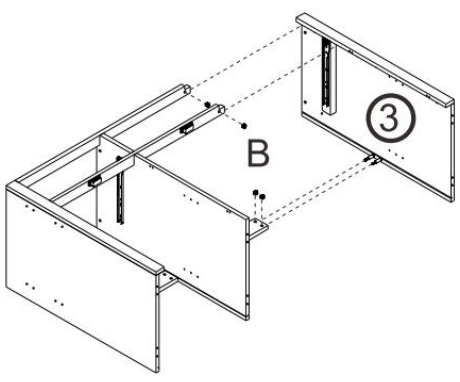
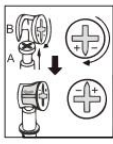
7

B x 4



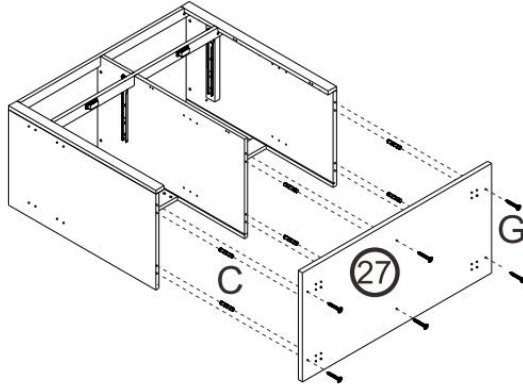
8

B x 4



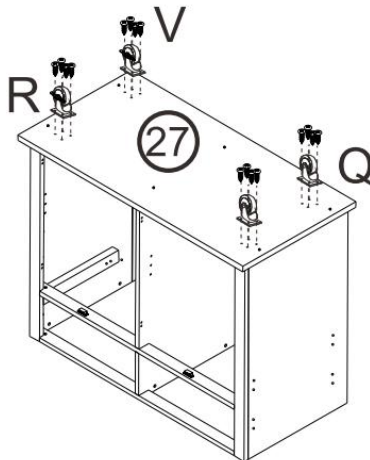
9

C x 6
G x 6

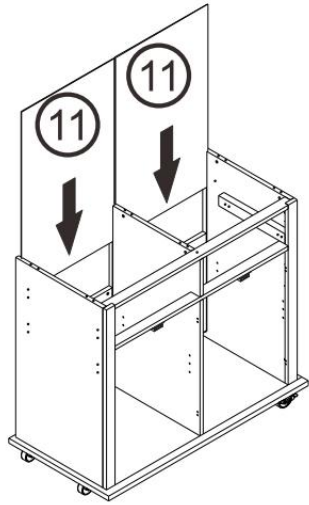


10

Q x 2
R x 2
V x 16

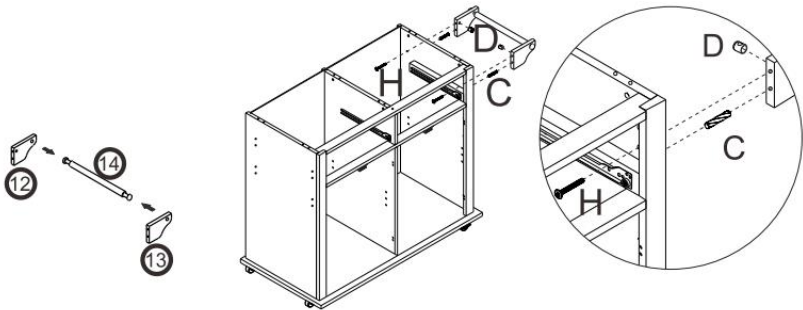


11



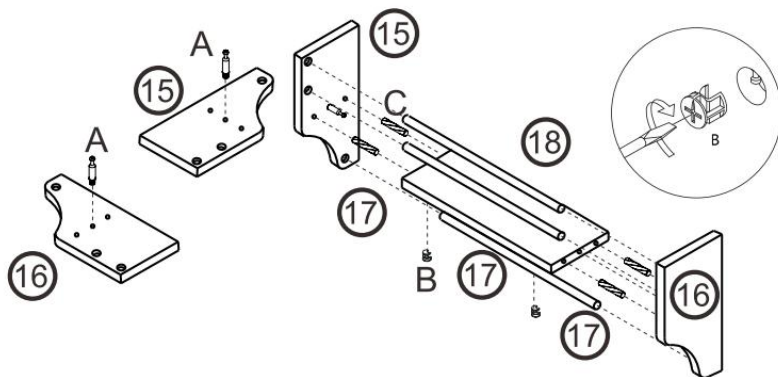
12

D x 2
H x 2
C x 2



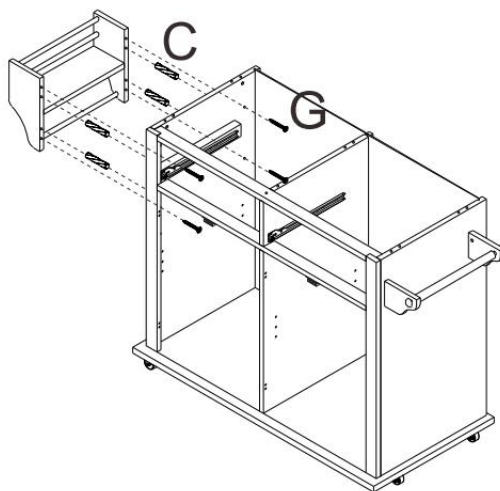
13

A	x2
B	x2
C	x4



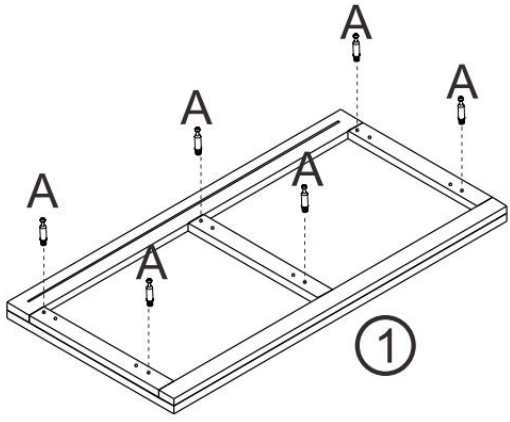
14

G	x4
C	x4



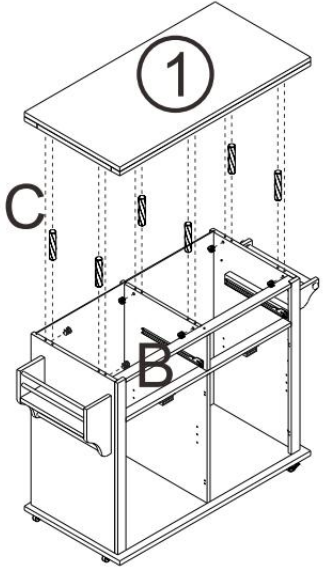
15

A x 6



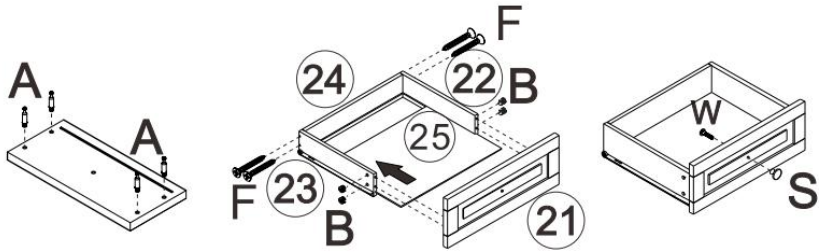
16

B x 6
C x 6



17

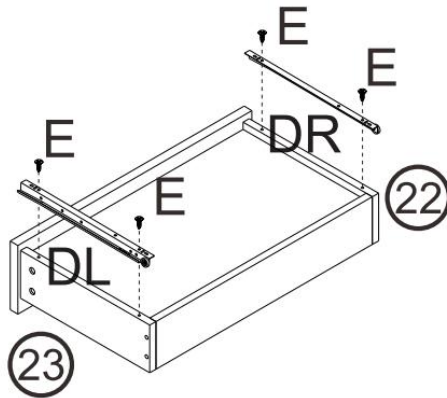
A	x 8
B	x 8
F	x 8
W	x 2
S	x 2



x2

18

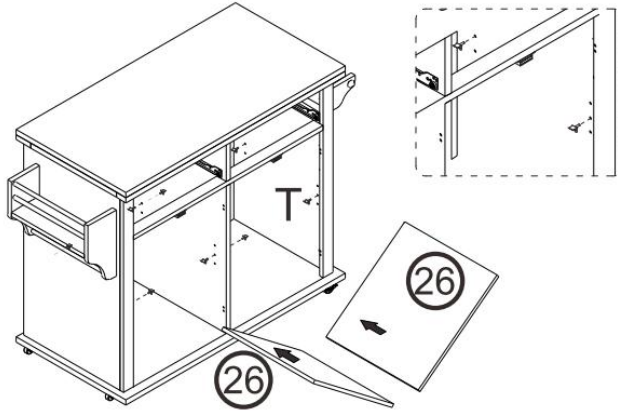
DL	x 2
DR	x 2
E	x 8



x2

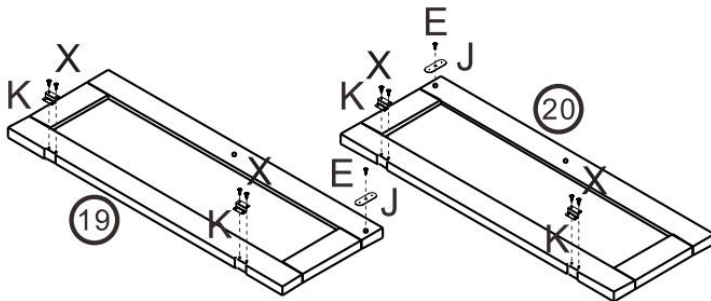
19

T x 8



20

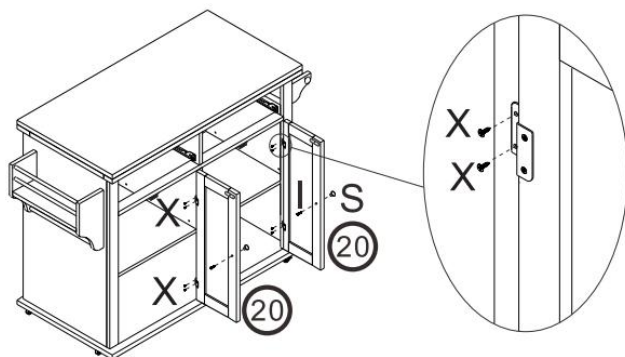
E x 4
J x 4
K x 8
X x 16



x2

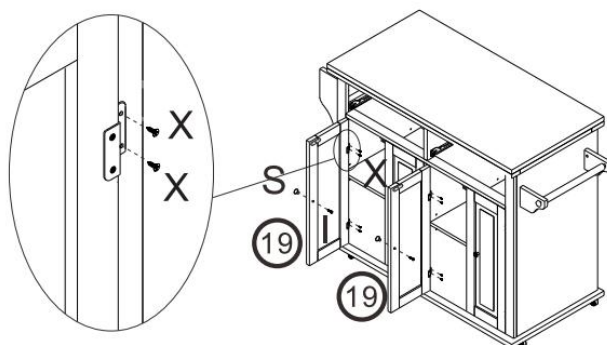
21

X	x 8
S	x 2
I	x 2

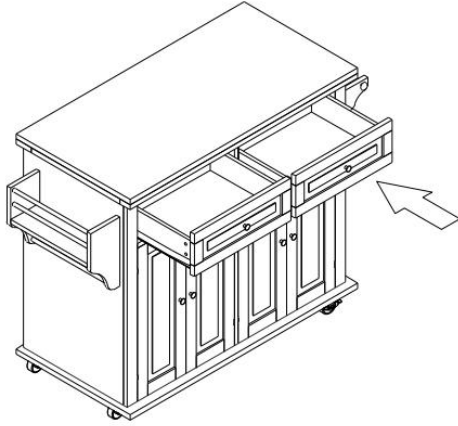
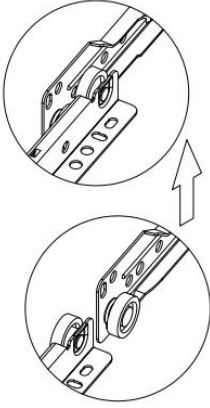


22

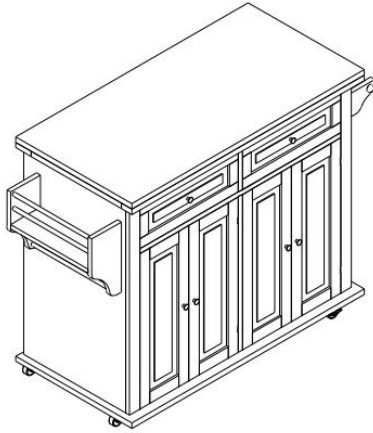
X	x 8
S	x 2
I	x 2



23

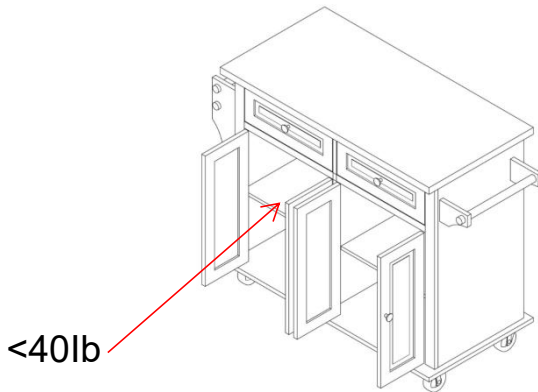


24

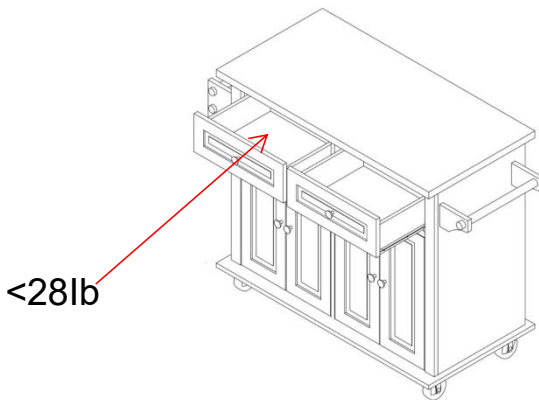


General Care

1. Make sure each layer should not exceed 40lb loading weight.



2. Make sure each drawer should not exceed 28lb loading weight.



Cleaning

-For cleaning, wipe the surface with a damp (not wet) cloth or wipe dry with a clean lint free cotton cloth.

VEVOR[®]

TOUGH TOOLS, HALF PRICE

Support and E-Warranty Certificate <https://www.vevor.com/support>