

VEVOR[®]

TOUGH TOOLS, HALF PRICE

Technical Support and E-Warranty Certificate www.vevor.com/support

Free Standing Stainless Steel Sink

User manual

We continue to be committed to provide you tools with competitive price.

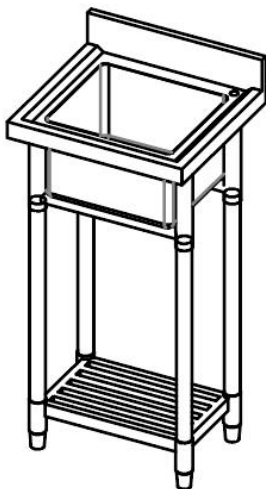
"Save Half", "Half Price" or any other similar expressions used by us only represents an estimate of savings you might benefit from buying certain tools with us compared to the major top brands and does not necessarily mean to cover all categories of tools offered by us. You are kindly reminded to verify carefully when you are placing an order with us if you are actually saving half in comparison with the top major brands.

VEVOR[®]

TOUGH TOOLS, HALF PRICE

Free Standing
Stainless Steel Sink

Model: S1,S2-1,S2-2,S3-1,S3-2



NEED HELP? CONTACT US!





Have product questions? Need technical support? Please feel free to contact us:



CustomerService@vevor.com

This is the original instruction, please read all manual instructions carefully before operating. VEVOR reserves a clear interpretation of our user manual. The appearance of the product shall be subject to the product you received. Please forgive us that we won't inform you again if there are any technology or software updates on our product.

SAFETY

	Read the instruction manual.		Caution / Warning.
	Note / Remark.		wear gloves



WARNING! Read and understand all instructions before using this Free Standing Stainless Steel Sink. The operator must follow basic precautions to reduce the risk of personal injury and/or damage to the equipment.

Keep this manual for safety warnings, precautions, operating or inspection and maintenance instructions.

Please familiarize yourself with the hazard notices found in this manual. A notice is an alert that there is a possibility of property damage, injury or death if certain instructions are not followed.

WARNING! DO NOT let comfort or familiarity with product (gained from repeated use) replace strict adherence to the tool safety rules. If you use this tool unsafely or incorrectly, you can suffer serious personal injury.



Assembly precautions

1. Assemble only according to these instructions. Improper assembly can create hazards.
2. Wear ANSI-approved heavy-duty work gloves during assembly.
3. Keep assembly area clean and well lit.
4. Keep bystanders out of the area during assembly.
5. Do not assemble when tired or when under the influence of alcohol, drugs or medication.
6. Weight capacity and other product capabilities apply to properly and completely assembled product only.
7. Assemble on a flat, level, hard and smooth surface capable of safely supporting a fully loaded Chest .



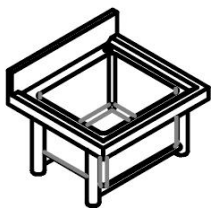
Use precautions

TO PREVENT SERIOUS INJURY AND DEATH FROM TIPPING:

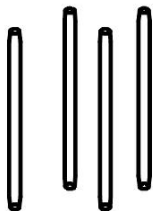
1. DO NOT SIT, STAND OR CLIMB ON THIS ITEM.
2. This product is not a toy nor a toy chest. Do not allow children to play with or near this item.
3. Inspect before every use; do not use if parts are loose or damaged.

The assembly step:

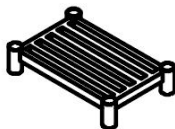
1. Open the package and arrange the parts side by side as shown in the diagram below



A 1pc



B 1pc

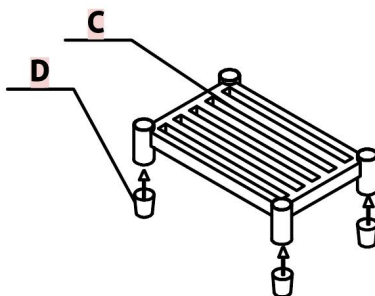


C 1pc

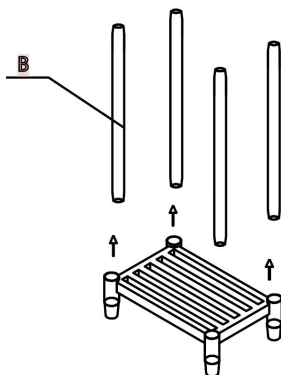


D 4pcs

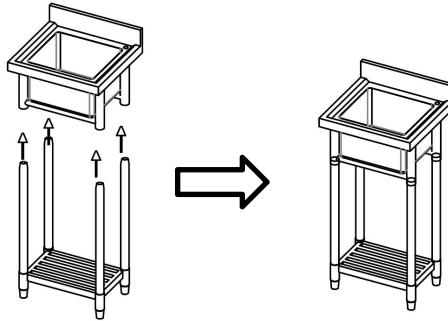
2. The four pads D of the product are loaded into the base C according to the diagram



3. The four pillars B of the product are then mounted to the other end of the assembled base C



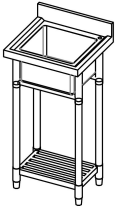




4. Place Sink A on the other end of the 4 columns.



WARNING:

- 1.Ensure the unit is installed on level, firm ground.
- 2.Ensure all parts are securely locked into position.
- 3.Keep the children away from the display area

Product specification parameters

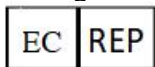
Models	S1	S2-1	S2-2	S3-1	S3-2
Size	22inch	39.4inch	39.4inch	47.2inch	47.2inch
Weight	10.7kg	14.2kg	14.2kg	16.3kg	16.3kg
Sink Way	Single sink	Left sink	Right sink	Left sink	Right sink
Size of sink	410*330*220mm	430*330*220mm	430*330*220mm	500*330*220mm	500*330*220mm
Schematic					

Disposal

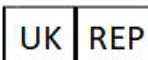
This products should be disposed of in accordance with local regulations.

If you are unsure how to proceed, contact your local authority.
Only qualified technicians are authorized to undertake the repair of A
Frame Sidewalk Sign For your safety , please observe all safety notes,
precautions, and details in this manual.

Address: Baoshanqu Shuangchenglu 803long 11hao 1602A-1609shi
Shanghai



SHUNSHUN GmbH
Römeräcker 9 Z2021, 76351
Linkenheim-Hochstetten, Germany



Pooledas Group Ltd
Unit 5, Albert Edward House,
The Pavilions, Preston

Imported to AUS: SIHAO PTY LTD, 1 ROKEVA STREETEASTWOOD
NSW 2122 Australia

Imported to USA: VEVOR STORE INC, 9448 RINCHMOND PL #E
RANCHO CUCAMONGA, California, 91730 United States of America

VEVOR[®]

TOUGH TOOLS, HALF PRICE

TechnicalSupport and E-Warranty Certificate
www.vevor.com/support