

VEVOR[®]

TOUGH TOOLS, HALF PRICE

Technical Support and E-Warranty Certificate www.vevor.com/support

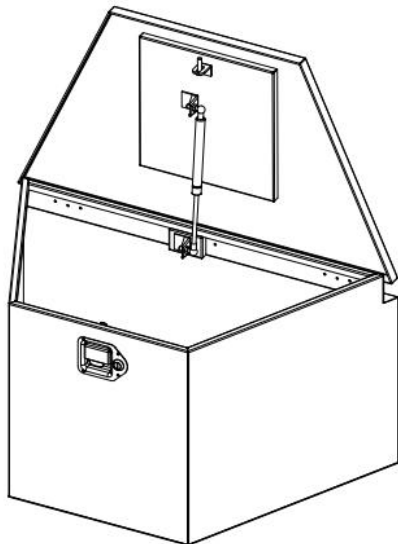
TOOLBOX USER MANUAL

We continue to be committed to provide you tools with competitive price. "Save Half", "Half Price" or any other similar expressions used by us only represents an estimate of savings you might benefit from buying certain tools with us compared to the major top brands and does not necessarily mean to cover all categories of tools offered by us. You are kindly reminded to verify carefully when you are placing an order with us if you are actually saving half in comparison with the top major brands.

VEVOR®

TOUGH TOOLS, HALF PRICE

TOOLBOX USER MANUAL



NEED HELP? CONTACT US!

Have product questions? Need technical support? Please feel free to contact us:

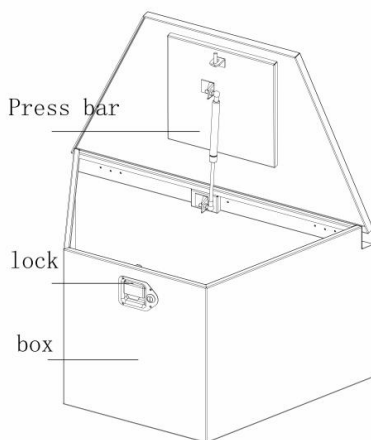
✉ CustomerService@vevor.com

This is the original instruction, please read all manual instructions carefully before operating. VEVOR reserves clear interpretation of our user manual. The appearance of the product shall be subject to the product you received. Please forgive us that we won't inform you again if there are any technology or software updates on our product.

Technical Parameter

Brand	Model	product size (mm)
VEVOR	JL-TB09-2	735*410*460
	JL-TB09-3	835*485*460
	JL-TB09-4	990*415*310

Product Structure Diagram



Use safety instructions

WARNING:

Read this material before using this product. Failure to do so can result in serious injury. **SAVE THIS MANUAL**

Assembly Precautions

1. Assemble only according to these instructions. Improper assembly can create hazards.
2. Wear heavy-duty work gloves during assembly.
3. Keep the assembly area clean and well-lit.
4. Keep bystanders out of the area during assembly.
5. Weight capacity and other product capabilities apply to properly and completely assembled product only.

Use precautions

TO PREVENT SERIOUS INJURY AND DEATH FROM TIPPING:1

. DO NOT SIT, STAND OR CLIMB ON THIS ITEM.

2. This product is not a toy or toy chest. Do not allow children to play with or near this item.
3. Do not exceed weight capacities 30kg, evenly distributed from the bottom up. Be aware of dynamic loading! The Sudden load movement may briefly create excess load causing product failure. Do not exceed capacity of a bench or shelf supporting Top Chest.
4. Empty, close, and lock the toolbox before moving.
5. Use only on a flat, level, hard and smooth surface capable of safely supporting a fully loaded Chest.
6. Do not lift while loaded.
7. To prevent tipping, push/pull using supplied handle only.
8. Use as intended only.
9. Inspect before every use; do not use if parts are loose or damaged.

Scope of Application

The main body is made of high-quality aluminum alloy. With a strong structure and beautiful appearance, the box is widely used to store warehouses and automotive tools.

Made In China

VEVOR[®]

TOUGH TOOLS, HALF PRICE

Technical Support and E-Warranty Certificate

www.vevor.com/support

Made In China