

VEVOR[®]

TOUGH TOOLS, HALF PRICE

LAWN SPREADER USER MANUAL

We continue to be committed to provide you tools with competitive price. "Save Half", "Half Price" or any other similar expressions used by us only represents an estimate of savings you might benefit from buying certain tools with us compared to the major top brands and does not necessarily mean to cover all categories of tools offered by us. You are kindly reminded to verify carefully when you are placing an order with us if you are actually saving half in comparison with the top major brands.

TC2002B



NEED HELP? CONTACT US!

Have product questions? Need technical support? Please feel free to contact us:

 [**CustomerService@vevor.com**](mailto:CustomerService@vevor.com)

This is the original instruction, please read all manual instructions carefully before operating. VEVOR reserves a clear interpretation of our user manual. The appearance of the product shall be subject to the product you received. Please forgive us that we won't inform you again if there are any technology or software updates on our product.

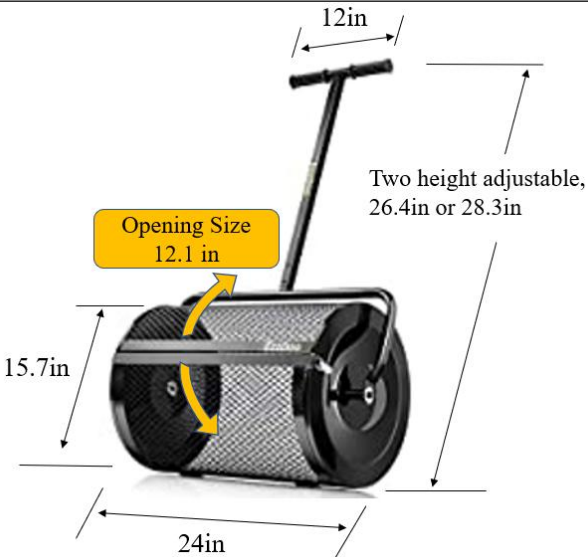
SAFETY INSTRUCTIONS

WARNING:

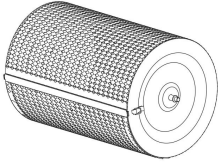
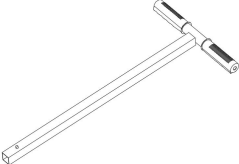
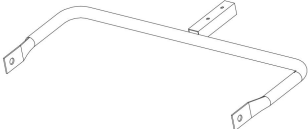


1. We recommend using eye protection, safety gloves, and non-slip shoes to operate the compost spreader.
2. The compost spreader has moving parts, so when using the compost spreader, make sure all loose clothing, hair, and jewelry are tied.
3. Keep compost spreaders away from children.
4. If any parts of the compost applicator are damaged, do not use it.
5. Do not modify the product in any way.
6. Don't stand or sit on the compost spreader.
7. The compost spreader can be heavy when the roller is full. Use proper manual technique when moving or lifting the spreader.
8. Do not fill the bucket with materials other than moss, compost, soil, or the like.

CAUTION: Carefully read instructions and procedures for safe operations.

MODEL AND PARAMETERS

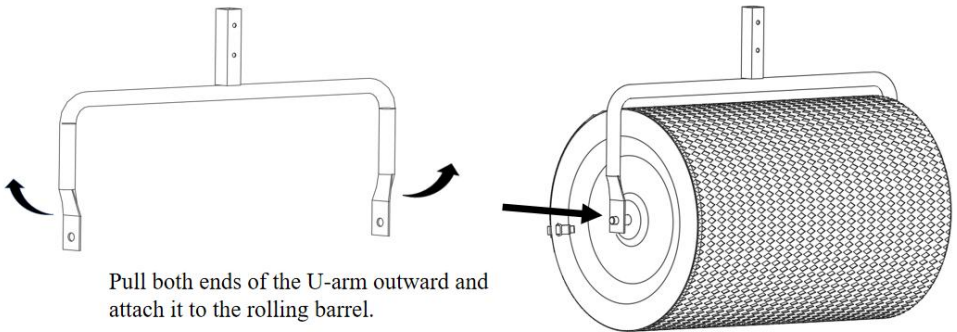
Model	TC2002B
Product Dimensions	 <p style="text-align: center;">Opening Size 12.1 in</p> <p style="text-align: right;">Two height adjustable, 26.4in or 28.3in</p>
Color	Black

COMPONENTS

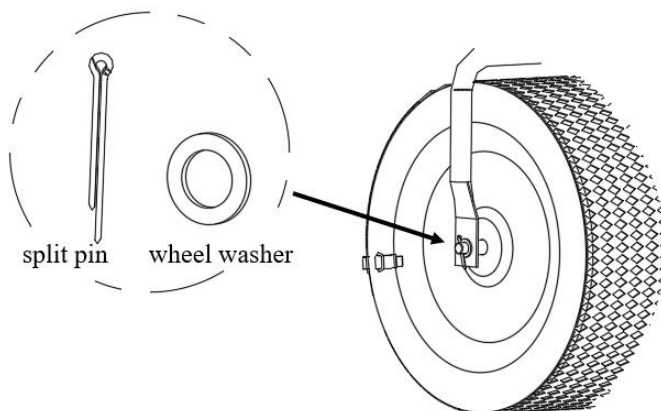
 <p>A. Rolling barrel (x1)</p>	 <p>B. T-handle (x1)</p>	 <p>C. U-arm (x1)</p>
 <p>D. Wheel washers (x2)</p>	 <p>E. Split pins (x2)</p>	

ASSEMBLY

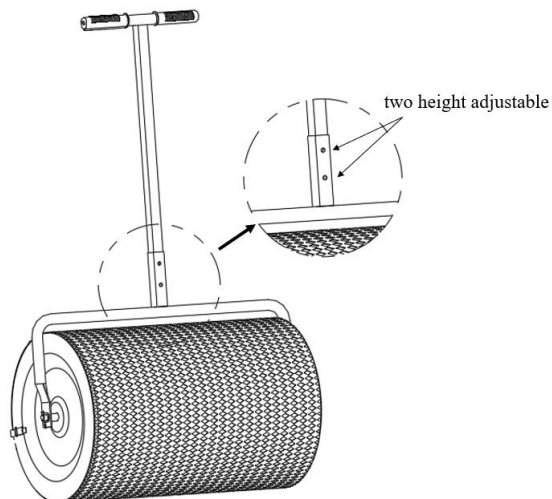
Step 1: Pull both ends of the U-arm (C) outward and attach it to the rolling barrel (A).



Step 2: Install the wheel washers (D) and split pins (E) on the rolling barrel (A) to prevent the U-arm (C) from falling off.

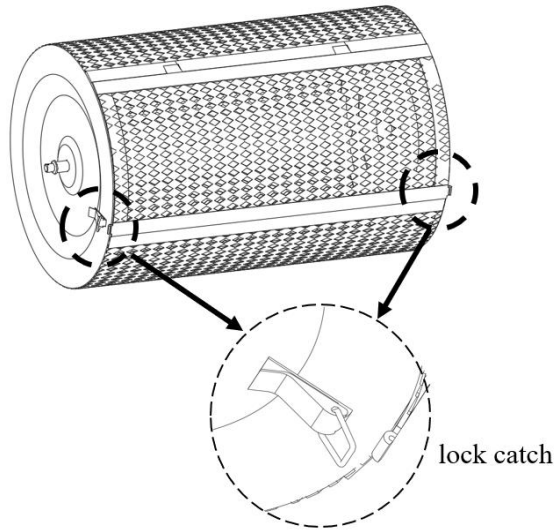


Step 3: Insert the T-handle (B) into the U-arm (C). Note that there are 2 steps to adjust the height.

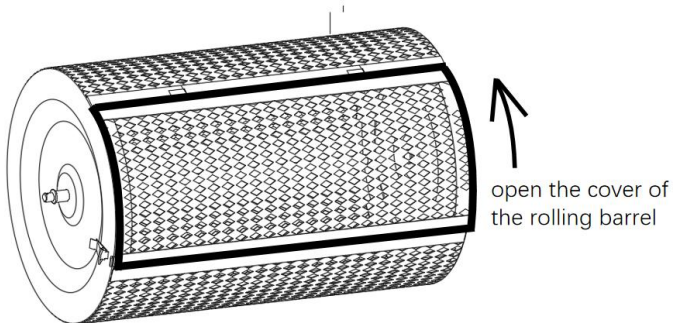


INSTRUCTIONS FOR USE

Step 1: Open the lock catches on both ends of the rolling barrel (A).



Step 2: Open the cover of the rolling barrel (A) and fill it with fertilizer, soil, or other necessary materials.



Step 3: Close the cover on the rolling barrel (A) and lock it to start using the compost spreader.

Cleaning and Maintenance

1. After use, remove unused materials from the rolling barrel.
2. Rinse the rolling barrel with water to remove residual materials.

Manufacturer: Qingdao Huatian Hand Truck Co., Ltd.
ADD: 19 Huanda Road, Huangdao District, Qingdao, China

Importer: WAITCHX
Address: 250 bis boulevard Saint-Germain 75007 Paris

Importer: FREE MOOD LTD
Address: 2 Holywell Lane, London, England, EC2A 3ET



EUREP UK LTD
UNIT 2264, 100 OCK STREET, ABINGDON
OXFORDSHIRE ENGLAND OX14 5DH



EUREP GmbH
Unterlettenweg 1a, 85051
Ingolstadt. Germany

Made In China

VEVOR[®]

E-mail: CustomerService@vevor.com