

VEVOR[®]

TOUGH TOOLS, HALF PRICE

Technical Support and E-Warranty Certificate www.vevor.com/support

POTS AND PANS ORGANIZER USER MANUAL

We continue to be committed to provide you tools with competitive price.

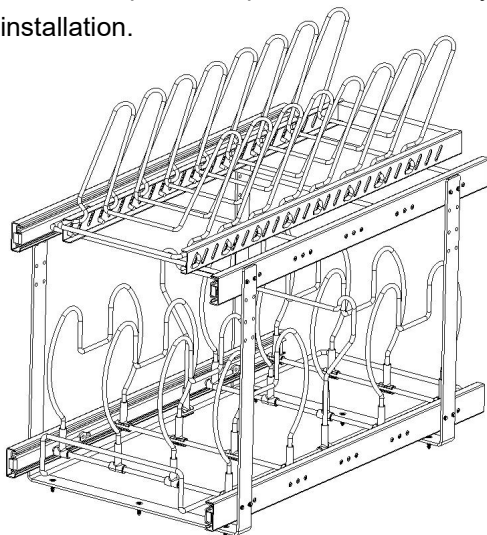
"Save Half", "Half Price" or any other similar expressions used by us only represents an estimate of savings you might benefit from buying certain tools with us compared to the major top brands and does not necessarily mean to cover all categories of tools offered by us. You are kindly reminded to verify carefully when you are placing an order with us if you are actually saving half in comparison with the top major brands.

VEVOR®

TOUGH TOOLS, HALF PRICE

Pots and Pans Organizer

Thanks for purchasing one of our products, please read carefully the assembly instructions before the installation.



Model: LX-C9285

NEED HELP? CONTACT US!

Have product questions? Need technical support? Please feel free to contact us:

✉ CustomerService@vevor.com

This is the original instruction, please read all manual instructions carefully before operating. VEVOR reserves a clear interpretation of our user manual. The appearance of the product shall be subject to the product you received. Please forgive us that we won't inform you again if there are any technology or software updates on our product.

PRODUCT PARAMETERS

| Model | Product Size (W*D*H) | Static load | Installation size(mm) (W*D*H) |
|--------------|--|-----------------------------|---------------------------------------|
| LX-C928 5 | 305x605x465mm (12"x23-4/5"x18-2/5") | 120 lb/single layer(Max) | 320x580x800mm (10-1/3"x22"x8-4/5") |

ASSEMBLY PRECAUTIONS

1. Assembly needs to follow these instructions. Incorrect assembly can be a hazard.
2. Wear safety goggles and heavy-duty work gloves during assembly.
3. Do not assemble when tired or under the influence of alcohol, drugs or medication.
4. Weight capacity and other product capabilities apply to a properly and completely assembled product only.
5. Keep the assembly area clean and well-lit.
6. Keep bystanders out of the area during assembly.
7. Select the cabinet consistent with or close to the installation size for installation

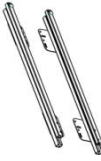
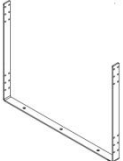

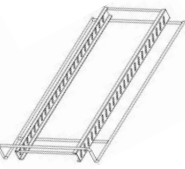

USE PRECAUTIONS







WARNING: TO PREVENT SERIOUS INJURY AND DEATH FROM TIPPING:

1. This product is not a toy. Do not allow children to play with or approach this item.
2. Use as intended only. Do not sit or stand on the product.
3. Inspect before every use. Do not use it if parts are loose or damaged.
4. Use on Kitchen cabinet only and Do not use it alone on the ground or on the desktop.
5. Do not exceed the listed weight capacity. Tighten all knobs securely before applying load. Be aware of dynamic loading! The sudden load movement may briefly create an excess load, causing product failure.

PARTS LIST

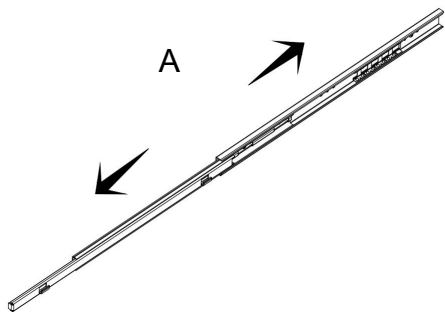
| No. | A | B | C | D | E |
|----------|---|---|---|---|--|
| Name | Rail | bracket | upper frame | Lower frame | Divider shelf |
| Parts |  |  |  |  |  |
| Quantity | 2 set | 2 PCS | 1 PCS | 1PCS | 8PCS |

| No. | F | G | H | I | |
|----------|---|---|---|---|--|
| Name | M-type divider | Middle divider | screw | M5 Screw | |
| Parts |  |  |  |  | |
| Quantity | 8 PCS | 1 PCS | 8 PCS | 18 PCS | |

ASSEMBLY STEPS

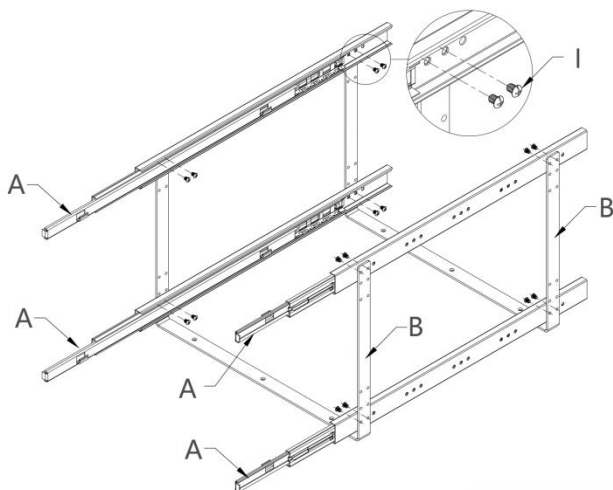
STEP1

1. Turn all rail A on



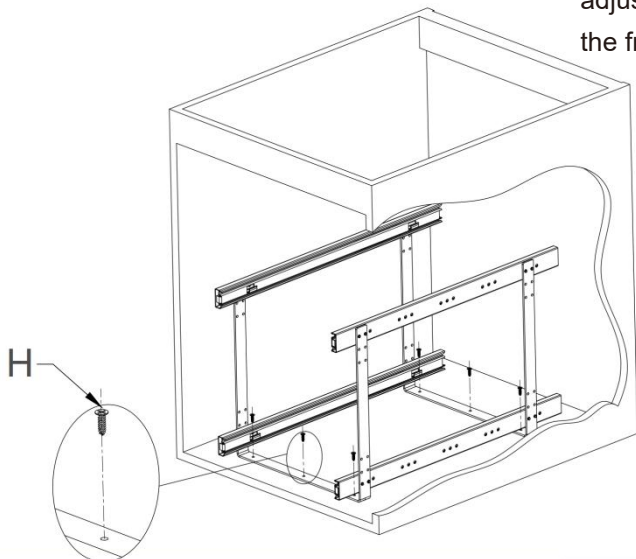
STEP2

2. Fix the frame(A) onto the base with the M6screws(B)
And fix the base on to the inner-slide(C) with M4*6 screw(D).



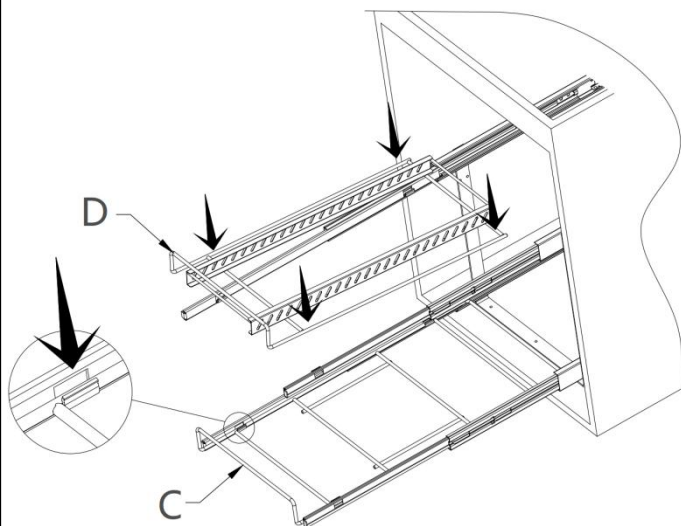
STEP3

3. Put the whole product into the cabinet, pay attention to adjust the left and right and the front and rear positions

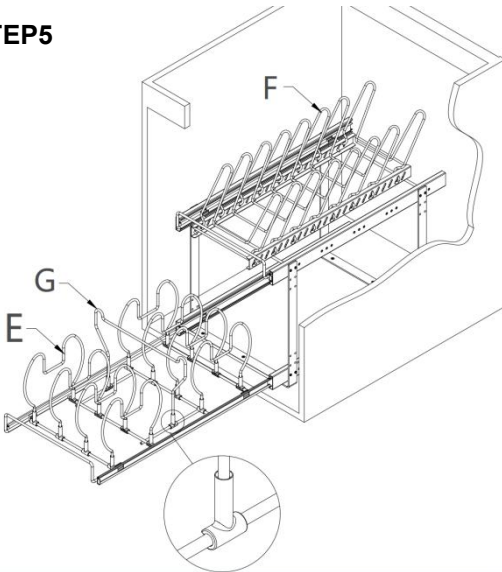


STEP4

4. Install C and D to the hooks of rail A as shown

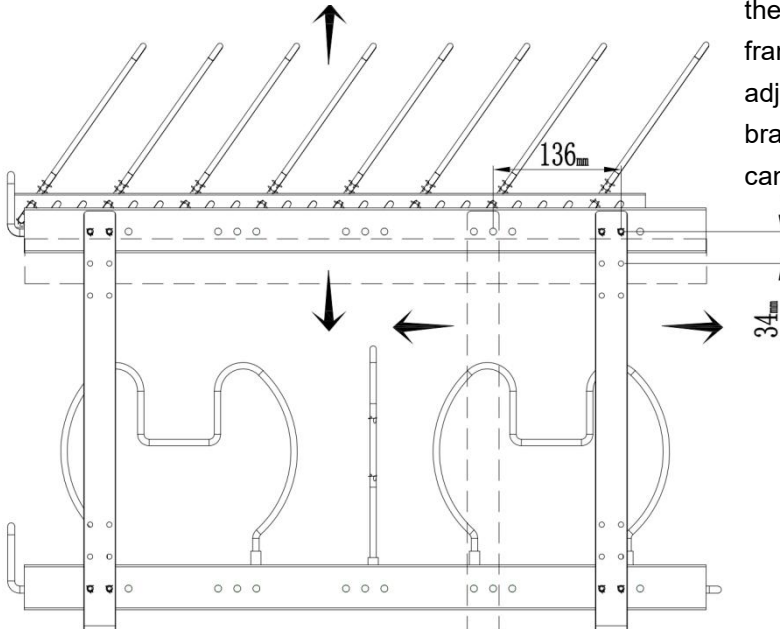


STEP5



5. Insert the inner-slide back to the slide and finish the installation.

COMPLETION



5. As shown in the figure, the height of the upper and lower frames can be adjusted, and the bracket distance can be adjusted.

Cleaning

-For cleaning, wipe the surface with a damp (not wet) cloth or wipe dry with a clean lint free cotton cloth.

-Window cleaning liquid or a similar cleaning liquid can be used to clean the surface.

VEVOR®

TOUGH TOOLS, HALF PRICE

Support and E-Warranty Certificate

www.vevor.com/support