

VEVOR[®]

TOUGH TOOLS, HALF PRICE

Technical Support and E-Warranty Certificate

www.vevor.com/support

INSTRUCTION FOR PRIVACY TENT

MODEL:KP282BL

We continue to be committed to offering tools at competitive prices. "Save Half", "Half Price", or any other similar expressions used by us only represent an estimate of savings you might benefit from buying certain tools with us compared to the major top brands and do not necessarily mean to cover all categories of tools offered by us. You are kindly reminded to verify carefully when placing an order with us if you are saving half in comparison with the top major brands.

VEVOR®

TOUGH TOOLS, HALF PRICE

PRIVACY TENT
KP282BL



NEED HELP? CONTACT US!

Have product questions? Need technical support? Please feel free to contact us:

✉ CustomerService@vevor.com

This is the original instruction, please read all manual instructions carefully before operating. VEVOR reserves a clear interpretation of our user manual. The appearance of the product shall be subject to the product you received. Please forgive us that we won't inform you again if there are any technology or software updates on our product.

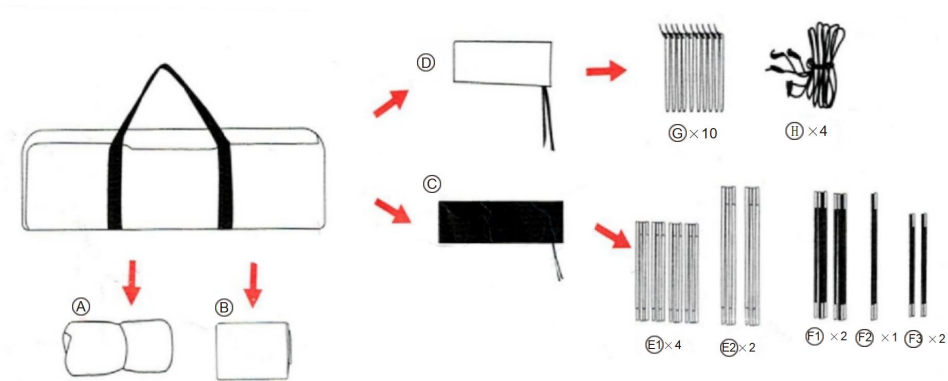
1. NOTICE Please retain instructions for future needs.

- 1.Keep clear of overhead power lines.
- 2.Do not set up your tent under trees because of potential lightning strikes or falling tree limbs in inclement weather.
- 3.For best results in windy conditions, position the narrow end of the tent into the wind.
- 4.Do not drop the tent.
- 5.Do not bounce the tent bag on its end to remove the tent, as these actions may damage the frame.
- 6.This recreational product requires a minimum of two people to assemble it.
- 7.Under no circumstances should this product be used to cover automobiles, marine products or similar items.
- 8.CAUTION: Avoid pinch points when opening and closing the tent frame.

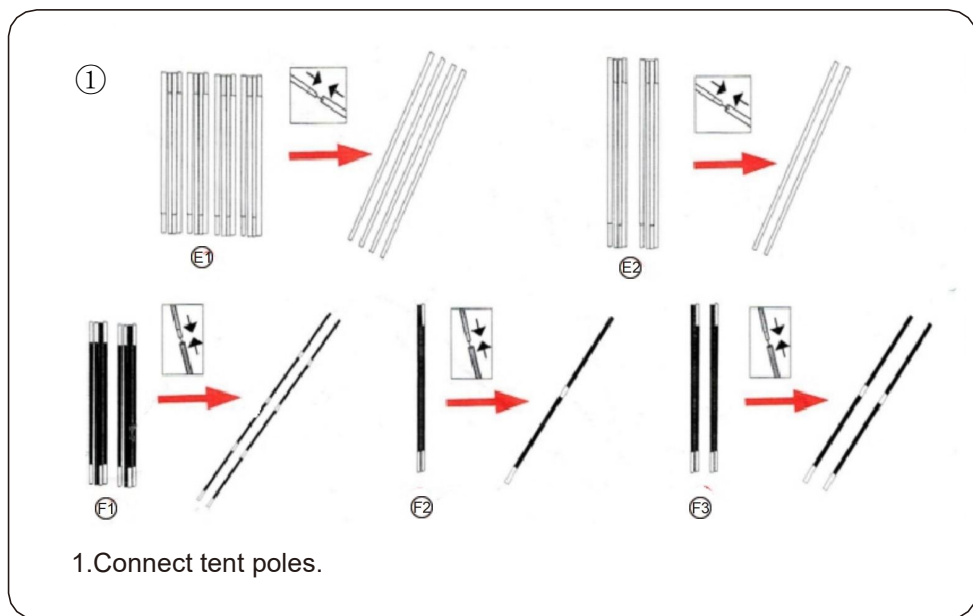
2. SPECIFICATIONS

Model	KP282BL
Product Size	83x42x83in
Net Weight	7.3Kg
Gross Weight	7.9Kg
Color	Brown

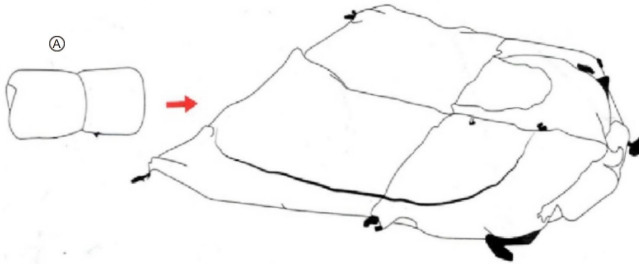
3. COMPONENTS



4. Installation Steps

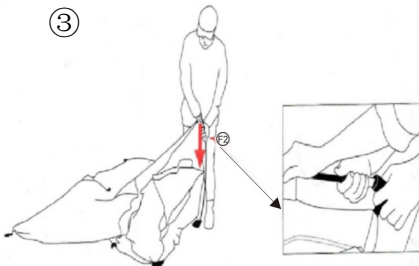


②

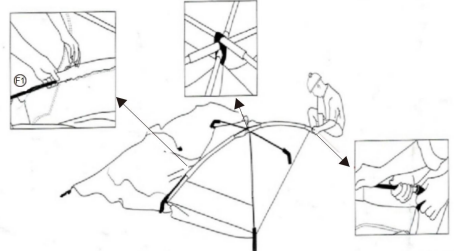


2. Unpack the tent and all of its parts. Unfold the tent and lay it in the respective area.

③

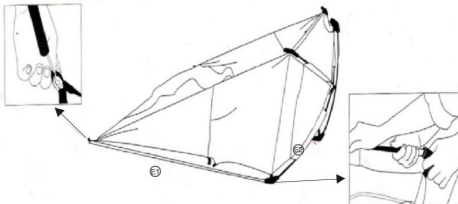


④

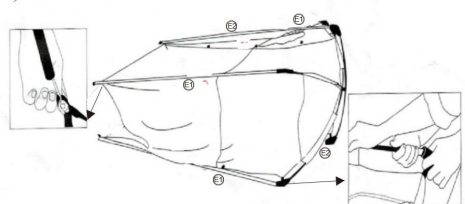


3. Thread two poles through the holes in the tarp at the top of the tent and insert each end into the holes in the plastic connectors at the corners. Make sure the two poles are in an "x" shape.

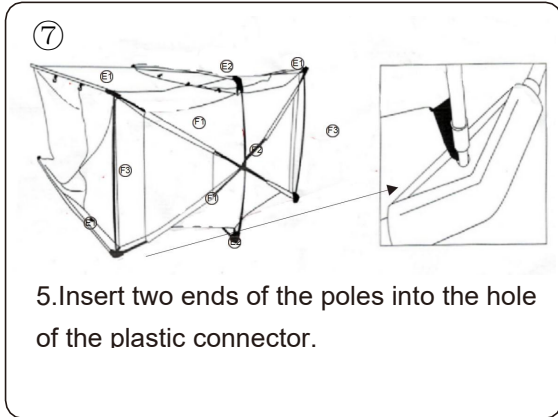
⑤



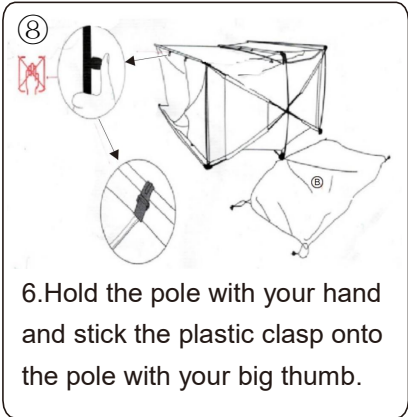
⑥



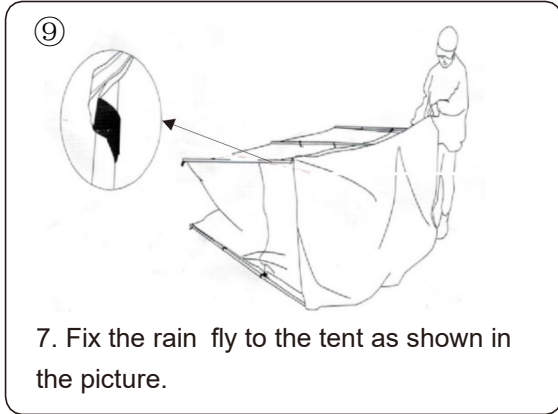
4. Insert one end of the poles into the plastic connector at the top of the tent and one end into the plug at the corner of the tent.



5. Insert two ends of the poles into the hole of the plastic connector.



6. Hold the pole with your hand and stick the plastic clasp onto the pole with your big thumb.



7. Fix the rain fly to the tent as shown in the picture.



8. Put the tent up. Finally, secure the tent with hooks and ropes.

VEVOR STORE INC
 9448 RINCHMOND PL #E RANCHO CUCAMONGA, California, 91730 United States of America
 MADE IN CHINA

VEVOR[®]

TOUGH TOOLS, HALF PRICE

Technical Support and E-Warranty Certificate

www.vevor.com/support