

VEVOR[®]

**Cleaning Cart
Installation Instructions**

VEVOR[®]

Cleaning Cart



D-011A-1 D-011A-2



D-011B-1

Note:the quantity of parts shown in the manual is the actual usage and the unused parts are spare parts.

NEED HELP? CONTACT US!

Have product questions? Need technical support?
Please feel free to contact us:



CustomerService@vevor.com

This is the original instruction, please read all manual instructions carefully before operating. VEVOR reserves clear interpretation of our user manual. The appearance of the product shall be subject to the product you received. Please forgive us that we won't inform you again if there is any technology or software updates on our product.

ASSEMBLY PRECAUTIONS

1. Assemble only according to these instructions. Incorrect assembly can be a hazard.
2. Wear safety goggles and heavy-duty work gloves during assembly.
3. Do not assemble when tired or when under the influence of alcohol, drugs or medication.
4. Weight capacity and other product capabilities apply to a properly and completely assembled product only.

USE PRECAUTIONS

1. This product is not a toy. Do not allow children to play with or approach this item.
2. Use as intended only. Do not sit or stand on table.
3. Inspect before ever use. Do not use if parts are loose or damaged.
4. Use only on flat, level, hard surface.
5. Do not exceed listed weight capacity. Tighten all knobs securely before applying load. Be aware of dynamic loading! Sudden load movement may briefly create excess load causing product failure.

ASSEMBLY INSTRUCTIONS

For additional information regarding the parts listed in the following pages, refer to the Assembly Diagram of this manual. Unwrap and separate all parts on a clear work area.

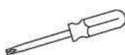
PACKAGE CONTENTS



Gloves x1



Spanner x2



Cross Screwdriver x1



M6x16 Phillips Screw x6



M6x35 Phillips Screw x3



M6x48 Phillips Screw x2



M8 Locknut x2



φ8 Gasket x2



Wheel Gasket x2



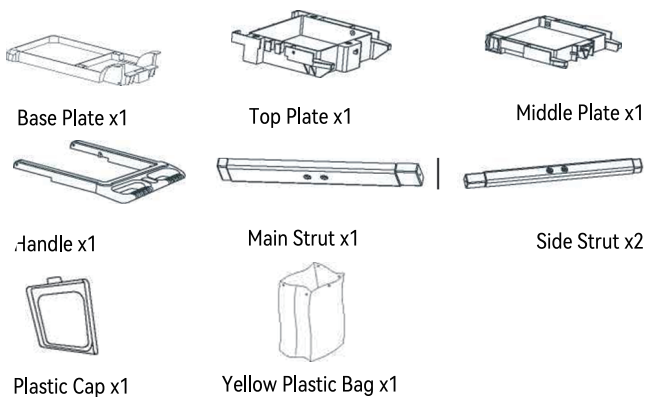
Mecanum Wheels x2



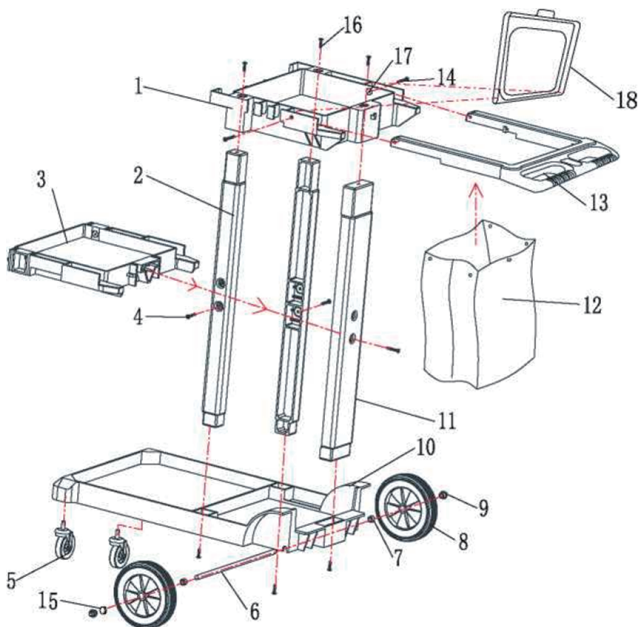
Wheel x2



Axle x1

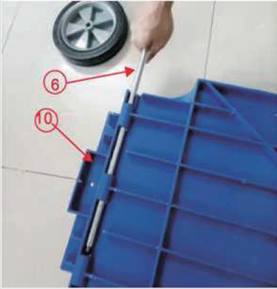


ASSEMBLY STEPS



- 1-Top Plate x1
- 2- Side Strut x2
- 3- Middle Plate x1
- 4- M6x35 Phillips Screw x3
- 5- Mecanum Wheels x2
- 6- Axle x1
- 7- Wheel Gasket x2
- 8- Wheel x2
- 9- M8 Locknut x2

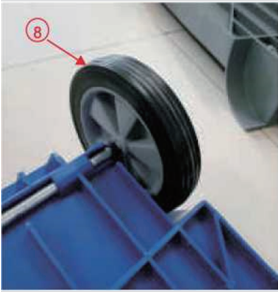
- 10-Base Plate x1
- 11-Main Strut x1
- 12-Yellow Plastic Bag x1
- 13-Handle x1
- 14-M6x48 Phillips Screw x2
- 15-08 Gasket x2
- 16-M6x16 Phillips Screw x6
- 17-M6 Fixing Nut x2
- 18-Plastic Cap x1



6-Axle x1 10-Base Platex1



7-Wheel Gasket x2



8-Wheel x2



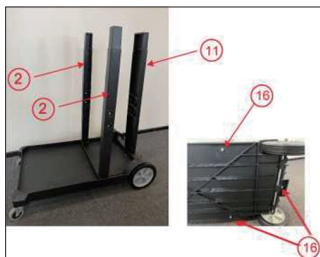
9-M8Locknut x2
1548 Gasket x2



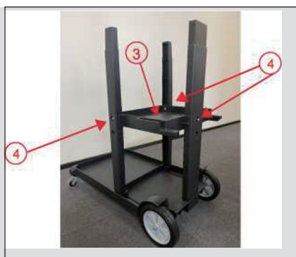
Spanner



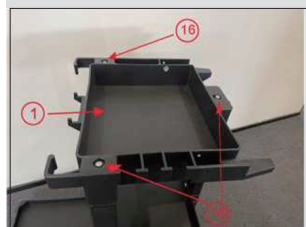
5-Mecanum Wheels x2



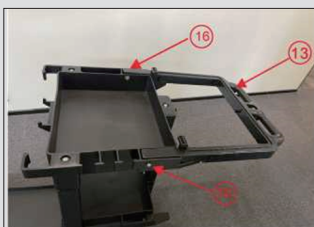
2-Side Strut x2
 11-Main Strut x1
 16-M6x16 Phillips Screw x3
 Cross Screwdriver
 3-Middle Plate x1



4-M6x35 Phillips Screw x3
 Cross Screwdriver



1-Top Plate x1
 16-M6x16 Phillips Screw x3
 Cross Screwdriver
 13- Handle x1



14- M6x48 Phillips Screw x2
 Cross Screwdriver



12-Yellow Plastic Bag x1



18- Plastic Cap x1



18- Plastic Cap x1

Manufacture:Guangzhou Hao Tian Cleaning Equipment Technology Co.,Ltd.
Add:NO.88,Xiongguo Xi Road,jianggao Town,Baiyun District,Guangzhou

EU Importer: WAITCHX

Address: 250 bis boulevard Saint-Germain 75007 Paris

UK Importer: FREE MOOD LTD

Address: 2 Holywell Lane, London, England, EC2A 3ET

Made in China

VEVOR[®]

E-mail: CustomerService@vevor.com