

VEVOR[®]

TOUGH TOOLS, HALF PRICE

Technical Support and E-Warranty Certificate www.vevor.com/support

TELEVISION STAND USER MANUAL

MODEL:TC70

We continue to be committed to provide you tools with competitive price.

"Save Half", "Half Price" or any other similar expressions used by us only represents an estimate of savings you might benefit from buying certain tools with us compared to the major top brands and does not necessarily mean to cover all categories of tools offered by us. You are kindly reminded to verify carefully when you are placing an order with us if you are actually saving half in comparison with the top major brands.

VEVOR®

TOUGH TOOLS, HALF PRICE

TELEVISION STAND

MODEL:TC70





NEED HELP? CONTACT US!

Have product questions? Need technical support? Please feel free to contact us:

 CustomerService@vevor.com

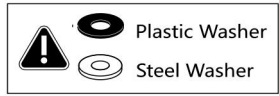
This is the original instruction, please read all manual instructions carefully before operating. VEVOR reserves a clear interpretation of our user manual. The appearance of the product shall be subject to the product you received. Please forgive us that we won't inform you again if there are any technology or software updates on our product.

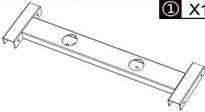








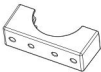
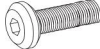

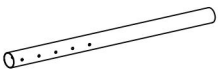






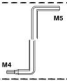
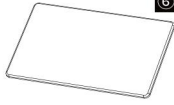


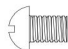


	<p>Warning-To reduce the risk of injury, user must read instructions manual carefully.</p>
	<p>Do not exceed rated listed weight.Serious injury or property damage may occur!</p>

SAVE THIS MANUAL

Model	TC70
Bearing	Total :154lbs Max TV Bracket: 132lbs MAX Tray: 22lbs MAX
Mounting Dimension	100x100,100x200,100x400 200x200,200x300,200x400 300x300,300x400 400x400 600x400
Screen Size	70" Max
Product Size	695*595*1696 mm
Net Weight	13.60 kg
Gross Weight	14.75 kg

PARTS LIST



 ① X1	 ⑦ X4	 M8X55 A X4	 M6 J X4
 ② X2	 ⑥ X4	 M8 B X4	 M5x55 K X8
 ③ X2	 ⑨ X4	 M8X25 C X2	 M5x30 L X2
 ④ X2	 ⑩ X1	 M8*22*2 D X2	 M X1 13+14
 ⑤ X2	 ⑪ X4	 M6x30 E X2	 M X1
 ⑥ X2		 M6x12 F X12	 M X4
		 M5X10 G X8	
		 M6X60 H X4	
		 M6X16*1.5 I X4	

FOR TV INSTALLATION



M4*30
TV1 X4



M6*16
TV2 X4



M6*35
TV3 X4



M8x16
TV4 X4



M8x35
TV5 X4



M8x50
TV6 X4



SP1
TV7 X8



SP2
TV8 X4



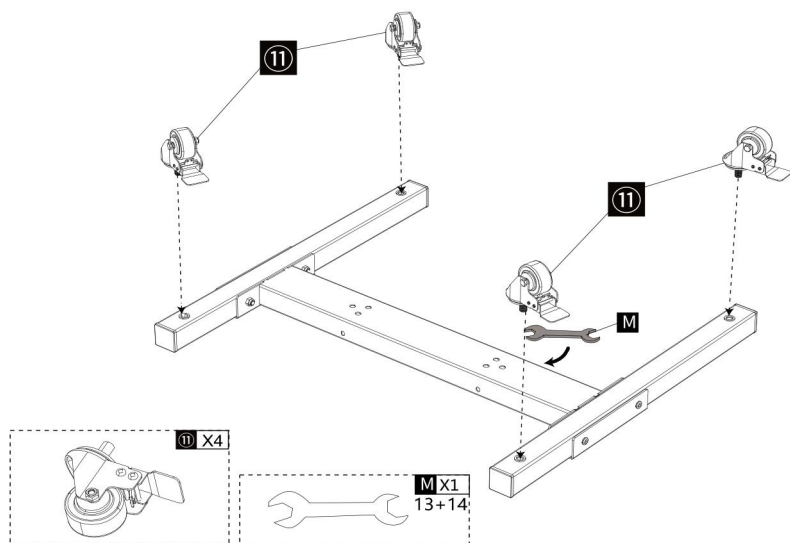
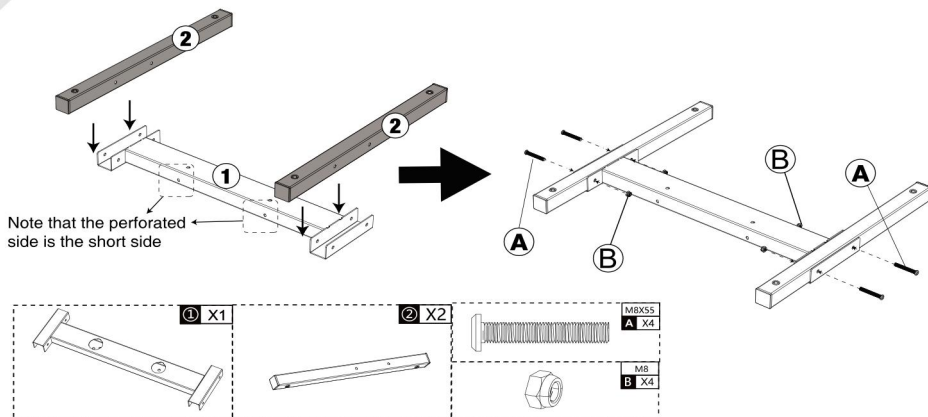
SP3
TV9 X4



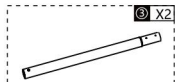
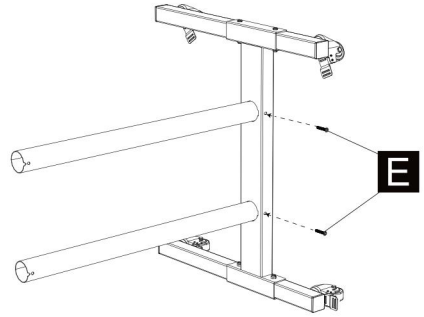
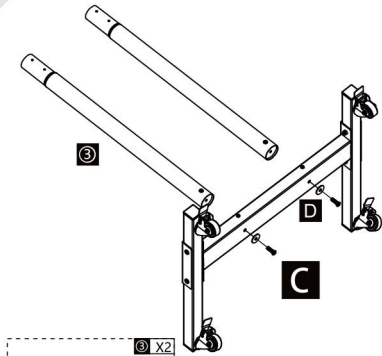
Spacer with 3 holes
TV10 X4

ASSEMBLY STEPS

1



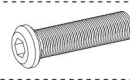
2



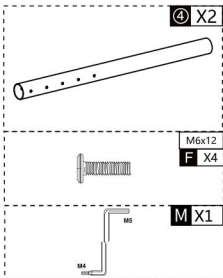
M8x25
C X2



M8*22*2
D X2



M6x30
E X2

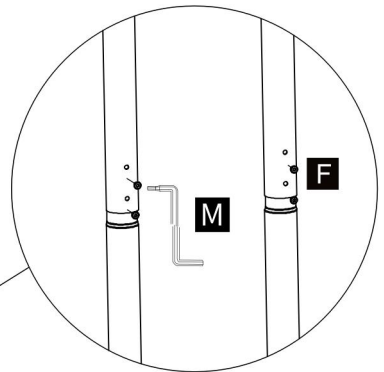
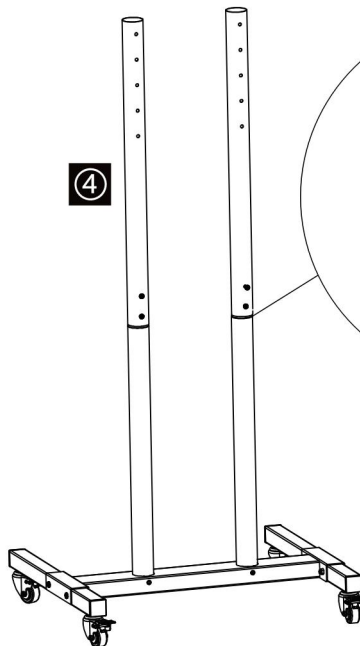


4 X2

M6x12
F X4

M X1

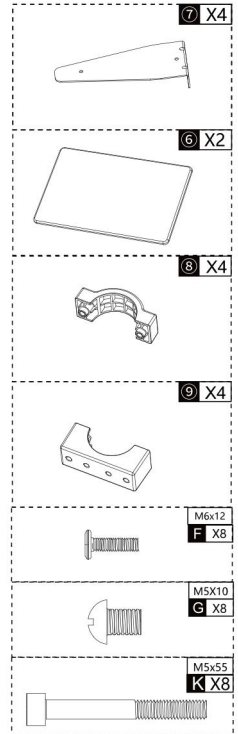
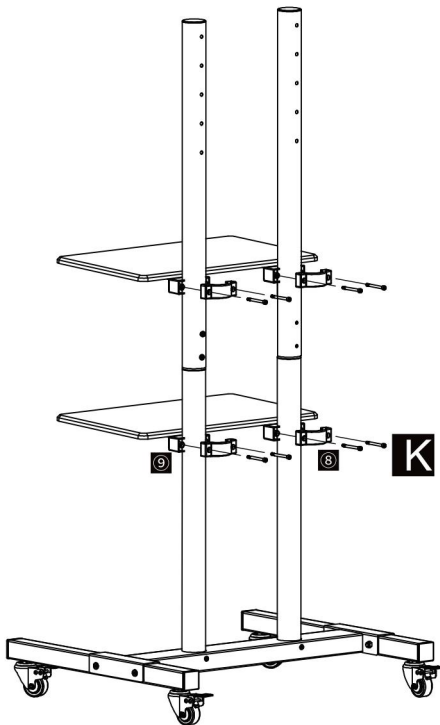
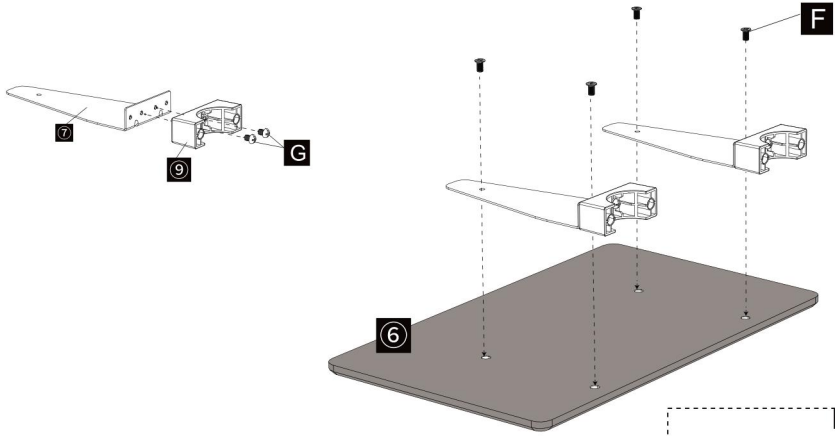
4



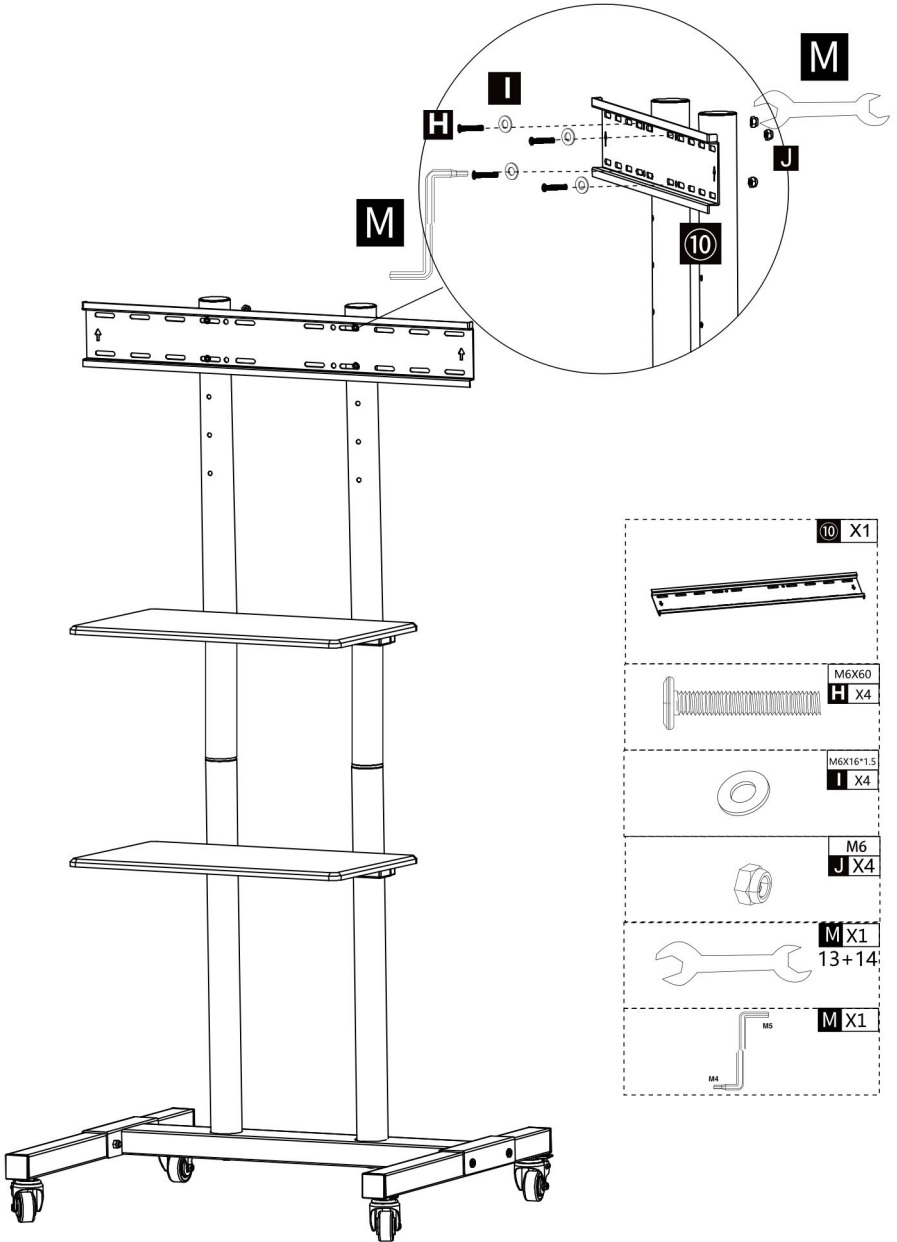
F

M

3



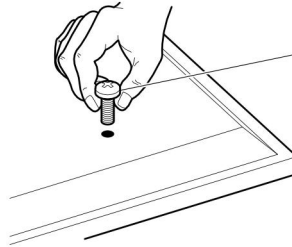
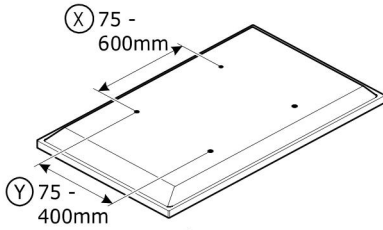
4



- 10** X1
- M6X60**
H X4
- M6X16*1.5**
I X4
- M6**
J X4
- M** X1
13+14
- M** X1

5

Measure the TV fixing holes Width and Height



TV1-TV2

TV3-TV4

TV5-TV6



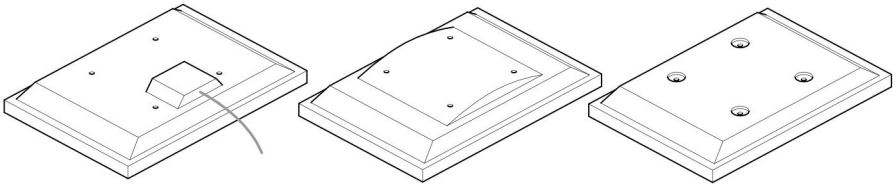
If width \textcircled{X} is greater than 600mm or height \textcircled{Y} greater than 400mm STOP installation now and contact the customer help line

You are provided with 4 diameters of TV fixing screws, **M6** and **M8**. Determine the screw diameter that fits.

Spacers

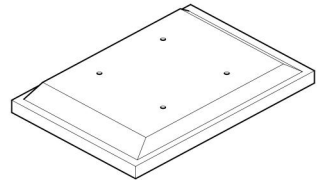
SP

For TVs with irregular/obstructed back



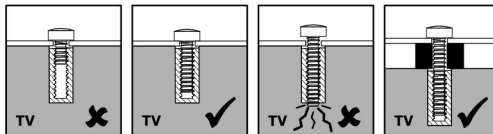
No Spacers

For TVs with flat/unobstructed back



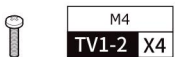
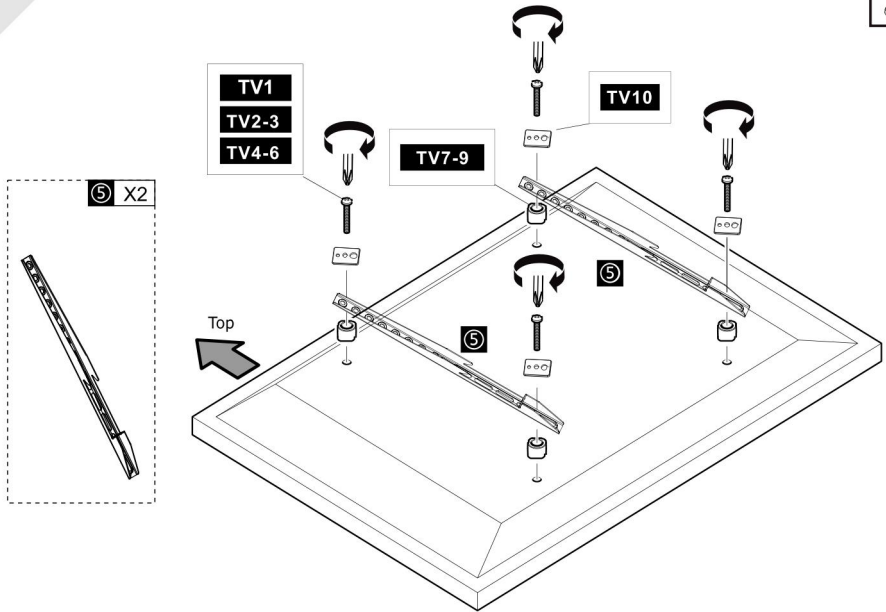
WARNING

please keep for future reference.



6

NOT INCLUDED



+



+



+



+



+



+



+



+



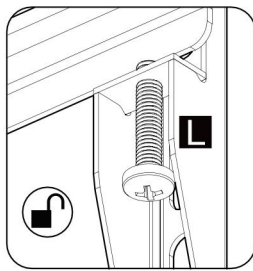
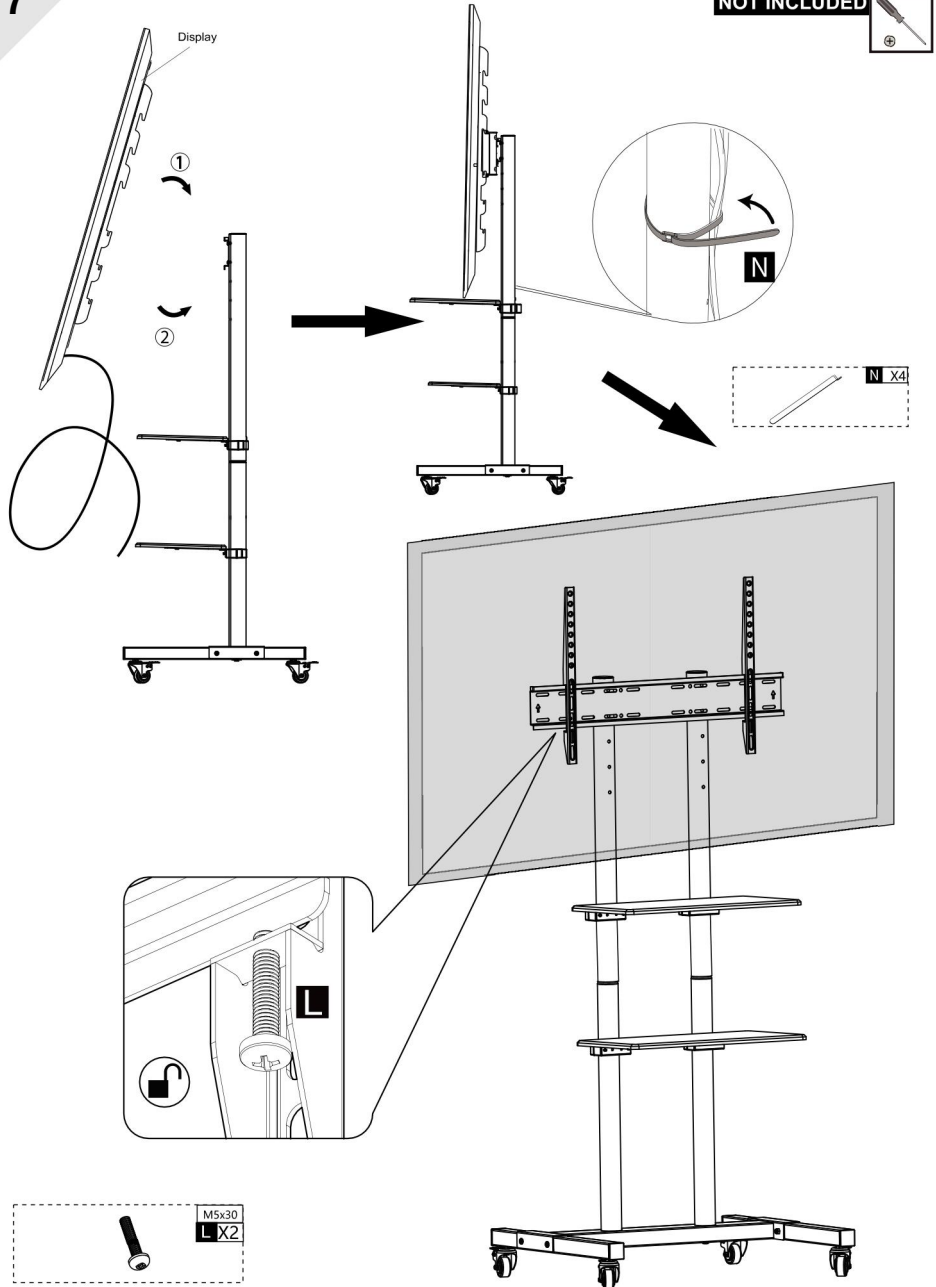
+



Attach the bracket to the back of your TV using suitable screw, reducer and spacer combinations.

7

NOT INCLUDED



Address: Baoshanqu Shuangchenglu 803long 11hao 1602A-1609shi
Shanghai

Imported to USA: VEVOR STORE INC, 9448 RINCHMOND PL #E
RANCHO CUCAMONGA, California, 91730 United States of America

Made In China

VEVOR[®]

TOUGH TOOLS, HALF PRICE

Technical Support and E-Warranty Certificate

www.vevor.com/support