

VEVOR[®]

**DEMOLITION JACK HAMMER
USER MANUAL**



NEED HELP? CONTACT US!

Have product questions? Need technical support? Please feel free to contact us:

CustomerService@vevor.com

This is the original instruction, please read all manual instructions carefully before operating. VEVOR reserves clear interpretation of our user manual. The appearance of the product shall be subject to the product you received. Please forgive us that we won't inform you again if there is any technology or software updates on our product.



DESCRIPTION OF THE SYMBOLS

The symbols used in this manual are intended to alert you of the possible risks. Please fully read the safety signs and instructions below. The warning themselves do not prevent the risks and can not be a substitute for proper methods of avoiding accidents.



This symbol, placed before a safety comment, indicates a kind of precaution, warning, or danger. Ignoring this warning may lead to an accident. To reduce the risk of injury, fire, or electrocution, please always follow the recommendations shown below.



WARNING - To reduce the risk of injury, users must read the instruction manual carefully.

Please refer to the appropriate section in this user manual before any operation.



WARNING: Be sure to wear eye protectors, dust masks and gloves when using this product.



This product is subject to the provision of European Directive 2012/19/EC. The symbol showing a crossed-out wheeled bin indicates that the product requires separate refuse collection in the European Union. This symbol applies to the product and all accessories marked with this symbol. Products marked as such may not be discarded with normal domestic waste, but must be taken to a collection point for recycling electrical and electronic devices.



This device complies with Part 15 of the FCC Rules. Operation is subject to the following two conditions: (1) This device may not cause harmful interference, and (2) this device must accept any interference received, including interference that may cause undesired operation.

GENERAL POWER TOOL SAFETY WARNINGS



WARNING Read all safety warnings and all instructions. Failure to follow the warnings and instructions may result in electric shock, fire and/or serious injury.

Save all warnings and instructions for future reference.

The term "power tool" in the warnings refers to your mains-operated (corded) power tool or battery-operated (cordless) power tool.

1) Work area safety

- a) **Keep work area clean and well lit.** Cluttered or dark areas invite accidents.
- b) **Do not operate power tools in explosive atmospheres, such as in the presence of flammable liquids, gases or dust.** Power tools create sparks which may ignite the dust or fumes.
- c) **Keep children and bystanders away while operating a power tool.** Distractions can cause you to lose control.

2) Electrical safety

- a) **Power tool plugs must match the outlet. Never modify the plug in any way. Do not use any adapter plugs with earthed (grounded) power tools.** Unmodified plugs and matching outlets will reduce risk of electric shock.
- b) **Avoid body contact with earthed or grounded surfaces, such as pipes, radiators, ranges and refrigerators.** There is an increased risk of electric shock if your body is earthed or grounded.
- c) **Do not expose power tools to rain or wet conditions.** Water leaked into power tools will increase the risk of electric shock.
- d) **Do not abuse the cord. Never use the cord for carrying, pulling or unplugging the power tools. Keep cord away from heat, oil, sharp edges or moving parts.** Damaged or entangled cords increase the risk of electric shock.
- e) **When operating a power tool outdoors, please use an extension cord which is suitable for outdoor use.** Use of a cord suitable for outdoor use reduces the risk of electric shock.
- f) **If operating a power tool in a damp location is unavoidable, use a residual current device (RCD) to protect the power supply.** Use of an RCD reduces the risk of electric shock.

3) Personal safety

- a) **Stay alert and observe what you are doing when operating power tools. Do not use power tools while you are tired or under the influence of drugs, alcohol or medication.** A temporary carelessness in the operation of power tools can lead to serious personal injury.
- b) **Use personal protective equipment. Be sure to wear eye protection devices.** Protective equipment such as dust masks, non-skid safety shoes, helmets, or hearing protection used for appropriate conditions will reduce personal injuries.
- c) **Prevent unintentional starting of the machine. Make sure the switch is in the off-position before connecting to power source and/or battery pack, picking up or carrying the tool.** Carrying power tools with your finger on the switch or charging while the tool is on can lead to accidents.

- d) **Remove any adjusting key or wrench before turning the power tool on.** A wrench or a key left attached to a rotating part of the power tool may result in personal injury.
- e) **Keep proper standing poses and balance at all times.** This enables better control of the power tool in unexpected situations.
- f) **Dress properly. Do not wear loose clothing or jewellery. Keep your hair, clothing and gloves away from moving parts.** Loose clothes, jewellery or long hair can be caught in moving parts.
- g) **If devices are provided for the connection of dust extraction and collection facilities, ensure these are connected and properly used.** Use of dust collection can reduce dust-related hazards.

4) Power tool use and care

- a) **Do not force the power tool. Use the correct power tool for your application.** The adaptable power tools will work better and more safely at the designed speed.
- b) **Do not use the power tool if they cannot be turned on and off.** Any power tool that cannot be controlled with the switch is dangerous and must be repaired.
- c) **Disconnect the plug from the power source and/or the battery pack from the power tool before making any adjustments, changing accessories, or storing power tools.** Such preventive safety measures reduce the risk of starting the power tool accidentally.
- d) **Store idle power tools out of the reach of children and do not allow persons unfamiliar with the power tool or these instructions to operate the power tool.** It is dangerous for untrained users to use these tools.
- e) **Maintain power tools. Check for misalignment or binding of moving parts. Breakage and any other condition of the parts may affect the power tool's operation. If it is damaged, please repair the power tool before use.** Many accidents are caused by poor maintenance of power tools.
- f) **Keep cutting tools sharp and clean.** Properly maintained cutting tools with sharp cutting edges are less likely to bind and are easier to control.
- g) **Use the power tool, accessories, tool bits and so on in accordance with the instructions, taking into account the working conditions and the work to be performed.** Use of the power tool for operations different from those intended could result in a hazardous situation.

5) Service

- a) **Ask qualified maintenance personnel to use the same parts to repair and replace power tools.** This will ensure that the safety of the power tool is well maintained.
- b) **Caution!**

If the power cord needs to be replaced, it must be replaced by the manufacturer or its agent to avoid safety risks.

HAMMER SAFETY WARNINGS


Wear ear protectors. Exposure to the noise can cause hearing loss.

Use the auxiliary handle(s), if supplied with the tool. Loss of control can cause personal injury.

Please hold power tools by its insulated gripping surface, when performing an operation where the cutting accessory may contact hidden wiring or its own cord. Cutting accessory

contacting a live wire may make exposed metal parts of the power tool live and could give the operator an electric shock.

Wear a dust mask.

	<p>WARNING Some dust from power sanding, sawing, grinding, drilling, and other construction activities contains chemicals that are known to cause cancer, birth defects or other reproductive harm.</p>
---	--

Some examples of these chemicals are:

- lead from lead-containing paints,
- crystalline silica from bricks, cement, and other masonry products, and
- arsenic and chromium from chemically-treated lumber.

Your risk from these exposures varies, depending on how often you do this type of work. To reduce your exposure to these chemicals: work in a well-ventilated areas, and work with approved safety equipment, such as dust masks that are specially designed to filter out microscopic particles.

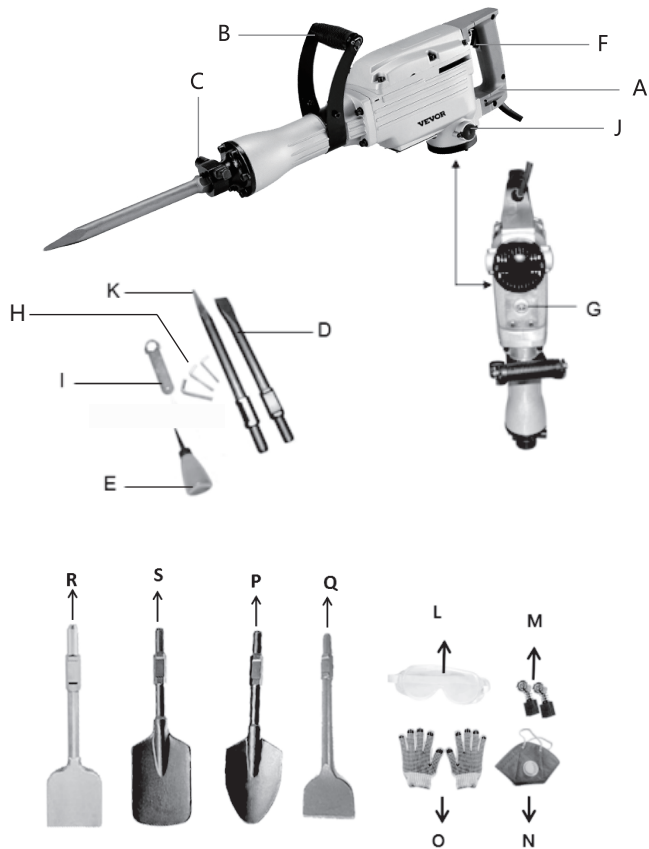
INTENDED USE

This tool is only intended for heavy-duty chiselling works in concrete, brick, and stone without limit of the dimensions of the piece to work.

TECHNICAL SPECIFICATION

Model	JH-65A
Voltage	220-240V~50Hz(EUR/AUS); 120V~60Hz(USA)
Input power	2200W
Rated power	1500W
Idling speed	1350BPM
Oil	Hydraulic oil type ISOVG46
Sound power level(LwA)	102dB(A)

LIST OF MAIN PART



Note: The above accessories are only for demonstration, please use the parts according to the actual object you received!

A. Non-slip handle	B. Auxiliary handle
C. Chisel lock	D. Flat bit
E. Oil bottle (empty)	F. On/Off switch
G. Viewable oil filling port	H. Hexagon wrench
I. Wrench	J. Carbon brush cover
K. Point bit	L. Goggles
M. Carbon brush	N. Face mask
O. Gloves	P. Clay spade
Q. Scraping bit (100mm wide)	R. Scraping bit
S. Shovel bit	
Accessories(2-piece set)	D+E+H+I+K+L+M+N+O
Accessories(4-piece set)	D+E+H+I+K+L+M+N+O+P+Q
Accessories(6-piece set)	D+E+H+I+K+L+M+N+O+P+Q+R+S

OPERATION

Before use

Disconnect the power supply before assembling, replacing, and adjusting any accessories to avoid accidental startup.

Please be sure to check the power supply voltage before use.

Remove all packing material and loose parts from units.

Check the accessories before use. It should be fit with the machine and your purpose.

Auxiliary Handle

CAUTION!

The machine should be used only with both handles.

Do not continue to use an auxiliary handle if it is damaged.

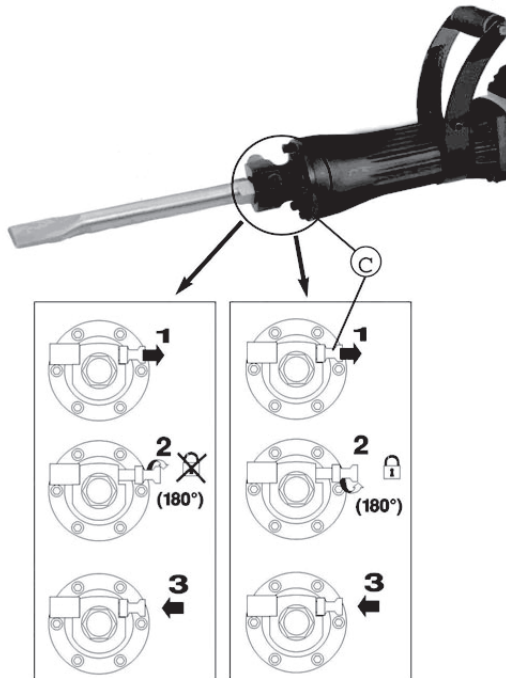
Inserting and removing chisel



WARNING

Accessories can be hot after use. Don't touch the tip of accessory by hand!

Please always use protective gloves to remove the accessory.



The chisel is locked by the chisel lock(C). To insert and remove the chisel, please follow the steps below:

To assemble:

1. Pull out the chisel lock(C), and then rotate it clockwise 1800.
2. Insert new chisel into the chuck.
3. Turn the chisel lock counterclockwise and then release it, the pin will automatically lock the chisel.

To remove:

1. Pull out the chisel lock(C), and then rotate it clockwise 1800.
2. Remove the old chisel by pulling it out directly.

On/Off switch

Use the On/Off switch to start the machine and keep holding it for continuous operation.

To switch the machine off, release the On/Off switch



WARNING

Don't apply too much pressure to the machine.

The chiseling mechanism is activated by applying a slight pressure on the tool when the drill bit is in contact with the workpiece.

The best cutting effect can be achieved by applying slight pressure to the tool that maintains the automatic clutch engagement.

Replacing of carbon brushes

The carbon brushes are expendable. It is keeping abrasion during use.

The carbon brushes should be changed regularly. In order not to damage the electrical circuit, both carbon brushes should be changed at the same time.

CAUTION!

Exchanging the carbon brushes should be done by authorized service only.

The machine should be used only with both brushes!

APPLICATION ADVICE

Be sure to use the auxiliary handle provided with this tool. Well controlled machine may increase the working precision greatly.

MAINTENANCE

Unplug the appliance before maintenance.

Keep the ventilation openings clear and clean the product regularly.

If an exception occurs during use, please turn off the power and disconnect the plug.

Please inspect and repair the tool before using it again.

Repair of the tool must only be carried out by qualified repair technicians.

Repair or maintenance by unqualified personnel can lead to a risk of injury.

Only the same spare parts can be used for repairing.

Care and cleaning

Clean the housing only with a damp cloth. Do not use any solvents! Dry thoroughly afterwards.

If the surrounding temperature is low or the tool has not been used for a long time, please turn on the tool to preheat for a period of time under no load. This allows the lubricant to circulate. Drilling is difficult without enough warm-up.

Tool lubrication

CAUTION:

THE MACHINE IS SUPPLIED SOME OIL WHEN U GET THE NEW MACHINE!

The new machine can run for 20-30h.

Oil level indicates the oil status. Adding 20-30g oil each time can help the machine run for 20-30h. Half the oil displayed in the oil hole window indicates that the machine is filled with oil and users should check oil window daily. Add too much oil will cause the machine not work. If you add too much oil, please pour it out.

The user must check the remaining oil regularly and replenish it as necessary according to the instructions.

It is recommended to re-lubricate tools after each time you change the brushes.

Type of oil: It is recommended to lubricate tools with Hydraulic oil type ISOVG46.

Send the tool to a service centre for lubrication. However, if circumstances allow you to carry out this operation yourself, proceed as follows:

1. Operate the tool for a few minutes to warm it up.
2. Switch off the tool and disconnect it from the socket.
3. Using the wrench (I) to unscrew the port (G) and be careful not to lose or damage the seals.
4. Fill oil tank.
5. Refit the cover on housing and secure it.

STORAGE

Keep the machine, operating instructions and accessories if necessary in the original package. In this way, you will always have all the information and parts ready. Properly pack the equipment or use the original packaging to avoid transportation damage.

Always keep the machine in dry place.

Please do not store the machine in a place with a higher temperature, as the oil in the housing may leak. After the machine has been used, it should be stored flat. Do not store in the vertical direction.

TROUBLESHOOTING INSTRUCTIONS

Common faults	Possible reasons	Troubleshooting
Oil leakage from the machine.	<ol style="list-style-type: none"> 1. Add too much oil. 2. The type of grease added is wrong. 3. The inner sealing ring is damaged. 	<ol style="list-style-type: none"> 1. Pour grease to an appropriate level. 2. Replace the grease type according to the model. 3. Send the machine to a professional maintenance centre to replace the seal rings.
Motor does not run when powered on.	<ol style="list-style-type: none"> 1. The connector is loose, or the switch is in poor contact. 2. The carbon brush is used up. 3. The motor is burned out. 	<ol style="list-style-type: none"> 1. Check whether the plug is loose or not in good contact. 2. Check the carbon brush and replace it if necessary. 3. Repair or replace the motor.
The electric pick has a recoil failure.	Add too much grease.	Reduce the amount of grease.
Machine surface overheating.	<ol style="list-style-type: none"> 1. The voltage of power supply drops. 2. Overloading causes the motor inflexible running. 3. Unsharp bits. 4. Lack of grease. 	<ol style="list-style-type: none"> 1. Check whether the voltage is normal. 2. Reduce the load of motors. 3. Grind the drill bit. 4. Add appropriate amount of grease in time.
Abnormal noise/no rotation/slow rotating speed after powered on.	<ol style="list-style-type: none"> 1. A foreign matter is stuck or rubbed. 2. The switch contacts are burned out. 3. The drill bit jamming or touches the steel bar. 	<ol style="list-style-type: none"> 1. Check whether there is foreign objects entering the machine. 2. Check and replace the switch contacts. 3. Check whether it touches the steel.

Manufacturer: YONGKANG JIAHAO INDUSTRY & TRADE CO., LTD.

Address: YUPI INDUSTRY AREA, WEST STREET, YONGKANG CITY, ZHEJIANG PROVINCE

Importer: WAITCHX

Address: 250 bis boulevard Saint-Germain 75007 Paris

Importer: FREE MOOD LTD

Address: 2 Holywell Lane, London, England, EC2A 3ET

EC	REP	EUREP GmbH Unterlettenweg 1a, 85051 Ingolstadt, Germany
-----------	------------	---

UK	REP	EUREP UK LTD UNIT 2264, 100 OCK STREET, ABINGDON OXFORDSHIRE ENGLAND OX14 5DH
-----------	------------	---

Made in China

VEVOR[®]

E-mail: CustomerService@vevor.com