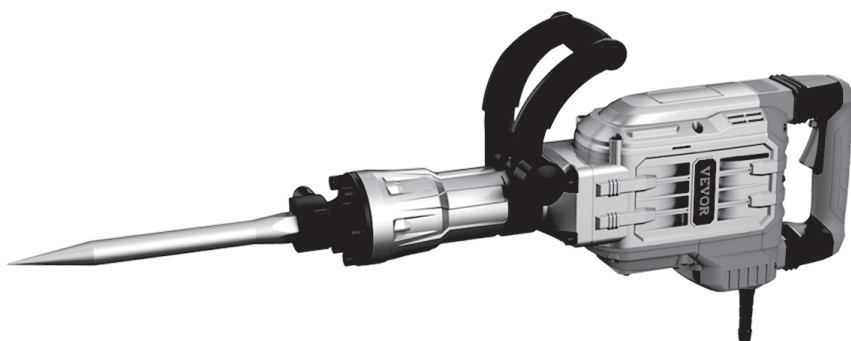


VEVOR[®]

ELECTRIC PICK USER MANUAL



NEED HELP? CONTACT US!

Have product questions? Need technical support? Please feel free to contact us:

CustomerService@vevor.com

This is the original instruction, please read all manual instructions carefully before operating. VEVOR reserves clear interpretation of our user manual. The appearance of the product shall be subject to the product you received. Please forgive us that we won't inform you again if there is any technology or software updates on our product.



DESCRIPTION OF THE SYMBOLS

The symbols used in this manual are intended to alert you of the possible risks. Please fully read the safety signs and instructions below. The warning themselves do not prevent the risks and can not be a substitute for proper methods of avoiding accidents.



This symbol, placed before a safety comment, indicates a kind of precaution, warning, or danger. Ignoring this warning may lead to an accident. To reduce the risk of injury, fire, or electrocution, please always follow the recommendations shown below.



WARNING - To reduce the risk of injury, users must read the instruction manual carefully.

Please refer to the appropriate section in this user manual before any operation.



WARNING: Be sure to wear eye protectors, dust masks and gloves when using this product.

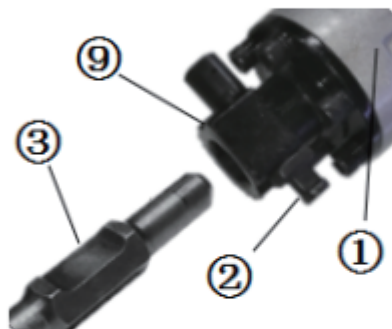
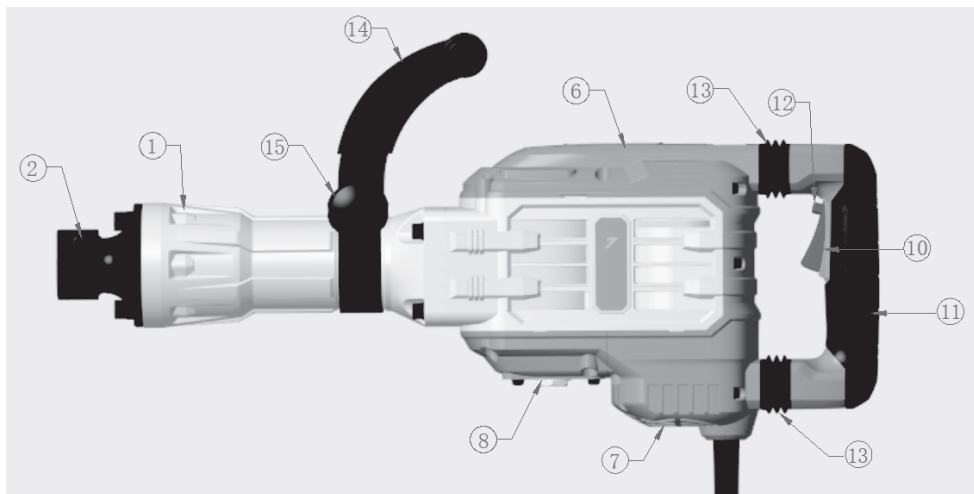


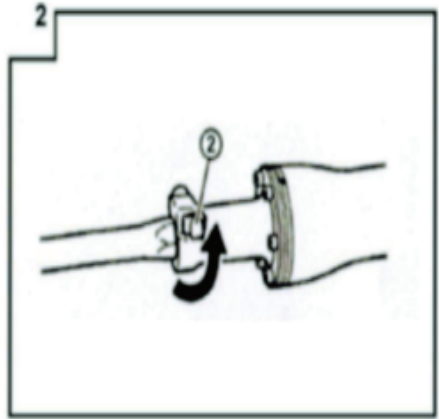
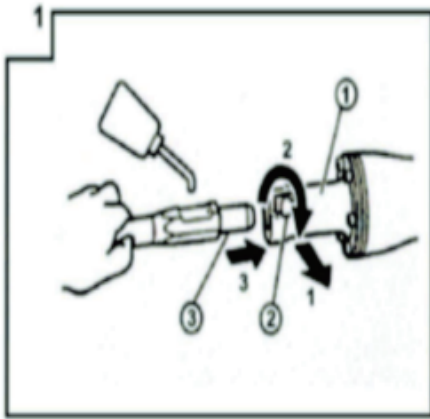
This product is subject to the provision of European Directive 2012/19/EC. The symbol showing a crossed-out wheeled bin indicates that the product requires separate refuse collection in the European Union. This symbol applies to the product and all accessories marked with this symbol. Products marked as such may not be discarded with normal domestic waste, but must be taken to a collection point for recycling electrical and electronic devices.

INSTRUCTION MANUAL

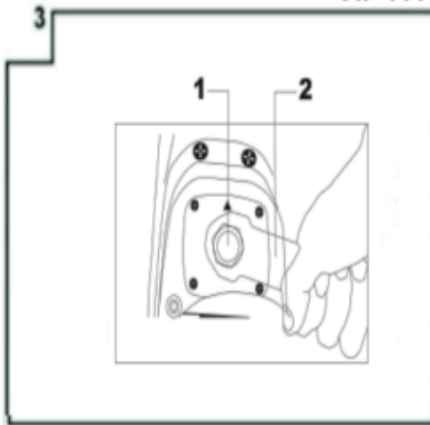


WARNING! Please read instruction manual carefully before use!

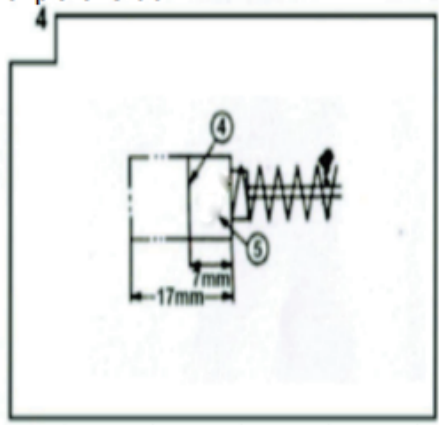




Installation of pickaxe bit



Removing and oiling



Carbon brush wear description

①	Cylinder House	⑨	Tool Mounting Port
②	Stop Lever	⑩	Control Switch
③	Tool shank	⑪	Handle
④	Wear limit (carbon brush)	⑫	lock button(control switch)
⑤	Carbon brush(7x17x24mm)	⑬	Shock absorbing structure
⑥	Gear cover	⑭	Additional handle
⑦	Back cover	⑮	Screw
⑧	Oil Inspection Window		

WARNING !

When using the equipment, a few safety pre-cautions must be observed to avoid injuries and damage. Please read the complete operating instructions and safety regulations with due care. Keep this manual in a safe place, so that the information is available at all times. If you give the equipment to any other person, hand over these operating instructions and safety regulations as well. We cannot accept any liability for damage or accidents which arise due to a failure to follow these instructions and the safety instructions.

1. GENERAL SAFETY RULES

WARNING! Read all instructions Failure to follow all instructions listed below may result in electric shock, fire and/or serious injury. The term "Power tool" in all of the warnings listed below refers to your mains-operated(corded)power tools or battery-operated(cordless) power tools. **SAVE THESE INSTRUCTIONS.**

1.0 Work Area Safety

- Keep the work area clean and well lit. Cluttered and dark areas invite accidents.
- Do not operate power tools in explosive atmospheres, such as in the presence of flammable liquids, gases or dust. Power tools create sparks which may ignite the dust or fumes.
- Keep children and other persons away from the electric tool while it is being used.
- Distractions can cause you to lose control.

1.1 Electrical safety

- Power tool plugs must match the outlet. Never modify the plug in any way. Do not use any adapter plugs with earthed (grounded) power tools. Unmodified plugs and matching outlets will reduce the risk of electric shock.
- Avoid body contact with earthed or grounded surfaces such as pipes, radiators, ranges and refrigerators. There is an increased risk of electric shock if your body is earthed or grounded.
- Do not expose power tools to rain or wet conditions. Water leaked into power tools will increase the risk of electric shock.
- Do not abuse the cord. Never use the cord for carrying, pulling or unplugging the power tools. Keep cord away from heat, oil, sharp edges or moving parts. Damaged or entangled cords increase the risk of electric shock.
- When operating a power tool outdoors, please use an extension cord which is suitable for outdoor use. Use of a cord suitable for outdoor reduces the risk of electric shock.
- If operating a power tool in a damp location is unavoidable, use a residual current device (RCD) to protect the power supply. Using of an RCD reduces the risk of electric shock.

1.2 Personal Safety

- Stay alert and observe what you are doing and use common sense when operating power tools. Do not use power tools while you are tired or under the influence of drugs, alcohol or medication. A temporary carelessness in the operation of power tools can lead to serious personal injury.
- Use personal protective equipment. Be sure to wear eye protection devices. Protective equipment such as dust masks, non-skid safety shoes, helmets, or hearing protection used for

appropriate conditions will reduce personal injuries.

- Prevent unintentional starting of the machine. Make sure the switch is in the off-position before connecting to power source and/or battery pack, picking up or carrying the tool. Carrying power tools with your finger on the switch or charging while the tool is on can lead to accidents.
- Remove any adjusting key or wrench before turning the power tool on. A wrench or a key left attached to a rotating part of the power tool may result in personal injury
- Keep proper standing poses and balance at all times. This enables better control of the power tool in unexpected situations.
- Dress properly. Do not wear loose clothing or jewellery. Keep your hair, clothing and gloves away from moving parts. Loose clothes, jewellery or long hair can be caught in moving parts.
- If devices are provided for the connection of dust extraction and collection facilities, ensure these are connected and properly used. The use of dust collection can reduce dust-related hazards.

1.3 Power Tool Use And Care

- Do not force the power tool. Use the correct power tool for your application. The adaptable power tools will work better and safely at the designed speed.
- Do not use the power tool if they can not be turned on and off. Any power tool that cannot be controlled with the switch is dangerous and must be repaired.
- Disconnect the plug from the power source and/ or the battery pack from the power tool before making any adjustments, changing accessories, or storing power tools. Such preventive safety measures reduce the risk of starting the power tool accidentally.
- Store idle power tools out of the reach of children and do not allow persons unfamiliar with the power tool or these instructions to operate the power tool. It is dangerous for untrained users to use these tools.
- Maintain power tools. Check for misalignment or binding of moving parts. Breakage and any other condition of the parts may affect the power tool's operation. If it is damaged, please repair the power tool before use. Many accidents are caused by poor maintenance of power tools.
- Keep cutting tools sharp and clean. Properly maintained cutting tools with sharp cutting edges are less likely to bind and are easier to control.
- Use the power tool, accessories, tool bits and so on in accordance with the instructions, taking into account the working conditions and the work to be performed. Use of the power tool for operations different from those intended could result in a hazardous situation.

1.4 Service

- Ask qualified maintenance personnel to use the same parts to repair and replace the power tools. This will ensure that the safety of the power tool is well maintained.
- Wear ear protectors. Exposure to the noise can cause hearing loss.
- Use the additional handle(s), if supplied with the tool. Loss of control can cause personal injury.
- Please hold power tools by its insulated gripping surface, when performing an operation where the cutting accessory may contact hidden wiring or its own cord. Cutting accessory contacting a live wire may make exposed metal parts of the power tool live and could give the operator an electric shock.
- Additional Safety rules for demolition Hammer . Check that your main voltage is identical with the marked voltage on the rating plate.
- If you use a cable reel, please run all the cable off the reel.

- Make sure of your footing, particularly when working free-handed on ladders or scaffolding.
- Use a detector to localize pipes and/or cables in walls with concealed electric, water or gas lines. Avoid any contact with conducting electrical parts or lines.
- Wear ear-muffs to protect your hearing: Risk of progressive loss of hearing!
- Wear goggles and use a breathing mask on dusty jobs.
- Never use the machine near vapors or combustible liquids.
- Always unplug the machine before cleaning it or changing drill bits etc.
- Keep the power cable safe from damage. Oil and acids can damage cables.
- Never overload the machine.

2. ADDITIONAL SAFETY NOTES

Wearing of safety goggles are recommended.

Wearing of noise-proof ear muffs are recommended.

Wearing of protective shoes are recommended.

Wearing of respiratory protection is recommended.



- The tool should be connected to a power source connected to the earth. If your installation needs an extension, make sure it is equipped with an earth plug.
- Store the tool in a dry place, far from sources of heat or of dangerous vapors (Recommended Temperature: 10–15 °C). Do not operate your tool near explosive or inflammable materials.
- Work with tools in good condition and adapted to the task to undertake. This equipment should be used as such and should not be overloaded. The tool should always be used with its additional handle(B) and firmly held with both hands.
- Before each use, check the oil level, the tightening of screws, and the correct mounting of the drive spindle.
- Make sure of not driving into live parts or gas or water pipes, etc. You would risk electrocution or an explosion. Detect any live or metallic parts before starting to work (for example, a live wire in a wall with a metals detector).
- Do not try to open or dismantle the tool or to intervene by yourself. Only a competent and specialized service can intervene in complete safety, by using origin parts and the manufacturer's drawings.
- Use auxiliary handles supplied with the tool.

3. ELECTRIC PICK INTRODUCTION

3.0 Introduction

Congratulations on the purchase of your new appliance. You have selected a high-quality product. The operating instructions are part of this product. They contain important information about safety, use and disposal. Before using the product, familiarize yourself with all operating and safety

instructions. Keep this manual in a safe place, so that the information is available at all times. If you give the equipment to any other person, give them these operating instructions as well. We accept no liability for damage or accidents which arise due to non-observance of these instructions and the safety information.

3.1 Intended use

This tool is designed to break, scale, drive concrete or similar materials. For example the installation of tubes, cables, washroom facilities of draining, and other civil engineering works.

3.2 Package contents

Quantity	Name	Quantity	Name
1	Electric Pick	1	User manual
2	Carbon Brush	1	Oil pot
2	Hexagon Wrench	1	Pointed chisel
1	Wrench	1	Flat chisel
1	Carrying Case	1	Mask
1	Glove	1	Safety Goggle

3.3 Technical specifications

Model: ZIG-DS-107M

Voltage	230 - 240 V ~ 50 Hz (EUR/AUS) / 120V~ 60Hz(USA)
Input Power	3500W
Rated Power	1700W
Impact rating	1900bpm
Protection class	II / III

4. BEFORE USE

Before you connect the equipment to the main supply, please make sure that the data on the rating plate is identical to the main data.

Warning !

Always disconnect the power plug before making adjustments to the equipment.

Check the drilling point for concealed electrical cables, gas and water pipes using a cable/pipe detector.

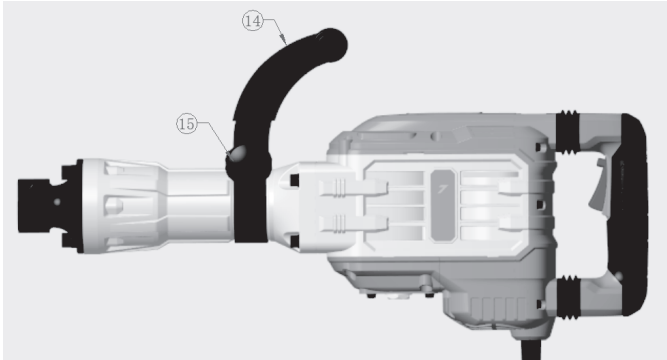
4.1 Additional handle

For safety reasons you must only use the demolition hammer with the additional handle.

The additional handle (14) enables you to achieve better stability whilst using the demolition hammer.

The additional handle ⑭ can be turned into any required position. Undo the screw ⑮ by turning it.

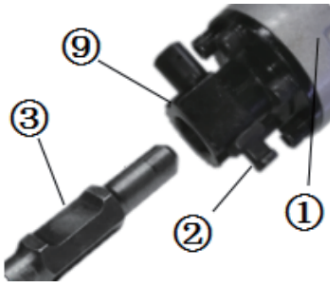
Now turn the additional handle ⑭ into the most comfortable working position for yourself and then tighten the screw ⑮ again by turning it.



(Fig. 1)

4.2 Inserting the tool

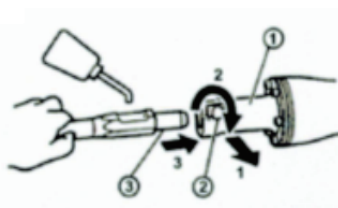
- Clean the tool before fitting it and apply a thin coating of grease to the tool shaft ③ (Fig. 4).
- Pull out the locking bolt ② as far as possible, turn it through 180° and release it (Fig. 3).
- Insert the tool into the tool mounting ⑨ and push it in as far as possible.
- Pull out the locking bolt ② again, turn it through 180° in the opposite direction and release it.
- Check the lock by pulling the tool.



(Fig. 2)



(Fig. 3)



(Fig. 4)



1. Flat Chisel 2. Point Chisel

(Fig. 5)

4.3 Removing the tool

Clamp the tool by turning the stop lever half a turn in the opposite direction when removing the tool.

5. OPERATION

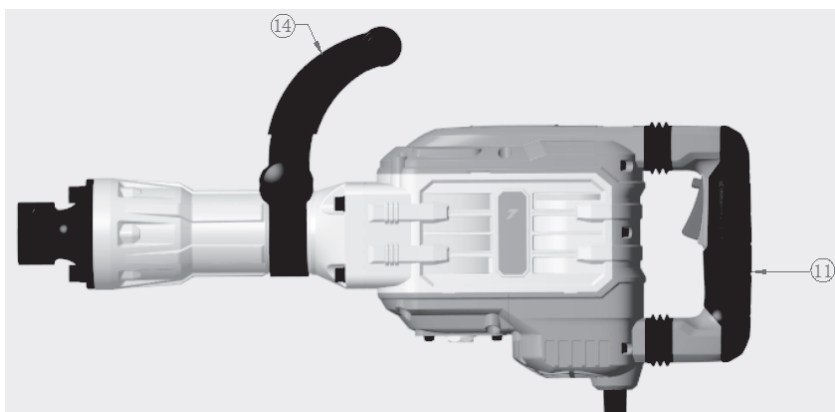
Warning!

- Before inserting the power plug of the demolition hammer, be sure to confirm whether the power switch can be pulled freely, and whether it can be returned to the "OFF" position when the power switch is released.

- To avoid danger, the machine must only be held using the two handles.

Fig. 6: Handle ⑪ - additional handle ⑭.

- Otherwise you may suffer an electric shock if you chisel into cables.



(Fig. 6)

5.1 Control Switch

- To switch on: Press the control switch ⑩.

- To switch off : Release the control switch ⑩.

When you want to turn it on, you only need to pull the power switch; loosen the power switch to turn it off. During continuous operation, pull the power switch, and then press the lock button ⑫ . To shut down from the locked position, pull the power switch to the end and then release it.

5.2 Practical tips

Sharpening chisel tools

You will only achieve good results if you use sharp chisels. You should therefore sharpen the chisels promptly to ensure that they produce good results and provide a long service life.

Notice!

You only require slight contact pressure for chiseling. Excessive contact pressure will place an unnecessary strain on the motor. Check the chisels at regular intervals. Sharpen or replace blunt chisels.

6. REPLACING THE POWER CABLE

Warning!

If the power cable for this equipment is damaged, repairs should only be carried out by qualified persons using original or safe parts; otherwise this may result in considerable danger to the user.

7. CLEANING AND MAINTENANCE

Warning!

Always pull out the main power plug before starting any cleaning work.

Check every day the tightening of screws and nuts. Except the procedures described in this manual, this tool needs no specific maintenance. The repair of the tool's inner components should be replaced by specialists.

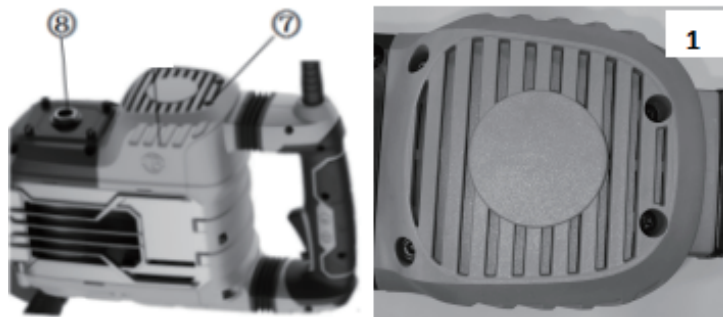
7.1 Cleaning

- Keep all safety devices, air vents and the motor housing free of dirt and dust as far as possible. Wipe the equipment with a clean cloth or blow it with compressed air at low pressure.
- We recommend that you clean the device immediately each time you finish using.
- Clean the equipment regularly with a moist cloth and some soft soap. Do not use cleaning agents or solvents; these could attack the plastic parts of the equipment. Ensure that no water seeps into the equipment. Water entering power tools increases the risk of electric shock.

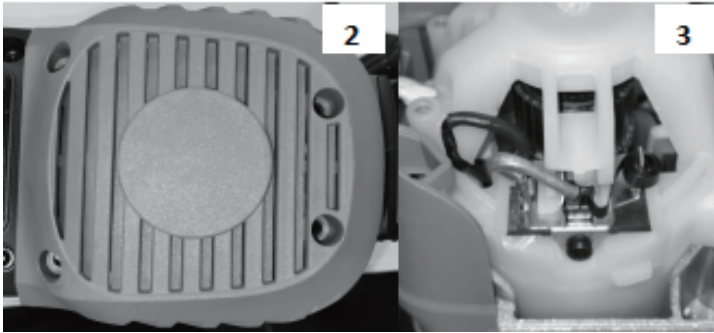
7.2 Check or change of carbon brushes

These procedures are always done unplugged from the 230V/120V network.

- Checking the carbon brushes is advised after 50 hours of use of the tool. When the resin insulating tip inside the carbon brush is exposed to contact the commutator, it will automatically shut off the motor. When this occurs, both carbon brushes should be replaced. Keep the carbon brushes clean and free to slip in the holders.
- In case of wear or in case of forming of excessive sparks, imperatively change both brushes by carbon brushes with identical characteristics.
- Remove the screws and the cover ⑦. Remove the carbon-holder cap and remove the brush. The carbon part should be at least 5mm long.

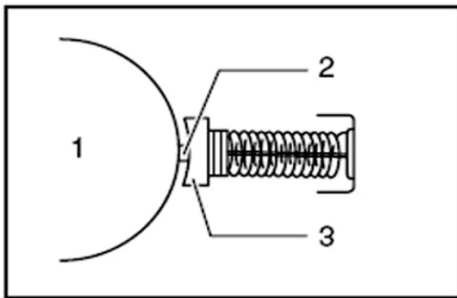


(Fig. 7)



(Fig. 8)

Replacing carbon brushes



(Fig.9)

- 1.Commutator
- 2.Insulating tip
- 3.Carbon brush

7.3 Servicing

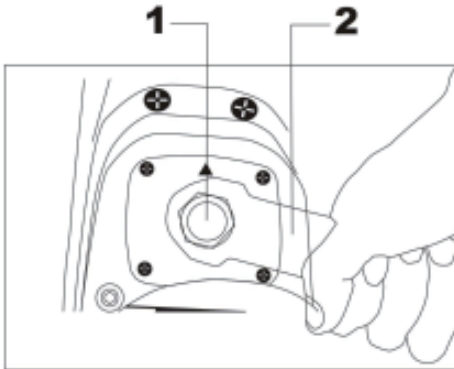
Check the oil level

- Check the oil level before using the machine. Place the machine on the floor with the tool mounting pointing downwards. The oil must be at least 3 mm above the bottom edge of the inspection window ⑧.
- Changing the oil: The oil should be changed after around 40-50 hours of use. Recommended oil: 45ml SAE 15W/40 or an alternative of the same quality.

Oil change

If circumstances require that you should lubricate it by yourself, proceed as follows:
 First, switch off the machine and pull the mains plug out of the socket.
 Undo the hexagonal head screw with the inspection window ⑧ using the wrench and drain the oil.

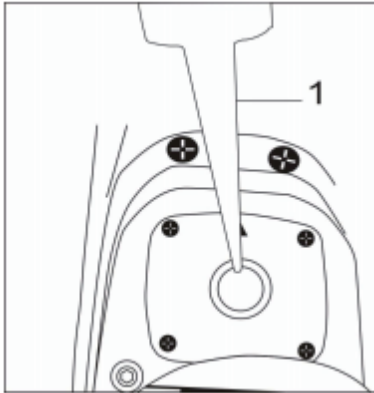
Lubrication



- 1.Cap
- 2.Wrench

(Fig. 10)

To prevent the oil from running out in an uncontrolled manner, please hold a small metal chute under the opening and collect the oil in a vessel until it has fully drained out of the machine. Use a wrench 2 to remove the cap, then replenish with fresh grease (60g) . Filling with more than the specified amount of grease can cause faulty hammering action or tool failure. Fill only with the specified amount of grease. Reinstall the cap and secure it with the wrench. Re-check the oil level after a short period of operation.



- 1.Hammer Grease

(Fig. 11)

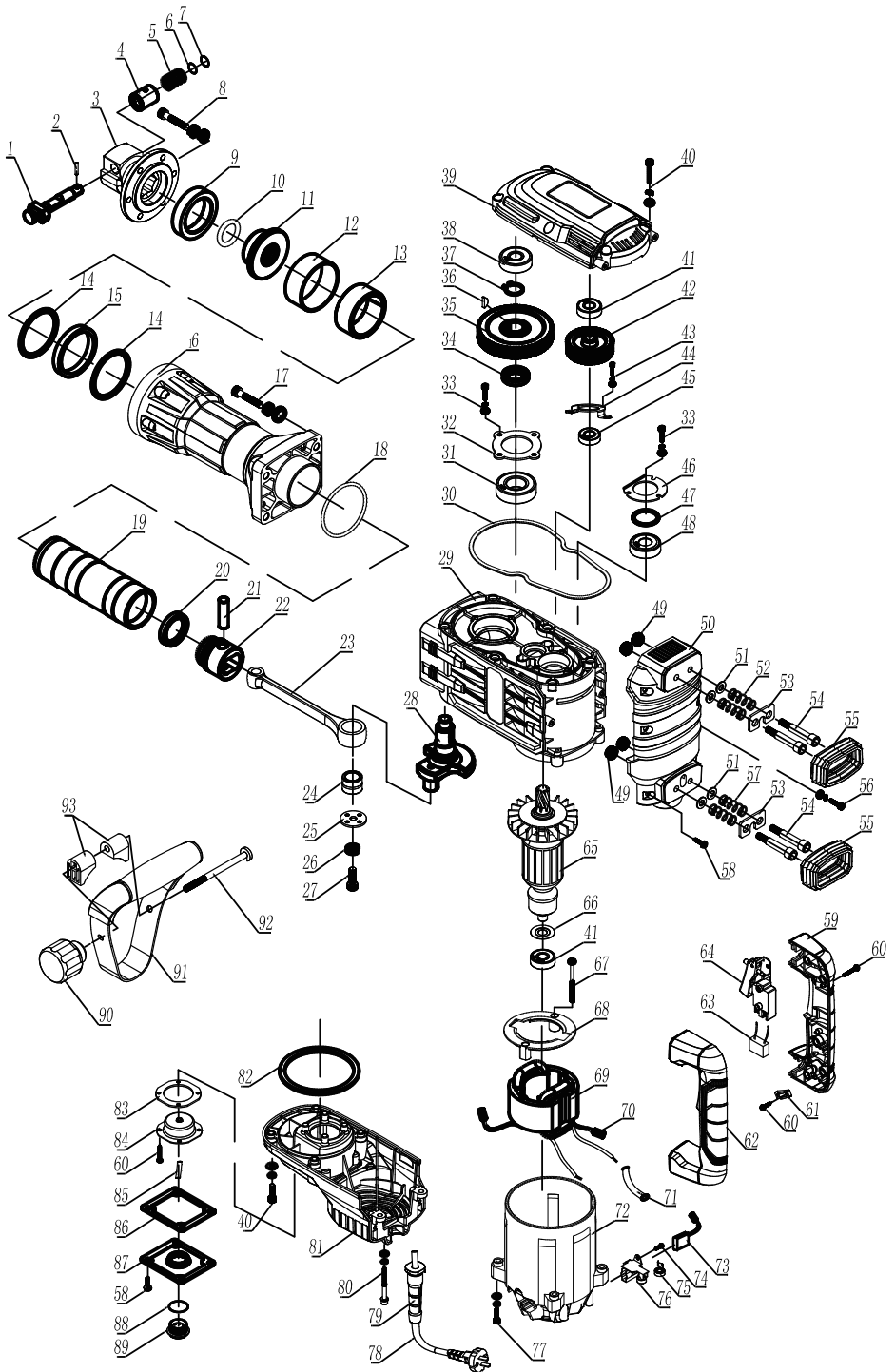
Warning! The waste oil must be disposed of in the appropriate collection point for waste oil.

7.4. Storage

Store the equipment and accessories in a dark and dry place at above freezing temperature. The ideal storage temperature is between 5 and 30 °C. Store the electric tool in its original package.

Z1G-DS-107M Spare Parts List

NO	English name	QTY	NO	English name	QTY
1	Stop Lever	1	48	Bearing Cover 6203	1
2	Pin 4X18	1	49	Hex.Socket Hd.Bolt M8	4
3	Block Blessing	1	50	Handle Set 107MA	1
4	Spring Case 23X28	1	51	Washer 8	4
5	Spring 17.2X1.59X26.5	1	52	Damping Spring Φ10.5XΦ1.6X28X6	2
6	Washer 12.4X17.6X2.6	1	53	Damping Plate	2
7	Washer 12.5X18X0.8	1	54	Damping Screw M8X43	4
8	Nylock Hex.Socket Hd.Bolt M10X35	6	55	Damping Sleeve 107MA	2
9	Damper 47.5X66.5X14.3	1	56	Nylock Hex.Socket Hd.Bolt M5X16	2
10	O-Ring 23.6X5	1	57	Damping spring Φ10.5XΦ1.6X28X6	2
11	Shank Sleeve	1	58	Self-tapping Screw ST4.8X18	8
12	Ring	1	59	Damping Right Handle	1
13	Ring	1	60	Self-tapping Screw ST3.9X16	11
14	Ring 57.5X68.4X2	2	61	Cable Plate	1
15	Damper 58X68X9.3	1	62	Capacitance	1
16	Cylinder House	1	63	Damping Lift Handle	1
17	Nylock Hex.Socket Hd.Bolt M8X40	4	64	Switch	1
18	O-Ring 60X2	1	65	Rotor	1
19	Cylinder	1	66	Dust Cover 12.1X31X0.5	1
20	O-Ring	1	67	Self-tapping Screw ST4.8X65	2
21	Pin 12X44	1	68	Fan Guide 107H	1
22	Positon	1	69	Stator	1
23	Connecting Rod	1	70	Spring 6.3	2
24	Needle Bearing NK18/20	1	71	Glass Casing	1
25	Needle Bearing board 34X2.3	1	72	Plastic House	1
26	Washer 8	5	73	Brush 7X17X24 107H	2
27	Nylock Hex.Socket Hd.Bolt M8X30	1	74	Self-tapping Screw ST3.9X12	2
28	Crankshaft	1	75	Coil Spring	2
29	Rotor Housing	1	76	Brush Frame 107H	
30	O-Ring	1	77	Nylock Hex.Socket Hd.Bolt M5X35	2
31	Bearing 6205	1	78	Cable	1
32	Bearing Cover	1	79	Cable Sheath	1
33	Nylock Hex.Socket Hd.Bolt M5X22	7	80	Nylock Hex.Socket Hd.Bolt M5X45	2
34	Ring 22.5X37X7.5	1	81	Back Cover 107MA	1
35	Big Gear	1	82	Oil Seal Ring 80D	1
36	Key 4X6.5X16	2	83	Oil Core Rack Seal Ring 65A	1
37	Ring 22	1	84	Oil Core Holder	1
38	Bearing 6302	1	85	Oil Core Holder Seal	1
39	Gear Cover	1	86	Washer	1
40	Nylock Hex.Socket Hd.Bolt M6X25	10	87	Oil Box Cover	1
41	Bearing 6201	2	88	O-Ring	1
42	Gear	1	89	Oil Gauge	1
43	Nylock Hex.Socket Hd.Bolt M4X14	2	90	Button 75	1
44	Bearing Cover 26KA	1	91	Hand Grip	1
45	Bearing 6001RZ	1	92	Nylock Hex.Socket Hd.Bolt M8X110	1
46	6203 Bearing Cover	1	93	Handle Holder	2
47	Washer 29.5X39.5X2	1			



Manufacture: Zhejiang Deshuo Electric Appliance Co.,Ltd.
ADD: No.111 Jingui South Road,Chengxi New Area,Yongkang,Jinhua,Zhejiang

Importer: WAITCHX
Address: 250 bis boulevard Saint-Germain 75007 Paris
Importer: FREE MOOD LTD
Address: 2 Holywell Lane, London, England, EC2A 3ET

EC	REP	EUREP GmbH Unterlettenweg 1a, 85051 Ingolstadt, Germany
-----------	------------	---

UK	REP	EUREP UK LTD UNIT 2264, 100 OCK STREET, ABINGDON OXFORDSHIRE ENGLAND OX14 5DH
-----------	------------	---

Made in China

VEVOR[®]

E-mail: CustomerService@vevor.com