

VEVOR[®]

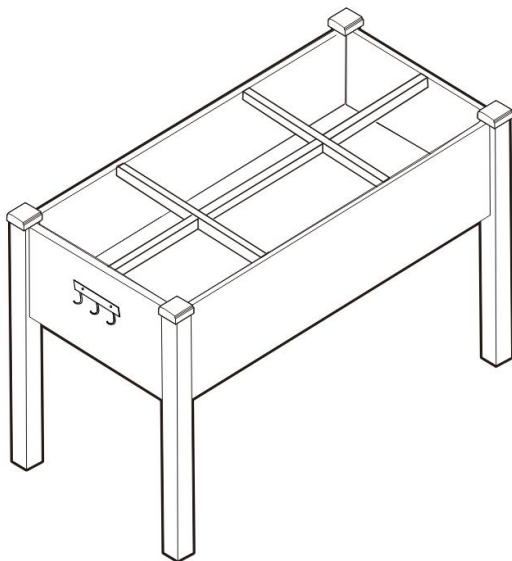
TOUGH TOOLS, HALF PRICE

Support and E-Warranty Certificate
<https://www.vevor.com/support>

INSTRUCTION FOR WOODEN PLANTER

We continue to be committed to provide you tools with competitive price. "Save Half", "Half Price" or any other similar expressions used by us only represents an estimate of savings you might benefit from buying certain tools with us compared to the major top brands and does not necessarily mean to cover all categories of tools offered by us. You are kindly reminded to verify carefully when you are placing an order with us if you are actually saving half in comparison with the top major brands.

HL12076



NEED HELP? CONTACT US!

Have product questions? Need technical support? Please feel free to contact us:

 [**CustomerService@vevor.com**](mailto:CustomerService@vevor.com)

This is the original instruction, please read all manual instructions carefully before operating. VEVOR reserves a clear interpretation of our user manual. The appearance of the product shall be subject to the product you received. Please forgive us that we won't inform you again if there are any technology or software updates on our product.

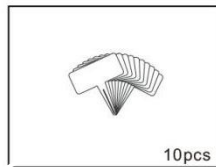
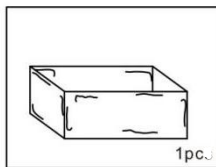
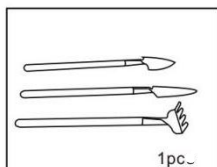
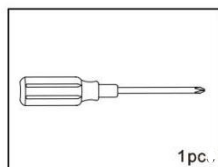
⚠ NOTICE Please retain instructions for future needs.

- Do not stand on or use any parts of this item as a step ladder.
- Fasten screws loosely during assembly. Do not firmly tighten the screws until the item is completely assembled.
- Double-check all the bolts, screws, and knobs have been firmly tightened before use.
- To prevent items fall apart, please regularly check if all bolts, screws, and knobs are secure.
- Do not use or store this item in the proximity of open flame or flammable/combustible chemicals.
- Be aware that some parts are heavy and have sharp edges when assembling and using.
- Do not use this item in a way inconsistent with the manufacturer's instructions as this could void the product warranty.
- This item is made of wood and may expand due to moisture.
- It is more convenient for two people to install it together.

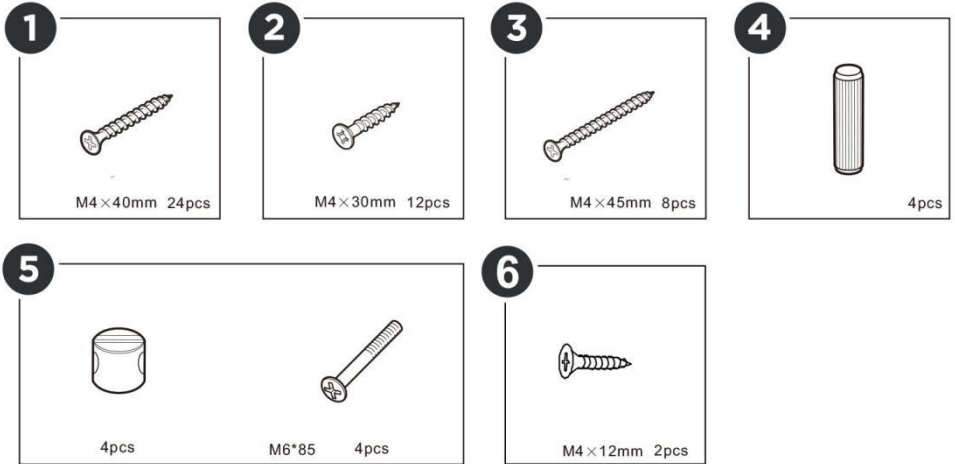
SPECIFICATIONS

Model	HL12076
Product Size	120x58x76cm
Load Capacity	100Kg
Load Capacity Of Hanger	5Kg
Net Weight	13Kg
Gross Weight	14.4Kg
Color	Natural

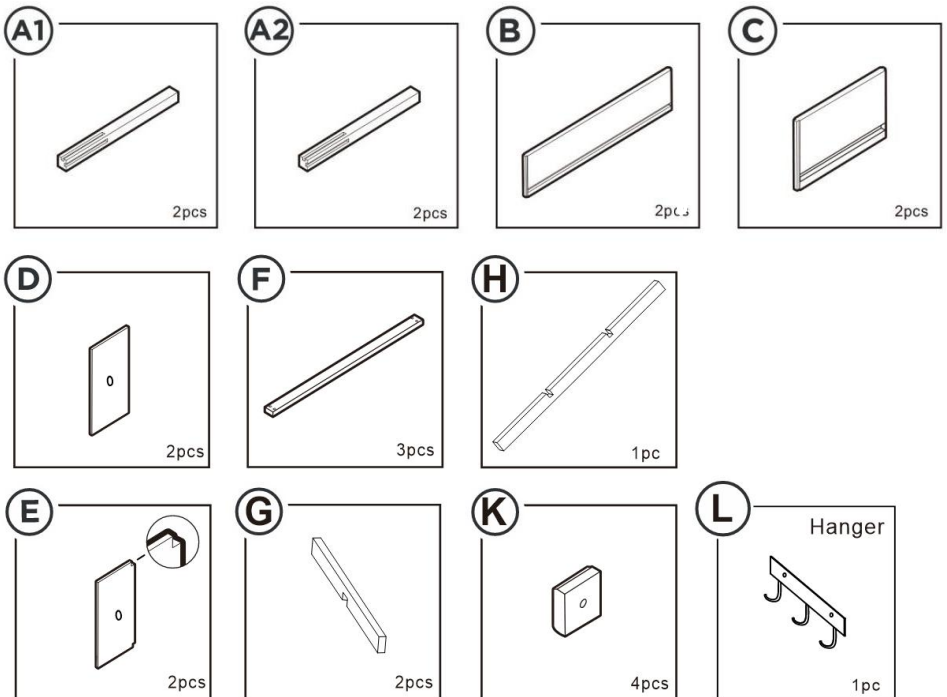
ACCESSORY



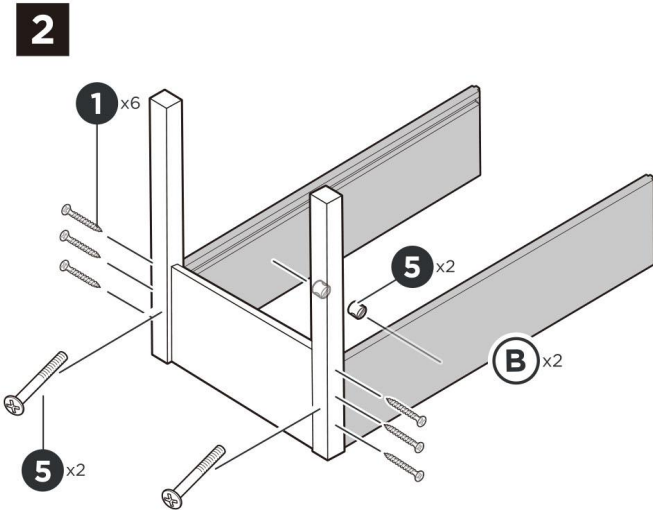
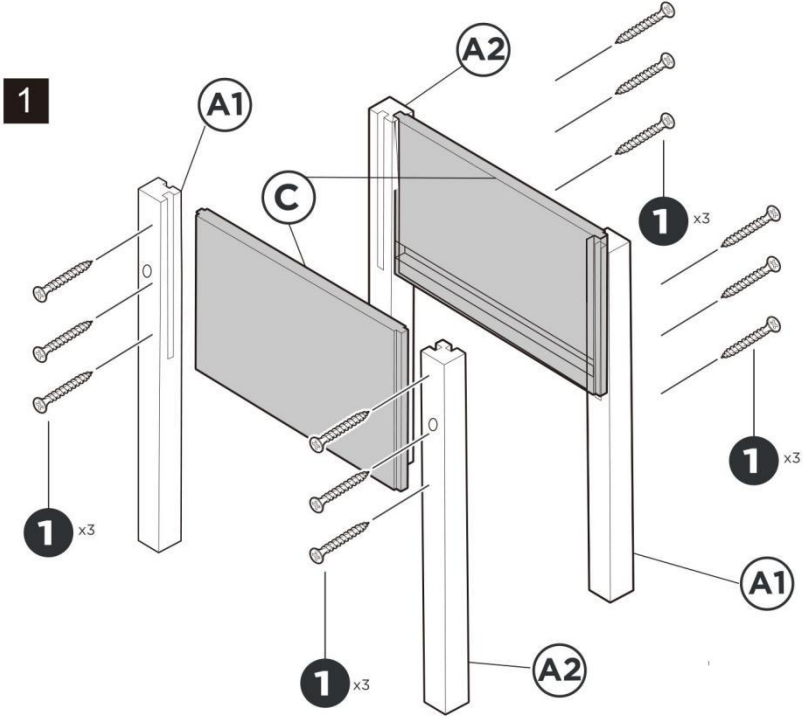
HARDWARE



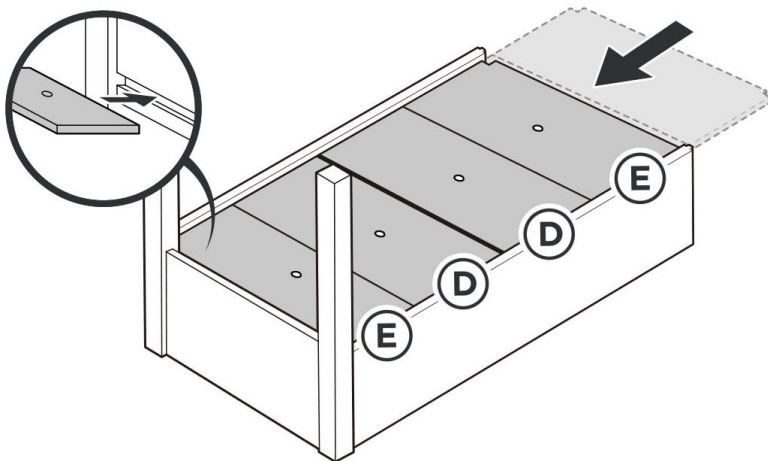
PARTS



PRODUCT ASSEMBLY

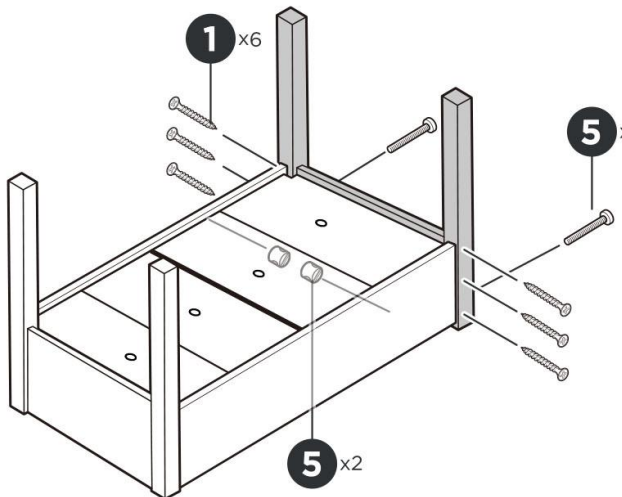


3

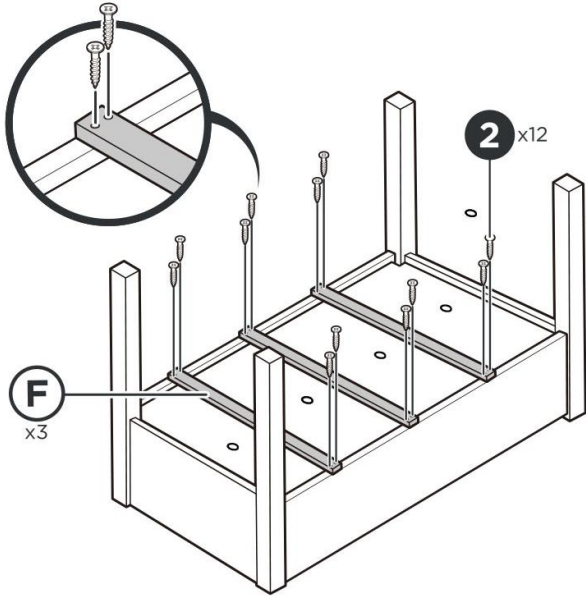


There will be a slight gap between the two D parts, this is normal and will reduce warping from moisture.

4

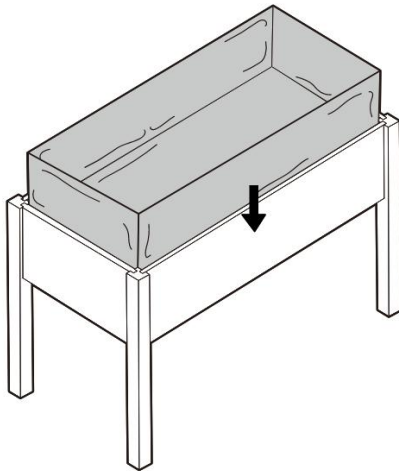


5

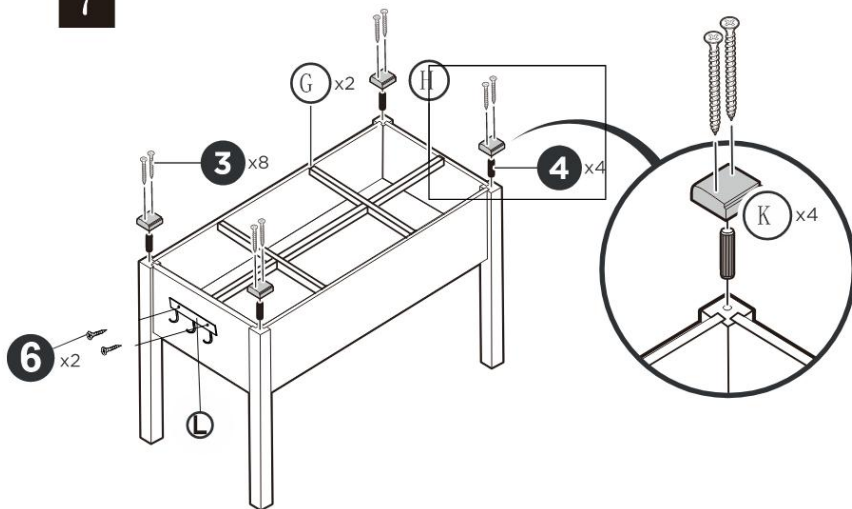


6 |

6

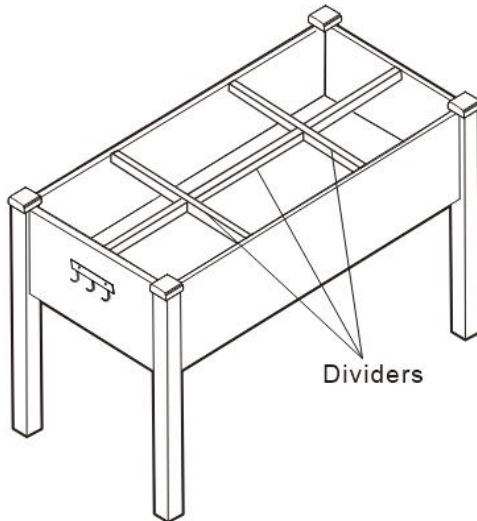


7



! Notice: You can install the L part where you want on the planter.

8



! Notice: Dividers can be put in or taken out as needed.

Manufacture: Zhejiang Anji Huilian Wooden Products Co.,Ltd
Address: Baofu Town,Anji City,Zhejiang Province,China

UK Importer: FREE MOOD LTD
Address: 2 Holywell Lane, London, England, EC2A 3ET

EC Importer: WAITCHX
Address: 250 bis boulevard Saint-Germain 75007 Paris

Made In China



EUREP UK LTD
UNIT 2264, 100 OCK STREET, ABINGDON
OXFORDSHIRE ENGLAND OX14 5DH



EUREP GmbH
Unterlettenweg 1a, 85051
Ingolstadt, Germany

VEVOR[®]

TOUGH TOOLS, HALF PRICE

Support and E-Warranty Certificate

<https://www.vevor.com/support>