

VEVOR[®]

TOUGH TOOLS, HALF PRICE

Technical Support and E-Warranty Certificate

www.vevor.com/support

STEEL WIRE SHELF USER MANUAL

We continue to be committed to provide you tools with competitive price.

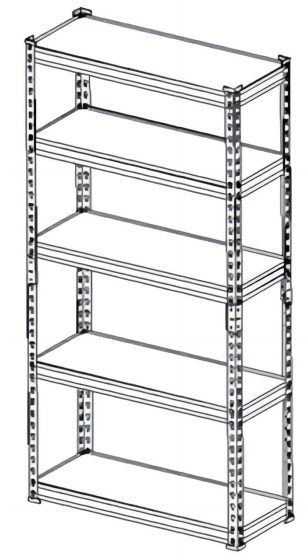
"Save Half", "Half Price" or any other similar expressions used by us only represents an estimate of savings you might benefit from buying certain tools with us compared to the major top brands and does not necessarily mean to cover all categories of tools offered by us. You are kindly reminded to verify carefully when you are placing an order with us if you are actually saving half in comparison with the top major brands.

VEVOR®

TOUGH TOOLS, HALF PRICE

STEEL WIRE SHELF

MODEL: ZMV0 / TAV0 / 5KV0 / SCV0






NEED HELP? CONTACT US!

Have product questions? Need technical support? Please feel free to contact us:

 CustomerService@vevor.com

This is the original instruction, please read all manual instructions carefully before operating. VEVOR reserves a clear interpretation of our user manual. The appearance of the product shall be subject to the product you received. Please forgive us that we won't inform you again if there are any technology or software updates on our product.

IMPORTANT SAFETY INSTRUCTIONS

	Warning - To reduce the risk of injury, user must read instructions manual carefully.
	This symbol, placed before a safety comment, indicates a kind of precaution, warning, or danger. Ignoring this warning may lead to an accident. To reduce the risk of injury, fire, or electrocution, please always follow the recommendation shown below.
	Warning- Be sure to wear gloves when using this product.

WARNING!

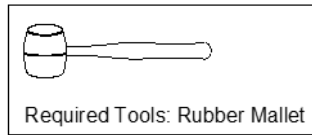
- 1) Keep this manual for the safety warnings and precautions. The manual offers important information on how to assemble, use and maintain this product.
- 2) Please handle metal edges carefully.
- 3) DO NOT stand on this product or use it as a ladder.
- 4) DO NOT alter this product in any manner that is not intended, as this may cause product damage or personal injury.
- 5) Always assemble on an even surface.
- 6) The maximum loaded weight for each shelf is no more than 180 kg, evenly distributed.
- 7) Store the heaviest items on lower shelves.
- 8) Attach the unit to the wall if filling to capacity (fittings not included).

ASSEMBLY PRECAUTIONS

1. Please assemble the product in strict accordance with the instructions. Incorrect assembly could be hazardous.
2. Please wear safety goggles and work gloves properly during assembly.
3. Do not try to assemble the product when feeling tired or when under the influence of alcohol, drugs or medication.

4. Load bearing capacity and other product parameters are applied to the properly and completely assembled product only.

5. A hammer and a pair of gloves may also be used, provided a cloth or wood block is placed between the hammer head and the parts.



USE PRECAUTIONS

1. This product is not a toy. Do not allow children to play with or get access to this item.

2. Check carefully before use. Do not use if parts get loosened or damaged.

4. Use on flat, level, and hard surfaces only.




5. Do not exceed the listed load bearing capacity. Tighten all the knobs securely before placing weights on. Be aware of the dynamic load bearing capacity! Sudden load changes may temporarily cause excessive load, resulting in product failure.

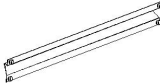

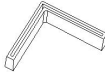
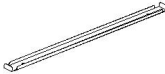
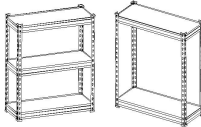
SAVE THESE INSTRUCTIONS

PRODUCT PARAMETERS

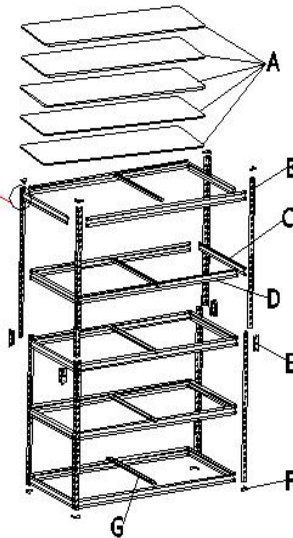
SKU	1	2	3	4
Model	ZMV0	TAV0	5KV0	SCV0
Product size	12×30×60inch	18×36×72inch	18×48×72inch	24×48×72inch
	840×310×85mm	990×460×80mm	1300×465×80mm	1300×620×80mm
G.W.:	13.7kg	20.5kg	29.3kg	34.4kg
Total load limit	2000lbs	2000lbs	2000lbs	2000lbs
load limit for each layer	400lbs	400lbs	400lbs	400lbs

PART LIST

Part	Description	Picture	Part Qty			
			ZMV0	TAV0	5KV0	SCV0
			12×30×60 inch	18×36×72 inch	18×48×72 inch	24×48×72 inch
A	7mm MFD		5	5	5	5
B	Upright post		8	8	8	8
C	Top shelf short beam		10	10	10	10

D	Top shelf long beam		10	10	10	10
E	Fixings		4	4	4	4
F	Post cap		16	16	16	16
G	Reinforcer		0	0	5	5
Height of separated shelves			30inch	36inch	36inch	36inch

Top shelf beam rivets has a design that allowing Steel mesh to sit.



Attention:

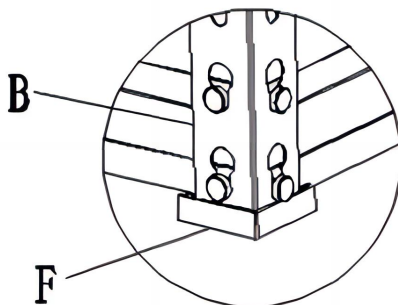
For additional information regarding the parts listed below, please refer to the Assembly Diagram of this manual. Unwrap and separate all parts in a clear work area.

ASSEMBLY STEP

Step 1: Post Cap Assembly

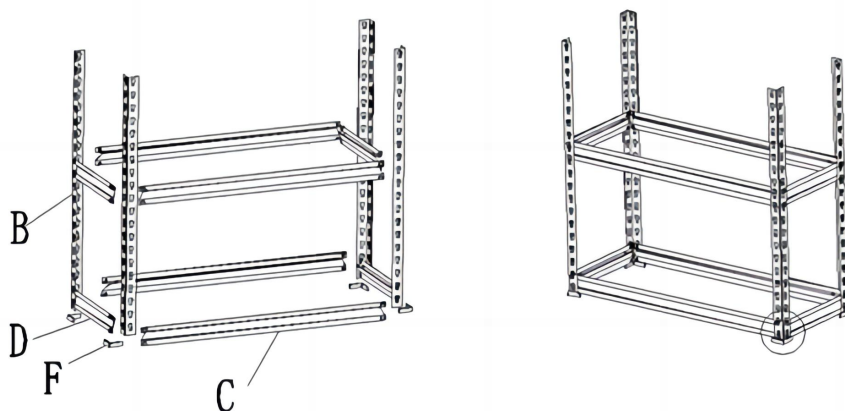
1. Slide each post (B) into post cap (F) as shown.
2. Repeat for all 4 upright posts.

Attention: post caps for upright feet only.



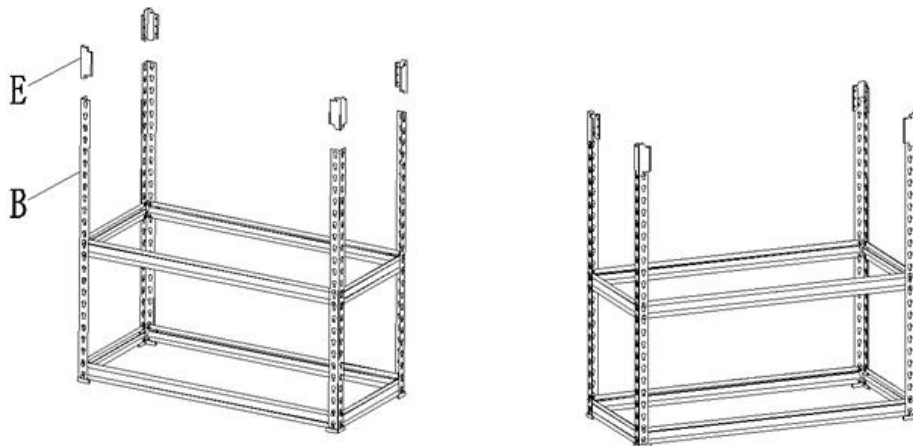
Step 2: Short and Long Beam Assembly

1. Align short beams (D) & top shelf long beam (C) to aligned notches between four upright posts (B).
2. Once in position, tap firmly using a rubber mallet.
3. Repeat process for opposite side, ensuring both ends are set at the same height.



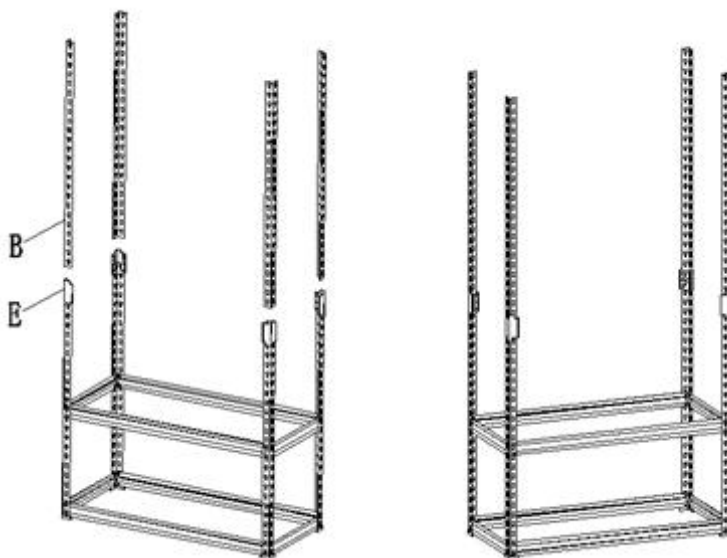
Step 3: Fixings Assembly

1. Fix fixings(E) at the top of the upright post(B), and tap down to the end.



Step 4: Install The Upright Post

1. The bottom of the upright post(B) is secured to each fixing(E), and tap down to the end.

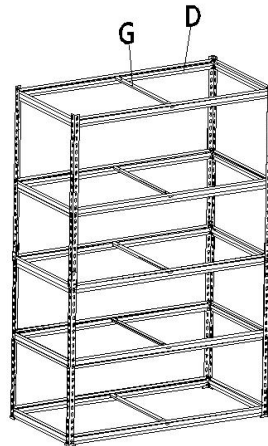
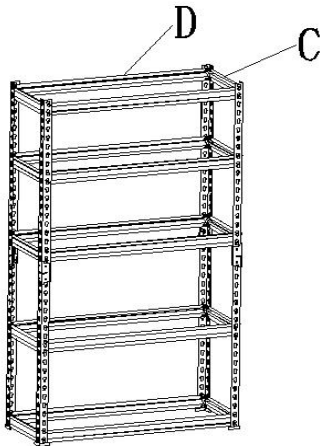


Step 5: Install the third, fourth and fifth top shelf long beam(D) and short beam(C); the installation method is the same as Step 2.



Step 6: Install the Reinforcer.

1. install part G on each part D.



SKU1 and SKU2 are
without part G

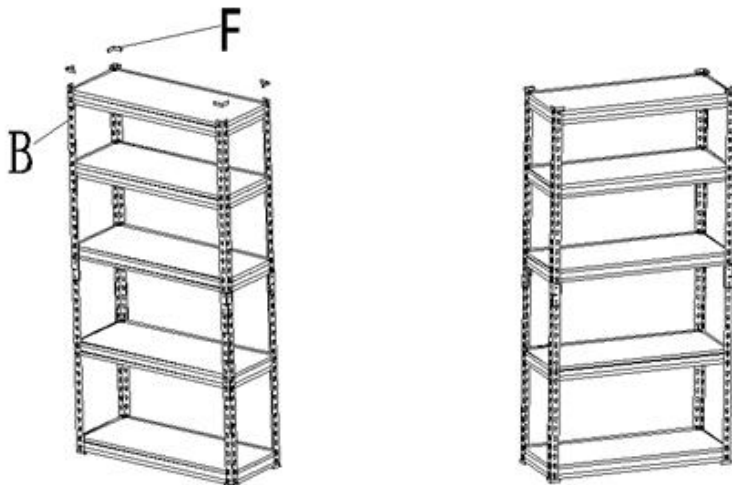
Step 7: 7mm MDF Top Shelf Assembly

1. Insert 7mm MDF top shelf (A) on to the top shelf supports.
2. Ensure it sits flush with the top of the unit frame.

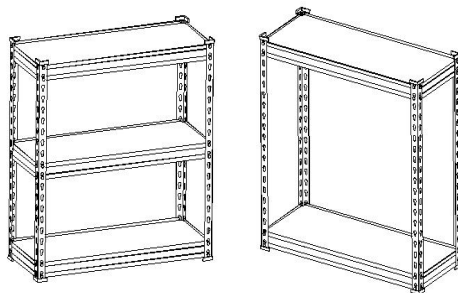


Step 8: Install The Top Glue Foot

1. Slide each post (B) into post cap (F) as shown.
2. Repeat for all 4 upright posts.
3. Assembly is now complete, and your unit is ready for use.



Attention: this product can be separated with two shelf. You can find the height of each shelf in the table of part list.



Address: Baoshanqu Shuangchenglu 803long 11hao 1602A-1609shi
Shanghai

Imported to AUS: SIHAO PTY LTD, 1 ROKEVA STREET EASTWOOD
NSW 2122 Australia

Imported to USA: Sanven Technology Ltd., Suite 250, 9166 Anaheim
Place, Rancho Cucamonga, CA 91730



Pooledas Group Ltd
Unit 5 Albert Edward House, The Pavilions
Preston, United Kingdom



SHUNSHUN GmbH
Römeräcker 9 Z2021, 76351
Linkenheim-Hochstetten, Germany

Made In China

VEVOR[®]

TOUGH TOOLS, HALF PRICE

Technical Support and E-Warranty Certificate

www.vevor.com/support