

VEVOR[®]

TOUGH TOOLS, HALF PRICE

Technical Support and E-Warranty Certificate www.vevor.com/support

FLAT WING DRILL

We continue to be committed to provide you tools with competitive price.

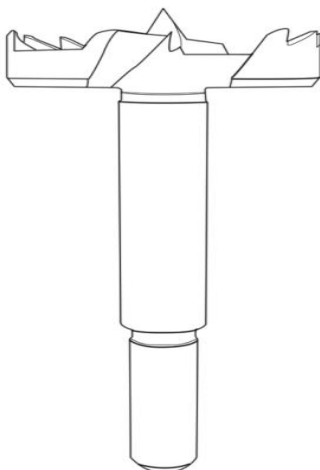
"Save Half", "Half Price" or any other similar expressions used by us only represents an estimate of savings you might benefit from buying certain tools with us compared to the major top brands and does not necessarily mean to cover all categories of tools offered by us. You are kindly reminded to verify carefully when you are placing an order with us if you are actually saving half in comparison with the top major brands.

VEVOR[®]

TOUGH TOOLS, HALF PRICE

FLAT WING DRILL

MODEL: M16



NEED HELP? CONTACT US!

Have product questions? Need technical support? Please feel free to contact us:

Technical Support and E-Warranty Certificate
www.vevor.com/support

This is the original instruction, please read all manual instructions carefully before operating. VEVOR reserves a clear interpretation of our user manual. The appearance of the product shall be subject to the product you received. Please forgive us that we won't inform you again if there are any technology or software updates on our product.



Warning-To reduce the risk of injury, user must read instructions manual carefully.

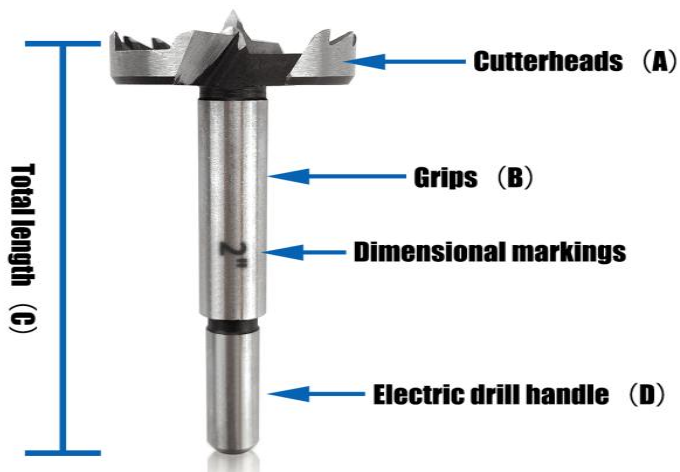
WARNING!

1. Before using this product, please read instructions carefully and understand the specifications.
2. Inspect before every use; do not use if damaged.
3. Keep away from children.
4. When using this product, be sure to wear personal protective equipment such as protective gloves and goggles to prevent accidental injury.
5. When using this product, pay attention to keep the drills clean to prolong the service life.
6. When using this product, do not put your fingers or other objects into the drills to avoid injury.
7. Please don't use wing drill head instead of a hammer to strike

Scope of application: This product series can be used in a variety of wood panels, wood products.

Round shanks are easy to install and tighten, preventing drill bit slipping.

The round shank fits any electric machine and drilling rig



Cutterheads (A)		Total length (C) mm	Grips Diameter and length (B) mm	Electric drill handle (D) mm
in	mm			
1/4	6	90	Φ 6*32	Φ 10*30
3/8	9	90	Φ 8*32	Φ 10*30
1/2	12	90	Φ 8*32	Φ 10*30
19/32	15	90	Φ 10*40	Φ 8*30
5/8	16	90	Φ 10*40	Φ 10*28
3/4	19	90	Φ 10*40	Φ 10*28
11/14	20	90	Φ 10*40	Φ 8*28
7/8	22	90	Φ 10*40	Φ 10*28
1	25	90	Φ 12*40	Φ 8*28
1-1/8	28	90	Φ 12*40	Φ 10*28
1-2/11	30	90	Φ 12*40	Φ 8*28
1-1/4	32	90	Φ 12*40	Φ 9*28
1-3/8	35	90	Φ 12*40	Φ 10*28
1-1/2	38	90	Φ 12*40	Φ 10*30
1-3/5	40	90	Φ 12*40	Φ 10*30
1-5/8	41	90	Φ 12*40	Φ 10*28

Address: Baoshanqu Shuangchenglu 803long 11hao 1602A-1609shi Shanghai
Imported to AUS: SIHAO PTY LTD, 1 ROKEVA STREETEASTWOOD NSW 2122
Australia

Imported to USA: Sanven Technology Ltd., Suite 250, 9166 Anaheim Place,
Rancho Cucamonga, CA 91730



SHUNSHUN GmbH
Römeräcker 9 Z2021,76351
Linkenheim-Hochstetten, Germany



Pooledas Group Ltd
Unit 5 Albert Edward House, The
Pavilions Preston, United Kingdom

Made In China

VEVOR[®]
TOUGH TOOLS, HALF PRICE

Technical Support and E-Warranty Certificate
www.vevor.com/support