

# **VEVOR<sup>®</sup>**

**TOUGH TOOLS, HALF PRICE**

Technical Support and E-Warranty Certificate

[www.vevor.com/support](http://www.vevor.com/support)

## **EXPLOSION-PROOF FAN**

We continue to be committed to provide you tools with competitive price.

"Save Half", "Half Price" or any other similar expressions used by us only represents an estimate of savings you might benefit from buying certain tools with us compared to the major top brands and does not necessarily mean to cover all categories of tools offered by us. You are kindly reminded to verify carefully when you are placing an order with us if you are actually saving half in comparison with the top major brands.

# VEVOR<sup>®</sup>

TOUGH TOOLS, HALF PRICE

## EXPLOSION-PROOF FAN



### NEED HELP? CONTACT US!

Have product questions? Need technical support? Please feel free to contact us:

**Technical Support and E-Warranty Certificate**  
**[www.vevor.com/support](http://www.vevor.com/support)**

This is the original instruction, please read all manual instructions carefully before operating. VEVOR reserves a clear interpretation of our user manual. The appearance of the product shall be subject to the product you received. Please forgive us that we won't inform you again if there are any technology or software updates on our product.



Warning-To reduce the risk of injury, user must read instructions manual carefully.



**FCC statement**

This device complies with Part 15 of the FCC Rules. Operation is subject to the following two conditions:(1)This device may not cause harmful interference, and (2)this device must accept any interference received, including interference that may cause undesired operation.



**CORRECT DISPOSAL**

This product is subject to the provision of European Directive 2012/19/EC. The symbol showing a wheelie bin crossed through indicates that the product requires separate refuse collection in the European Union. This applies to the product and all accessories marked with this symbol. Products marked as such may not be discarded with normal domestic waste, but must be taken to a collection point for recycling electrical and electronic devices

**WARNING:** In order to reduce the risk of fire or electric shock,

- Do Not Use This Fan With Any Solid-State Speed Control Device. Include instructions pertaining to a risk of fire, electric shock, or injury to persons, for cleaning and user-maintenance, such as lubrication.
- DO NOT operate any fan with a damaged cord or plug. Discard fan or return to an authorized service facility for examination and/or repair.
- DO NOT run cord under carpeting. Do not cover cord with throw rugs, runners, or similar coverings.
- DO NOT route cord under furniture or appliances. Arrange cord away from traffic area and where it will not be tripped over. Disconnect the appliance from the power supply before servicing.
- Regular Check: Have your wall fan checked regularly for any sign of malfunction! Stop using, Check if Plug, cord or appliance is damaged. Excessive noise, unpleasant odor or abnormal heat.

## SAFETY PRECAUTIONS

- This appliance is not intended for use by people( including children)with reduced physical, sensory or mental capabilities, or lack of experience and knowledge,unless they have been given supervision or instruction concerning the use of the appliance by person responsible for their safety.
- Children should be supervised to ensure that they do not play with the appliance.
- Have any repairs carried out solely by a qualified electrician. Never try to repair the appliance yourself.
- The duct fan shall not intended to be mounted in a duct to move heated air.
- Close supervision is necessary when any appliance is used by or near children.Children should be supervised to ensure that they do not play with the appliance.Cleaning and user maintenance shall not be done by children unless they are older than and supervised.
- Use the appliance only for intended household purposes as described in this User Manual. Any other use is not recommended that may cause fire electric shock, or injury to people.
- If the supply cord is damaged, it must be replaced by the manufacturer, its service agent or similarly qualified persons in order to avoid a hazard.

## IMPORTANT SAFETY INFORMATION

### Work area safety

- **Keep work area clean and well lit.**Cluttered or dark areas invite accidents.
- **Do not operate tools in explosive atmospheres,such as in the presence of flammable liquids,gases or dust.**Tools create sparks which may ignite the dust or fumes.
- **Keep children and bystanders away while operating a power**

**tool.**Distractions can cause you to lose control.

## **Electrical safety**

- **Tool plugs must match the outlet.Never modify the plug in any way.Do not use any adapter plugs with grounded tools.**Unmodified plugs and matching outlets will reduce risk of electric shock.
- **Avoid bod contact with grounded surfaces such as pipes,radiators,ranges and refrigerators.**There is an increased risk of electric shock if your body is grounded.
- **Do not expose tools to rain or wet conditions.**Water entering a tool will increase the risk of electric shock.
- **Do not abuse the cord.Never use the cord for carrying,pulling or unplugging the power tool.Keep cord away from heat,oil,sharp edges or moving parts.**Damaged or entangled cords increase the risk of electric shock.
- **When operating a tool outdoors,use an extension cord suitable for outdoor use.**Use of a cord suitable for outdoor use reduces the risk of electric shock.
- **If operating a tool in a damp location is unavoidable,use a Ground Fault Circuit Interrupter (GFCI) protected supply.**Use of GFCI reduces the risk of electric shock.

## **Personal safety**

- **Stay alert,watch what you are doing and use common sense when operating a tool.Do not use a tool while you are tired or under the influence of drugs,alcohol or medication.** A moment of inattention while operating tools may result in serious personal injury.
- **Use personal protective equipment.Always wear eye protection.**Safety equipment such as dust mask,non-skid safety shoes,hard hat, or hearing protection used for appropriate conditions will reduce personal injuries.
- **Prevent unintentional starting.Ensure the switch is in the off-position before connecting to power source,picking up or carrying the tool.** Carrying tools with your finger on the switch on

invites accidents.

- **Dress properly. Do not wear loose clothing or jewelry. Keep your hair, clothing and gloves away from moving parts.** Loose clothes, jewelry or long hair can be caught in moving parts.
- **Only use safety equipment that has been approved by an appropriate standards agency.** Unapproved safety equipment may not provide adequate protection. Eye protection must be ANSI-approved and breathing protection must be NIOSH-approved for the specific hazards in the work area.

## **Tool use and care**

- **Use the correct tool for your application.** The correct tool will do the job better and safer at the rate for which it was designed.
- **Do not use the tool if the switch does not turn it on and off.** Any tool that cannot be controlled with the switch is dangerous and must be repaired.
- **Disconnect the plug from the power source before making any adjustments, or storing tools.** Such preventive safety measures reduce the risk of starting the tool accidentally.
- **Store idle tools out of the reach of children and do not allow persons unfamiliar with the tool or these instructions to operate the tool.** Tools are dangerous in the hands of untrained users.
- **Maintain tools. Check for misalignment or binding of moving parts, breakage of parts and any other condition that may affect the tools operation. If damaged, have the tool repaired before use.** Many accidents are caused by poorly maintained tools.

## **Ventilator Safety Warnings**

- Connect to GFCI outlet only.
- Keep children away from ventilator. Small fingers can be inserted through grill.
- Do not use near flammable fumes or dust. Ventilator has internal arcing parts that will ignite flammable fumes/dust.
- Do not use without guard in place.

- To reduce the risk of fire or electric shock, do not use this Ventilator with any solid-state speed control device.
- Do not reposition the fan while in use.
- Unplug after use.
- Inspect before use; do not use if parts loose or damaged.
- Keep inlet and outlet clear during use.
- Do not allow paper, drapes or other types of loose material to be drawn into the inlet end of the unit. Stopping the free movement of air through the Ventilator will overheat the motor and cause fire.
- Maintain labels and nameplates on the tool. These carry important safety information. If unreadable or missing, contact Harbor Freight Tools for a replacement.
- Avoid unintentional starting. Prepare to begin work before tuning on the tool.
- This product is not a toy. Keep it out of reach of children.
- People with pacemakers should consult their physician(s) before use. Electromagnetic fields in close proximity to heart pacemaker could cause pacemaker interference or pacemaker failure. In addition, people with pacemakers should:
  - a. Avoid operating alone.
  - b. Do not use with power switch locked on.
  - c. Properly maintain and inspect to avoid electrical shock.
  - d. Properly ground power cord. Ground Fault Circuit Interrupter (GFCI) should also be implemented-it prevents sustained electrical shock.
- The warnings, precautions, and instructions discussed in this instruction manual cannot cover all possible conditions and situations that may occur. It must be understood by the operator that common sense and caution are factors which cannot be built into this product, but must be supplied by the operator.



## TOOL SET UP



### WARNING

#### **TO PREVENT SERIOUS INJURY FROM ACCIDENTAL OPERATION:**

**Turn the Power Switch of the tool off and unplug the tool from its electrical outlet before performing any procedure in this section.**

NOTE: For additional information regarding the parts listed in the following pages, refer to Parts List and Diagram.

### **Work piece and Work Area Set Up**

- Designate a work area that is clean and well-lit. The work area must not allow access by children or pets to prevent distraction and injury.
- There must not be drapes, paper or other forms of cloth nearby that could be pulled into the inlet part of the ventilator obstructing air flow.
- Route the power cord along a safe route to reach the work area without creating a tripping hazard or exposing the power cord to possible damage. The power cord must reach the work area with enough extra length to allow free movement while working.
- To reduce the risk of fire or electric shock, do not use this Ventilator with any solid-state speed control device.

### **General Operating Instructions**

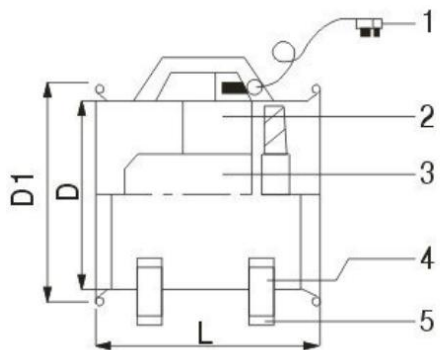
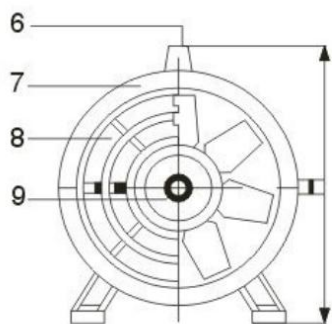


### WARNING

**Automatically Operated Device - To reduce the risk of injury disconnect from power supply before servicing. Ventilator may restart without warning after thermal shutoff.**

- Turn the fan on by moving the switch either to the right, or the left. The positions are noted next to the switch.
- To prevent accidents, turn off the ventilator and disconnect its power supply after use. Clean, then store the tool indoors out of children's reach.

## Casing size and mounting size



mm

Model	L	D1	D	H
BTF-25/10"	350	310	253	360
BTF-30/12"	380	375	303	430
BTF-40/16"	450	480	403	530

**Made In China**



**VEVOR**<sup>®</sup>

**TOUGH TOOLS, HALF PRICE**

**Technical Support and E-Warranty Certificate**

**[www.vevor.com/support](http://www.vevor.com/support)**