

VEVOR[®]

TOUGH TOOLS, HALF PRICE

Support and E-Warranty Certificate

www.vevor.com/support

HITCH CARGO CARRIER

USER MANUAL

MODEL: TYGJ0062

We continue to be committed to provide you tools with competitive price. "Save Half", "Half Price" or any other similar expressions used by us only represents an estimate of savings you might benefit from buying certain tools with us compared to the major top brands and does not necessarily mean to cover all categories of tools offered by us. You are kindly reminded to verify carefully when you are placing an order with us if you are actually saving half in comparison with the top major brands.

Model: TYGJ0062



NEED HELP? CONTACT US!

Have product questions? Need technical support? Please feel free to contact us:

✉ CustomerService@vevor.com

This is the original instruction, please read all manual instructions carefully before operating. VEVOR reserves a clear interpretation of our user manual. The appearance of the product shall be subject to the product you received. Please forgive us that we won't inform you again if there are any technology or software updates on our product.



Safety & Warning

- Read and understand this entire manual before assembling, installing, operating, or servicing this product. Failure to follow these warnings and instructions can cause death, personal injury or damage to valuable property.
- Adhere to all Department of Transportation (D.O.T.) requirements when using this product. Use ropes and tie downs (not included) to securely hold all cargo in place.
- For the vehicle that will support the Cargo Carrier, read all pertinent vehicle instructions and warnings provided in the owner's manual. Make sure the vehicle's engine is OFF, with parking brake set, before loading or unloading the Cargo Carrier.
- This Cargo Carrier must be attached to a 2"x2" Class III or Class IV hitch receiver. The hitch must be properly installed by a qualified service technician and be certified to support the weight of this Cargo Carrier and its contents (500 Lbs. capacity).
- Use as intended only. Do not modify the Carrier and do not use this product for purposes that it was not designed for.
- Do not overload the Cargo Carrier. Never exceed the maximum weight capacity of 500 Lbs.
- When assembly is complete, check and test all vehicle systems including lights and brakes; make sure no damage occurred during product installation.
- Frequently check the condition of the Cargo Carrier and the vehicle's hitch receiver. Make sure all components are in good condition. If the Cargo Carrier or hitch receiver become damaged through accident, or if any weld damage is noted, the product should be replaced. Check to make sure that all hardware is tightly secured in place. Keep the Cargo Carrier clean.
- Use common sense when working. Stay alert and concentrate when setting up and using the Cargo Carrier. Never work while under the influence of alcohol, drugs or medications.
- While assembling and using the Cargo Carrier keep work area clean

and well lighted. Keep spectators and children out of the work area.

- Dress appropriately. Never wear loose fitting clothing or jewelry when working. Contain long hair, and keep hair, clothing and gloves away from moving parts.
- Be aware of the danger of "dynamic loading". This situation arises when a load is dropped onto the Carrier, resulting in a short term excessive load. Dynamic loading can result in damage and failure of the Carrier and/or hitch receiver, and personal injury to the person loading the Carrier.
- Never load people or animals into the Cargo Carrier. Keep children and spectators well clear when loading and using this product.
- Weight inside the Cargo Carrier should be evenly distributed, with heavier items positioned towards the center of the Carrier.
- Note the position of the vehicle's exhaust pipes before setting up the Cargo Carrier. Make sure exhaust pipes are not in close proximity of the Cargo Carrier; flammable goods in the Cargo Carrier could catch on fire due to heat from the exhaust. If this risk exists on your vehicle, do not use the Cargo Carrier.
- Do not ride in vehicle being loaded or unloaded. Load and unload vehicle slowly, according to manual instructions.
- Do not use if carrier is higher than 12.5" from bottom of ramp.
- Do not exceed 55 MPH while the carrier is attached.
- Remove ramp and secure load before moving.
- This product is not a toy. Do not allow children to play with or near this item.
- Wear ANSI-approved safety goggles and heavy-duty work gloves during use. Prior to transporting a load, make sure the Ramp of the Carrier is in its upright position and locked in place with the Pins and Lock Pins.
- Both feet of the Carrier's Ramp must rest flat on a solid, level, and flat surface when loading and unloading an object.
- Maintain product labels and nameplates. These carry important safety information. If unreadable or missing, please contact the customer service team for help.

- Store the Carrier out of reach of children and do not allow people unfamiliar with the Carrier or these instructions to use the Carrier. Use of carrier by untrained people may not be safe.
- Maintain the Carrier. Check for misalignment or binding of moving parts, breakage of parts and any other condition that may affect the Carrier's operation. If damaged, have the Carrier repaired before use. Many accidents are caused by poorly maintained equipment.

Specifications

Model Series	TYGJ0062
Maximum Load Capacity (lbs)	500
Vehicle Hitch Receiver Size	2" x 2" Class III and IV Hitch Receivers
Cargo Basket Dimensions (mm)	1270×750×220
Hitch Pin	5/8" Diameter with Cotter Pin
Gross Weight(kg)	22.7
MEAS(mm)	1320×805×130

Package Contents

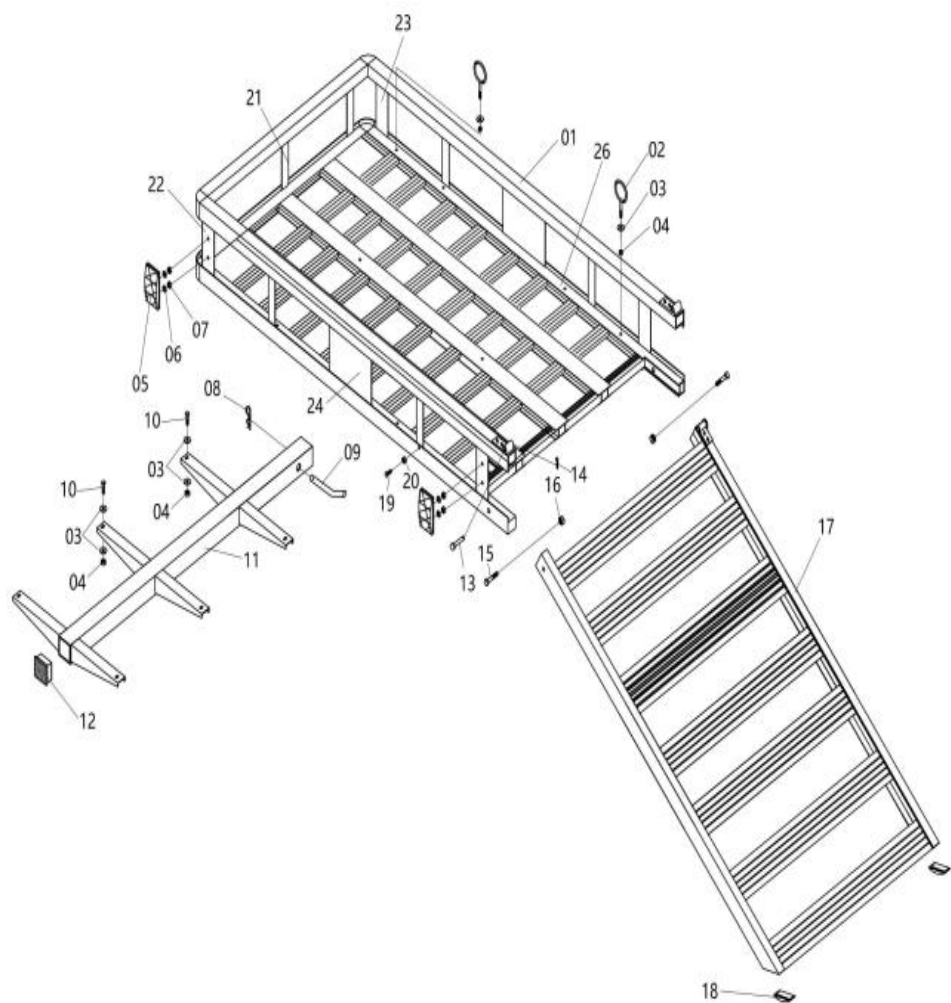


Figure 1

Part	Description	Qty
1	U-Brace	1
2	Tie Down Hook	4
3	Washer M6	16
4	Nut M6	10
5	Reflector	2
6	Spring Washer M5	4
7	Nut M5	4
8	Hitch Clip	1
9	Hitch Pin	1
10	Bolt M6x45	6
11	Hitch Bar	1
12	End Cap	1
13	Lock Pin	2
14	R-Pin	2
15	Bolt M8x60	2
16	Nut M8	2
17	Ramp	1
18	Foot Cap	2
19	Bolt M5x12	46
20	Nut M5	46
21	Small Support Plate	5
22	Plate with Reflector	2
23	Middle Support Plate	4
24	Large Support Plate	2
26	Main Frame	1

Installation Guide:

- A. Set main frame (26) on a flat secure work area able to support weight of Carrier.
- B. Use bolts (19) and Nuts (20) to connect all supports (21.22.23.24) main frame (26) . Note: Do not over-tighten bolts and make sure supports with reflector (5) are on the same side.
- C. Use the small bolts (19) and nuts (20) to connect the U-brace (1) to the top of the supports. Note: Make sure the ends of the U-brace face the open side.
- D. Tighten all bolts and nuts until the carrier bed frame is secure .
- E. With assistance, flip over the Carrier Bed frame and use Bolts (10) washers (3) and nuts (4) to fasten the hitch bar (11) to the carrier bed's underside. Note: Make sure the hitch bar extension is OPPOSITE the side of the bed with the reflectors. Make sure all Bolts are tightened securely.
- F. Use the washers (3) and nuts (4) to attach a Tie-Down Hook (2) to each corner of the carrier bed. Note: Make sure all bolts are tightened securely.
- G. Use bolts (15) and lock nuts (16) to attach ramp (17) to open side of the carrier bed. Note: Do not over-tighten connections. There should be enough give to allow ramp to pivot freely.
- H. Swing the ramp up, and use the lock pins (13) and R-Pins (14) to lock the ramp in upright position.
- I. With assistance, lift carrier up and insert hitch bar into vehicle's receiver hitch. Align hole in hitch bar with hole in vehicle's receiver hitch.
- J. Insert hitch pin (9) through holes in both hitches and fasten in place using hitch lock pin (8).

VEVOR[®]

TOUGH TOOLS, HALF PRICE

Support and E-Warranty Certificate

www.vevor.com/support

Made In China