

VEVOR[®]

TOUGH TOOLS, HALF PRICE

Technical Support and E-Warranty Certificate www.vevor.com/support

TIRE BEAD BREAKER

MODEL: HKB1040A/HKB1040B

We continue to be committed to provide you tools with competitive price.

"Save Half", "Half Price" or any other similar expressions used by us only represents an estimate of savings you might benefit from buying certain tools with us compared to the major top brands and does not necessarily mean to cover all categories of tools offered by us. You are kindly reminded to verify carefully when you are placing an order with us if you are actually saving half in comparison with the top major brands.

VEVOR®

TOUGH TOOLS, HALF PRICE

TIRE BEAD BREAKER

MODEL:HKB1040A/HKB1040B



NEED HELP? CONTACT US!

Have product questions? Need technical support? Please feel free to contact us:

 CustomerService@vevor.com

This is the original instruction, please read all manual instructions carefully before operating. VEVOR reserves a clear interpretation of our user manual. The appearance of the product shall be subject to the product you received. Please forgive us that we won't inform you again if there are any technology or software updates on our product.

SPECIFICATIONS

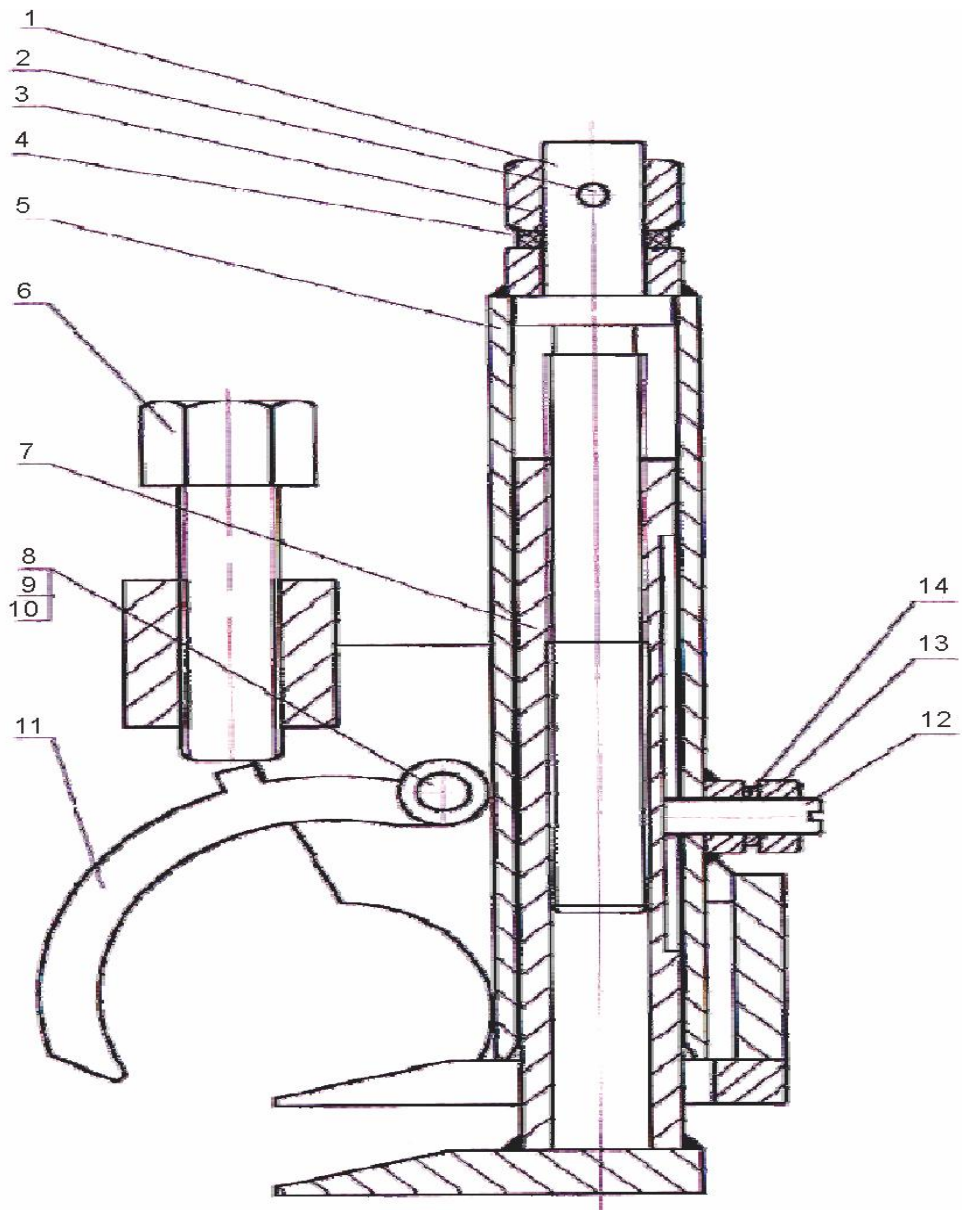
Model	Fit Tire Diameter (inch)	Net Weight (kg)	Gross Weight (kg)	Package Size (mm)
HKB1040A	Less Than 42	5	5.5	290×125×165
HKB1040B	Less Than 42	6	6.5	290×125×165



Safety & Warning

- Read and understand this entire manual before assembling, installing, operating, or servicing this product. Failure to follow these warnings and instructions can cause death, personal injury or damage to valuable property.
- DO NOT use impact wrench as it will damage the bead breaker.
- Before and after each use, check to make sure that all hardware is tightly secured. Regularly inspect for damage. If fraying or distortion is found, immediately discontinue use.
Use common sense when working. Stay alert and concentrate when setting up and using the tire bead breaker. Never work while under the influence of alcohol, drugs or medications.
- While assembling and using the tire bead breaker keep work area clean and well lighted. Keep spectators and children out of the work area.
- Dress appropriately. Never wear loose fitting clothing or jewelry when working. Contain long hair, and keep hair, clothing and gloves away from moving parts.

PARTS BREAKDOWN



PARTS LISTING

Item No.	Description	Qty.	Item No.	Description	Qty.
1	Long Screw	1	8	Spindle	1
2	Elastic Pin	1	9	Washer	1
3	Hex Nut	1	10	Cotter Pin	1
4	Washer	1	11	Hook	1
5	Bush Ass'y	1	12	Bolt	1
6	Short Screw	1	13	Hex Nut	1
7	Claw Ass'y	1	14	Elastic Washer	1

OPERATION

Tools required: adjustable wrench, open end wrench, or air ratchet.

* DO NOT use impact wrench as it will damage the bead breaker.



1. Place bead breaker onto the rim with teeth and breaker foot between rim & tire bead.



Step 2

2. Tighten rim clamp jaw until “snug” with hand wrench. Make sure bead breaker teeth and foot are against bead.



Steps 3 & 4

3. Continue tightening with wrench until snug. Do NOT over tighten!
4. Using the wrench, begin turning the bead breaker nut clockwise. This will begin driving the bead breaker foot downward.



5. Continue to turn clockwise until bead is broken loose from rim. If necessary, Repeat this process in 2 to 3 locations on each side of the wheel until entire bead is broken.

Address: Baoshanqu Shuangchenglu 803long 11hao 1602A-1609shi
Shanghai

Imported to AUS: SIHAO PTY LTD, 1 ROKEVA STREETEASTWOOD
NSW 2122 Australia

Imported to USA: VEVOR STORE INC, 9448 RINCHMOND PL #E
RANCHO CUCAMONGA, California, 91730 United States of America

UK	REP
-----------	------------

Pooledas Group Ltd
Unit 5 Albert Edward House, The Pavilions
Preston, United Kingdom

EC	REP
-----------	------------

SHUNSHUN GmbH
Römeräcker 9 Z2021, 76351
Linkenheim-Hochstetten, Germany

Made In China

VEVOR[®]

TOUGH TOOLS, HALF PRICE

Technical Support and E-Warranty Certificate

www.vevor.com/support

Made In China