

# **VEVOR<sup>®</sup>**

**TOUGH TOOLS, HALF PRICE**

Technical Support and E-Warranty Certificate <https://www.vevor.com/support>

## **ELECTRIC SPIN SCRUBBERS USER MANUAL**

We continue to be committed to provide you tools with competitive price.

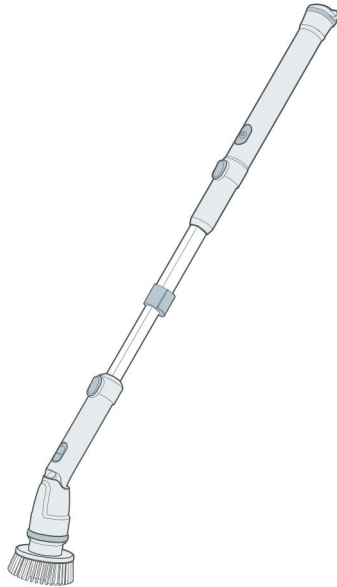
"Save Half", "Half Price" or any other similar expressions used by us only represents an estimate of savings you might benefit from buying certain tools with us compared to the major top brands and does not necessarily mean to cover all categories of tools offered by us. You are kindly reminded to verify carefully when you are placing an order with us if you are actually saving half in comparison with the top major brands.

# VEVOR®

TOUGH TOOLS, HALF PRICE

Electric Spin Scrubbers

MODEL NO.: KS-2627



## NEED HELP? CONTACT US!

Have product questions? Need technical support? Please feel free to contact us:

 [CustomerService@vevor.com](mailto:CustomerService@vevor.com)

This is the original instruction, please read all manual instructions carefully before operating. VEVOR reserves a clear interpretation of our user manual. The appearance of the product shall be subject to the product you received. Please forgive us that we won't inform you again if there are any technology or software updates on our product.

# IMPORTANT SAFETY INSTRUCTIONS

## WARNING:

**Please read this manual carefully before using the product. Failure to do so may result in serious injury. SAVE THIS MANUAL**

When using an electrical appliance, especially when children are present, basic safety precautions should always be followed, including the following:

1. Make sure that the spin scrubber is well-assembled before use.
2. This appliance is not intended for use by persons (including children) with reduced physical, sensory or mental capabilities, or lack of experience and knowledge, unless they have been given supervision or instruction concerning the use of the appliance by person responsible for their safety.
3. To protect against the risk of electric shock, do not immerse the scrubber in water or other liquid. Do not charge battery if it is wet or shows signs of corrosion.
4. If the cord is damaged, it must be replaced by the manufacturer or its service agent or similarly qualified person in order to avoid a hazard.
5. DO NOT store or use the appliance near explosive and flammable objects or liquids.
6. DO NOT disassemble, repair or modify internal parts by yourself, please contact us if you have quality problems.
7. DO NOT disassemble, repair, or try to open the battery. When charging, keep away from hot or flammable objects
8. DO NOT use other brush heads than the ones recommended by the manufacturer.
9. Use ONLY the provided power adapter.
10. Always use proper eye protection when using the power scrubber with irritating substances. Rubber gloves are also recommended.
11. Keep the hair, cloth or other parts of your body away from the brush head to avoid convolving
12. Use the appliance only for intended household purposes as described

in this User Manual.

## **BATTERY AND CHARGING SAFETY INSTRUCTIONS**

1. It is recommend that charge, use or store the cleaning brush between 5°C to 35°C temperature;
2. Because the product contains lithium batteries and this product has a waterroof design, it is prohibited to disassemble the product without permission;
3. If the casing is broken, stop using it immediately and do not recharge it;
4. When charging, keep away from heat sources or easily combustible objects;
5. As the product contains batteries. do not incinerate this product. Burning the product may cause an exolosion;
6. When cleaning or repairing, make sure that the product is in a non-charging state;
7. Do not charge in wet conditions;
8. Please insert the waterproof cover into the charging port besides charging for a better waterproof or longer using life;
9. Make sure that the charging port and charging cable are dry before charging, otherwise it will cause a short circuit hazard;
10. Be sure to connect the power supply with its rated voltage, otherwise it will cause electric shock or fre;
11. Do not plug and unplug the power adapter and charging cable with wet hands, otherwise it will cause electric shock;
12. Do not drop or insert foreign objects into the charging port, otherwise it will cause electric shock or short circuit and damage the product;
13. If you do not use it for a long time, please unplug the power adapter and charoing cable. otherwise it wil cause electric shock or electrica fre due to the deterioration of insulation performance;
14. If the product is planing not used for a long time, it needs to be fully charged and stored, and then it needs to be fuly charged by every six months;
15. For safety, please do not charge the product unattended for a ong time,

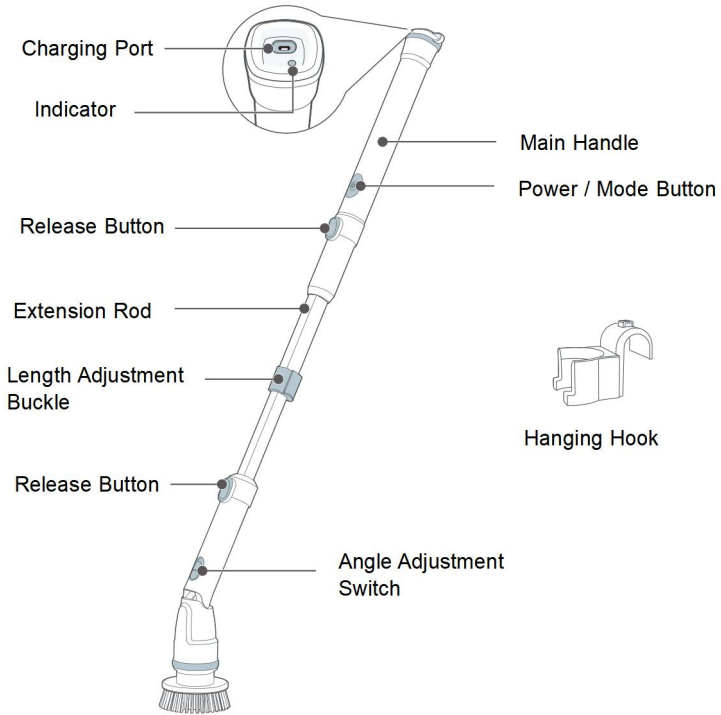
the longest charging time cannot exceed 24 hours.

## **SAVE THESE INSTRUCTIONS**

### **TECHNICAL SPECIFICATIONS**

Model	KS-2627
Main Material	ABS
Color	White
Product Dimensions(LxWxH)	69*69*1190 mm
Packing Size(LxWxH)	412*160*142 mm
Net Weight (kg)	1.29
Gross Weight (kg)	1.58
Waterproof Level	IPX7
Charging Time	4.5±0.5 hours
Charging Method	Type-C
Battery Capacity	2500mAh Li-ion Battery
Rated Working Voltage	DC 9V
Power	14.8W

# PRODUCT ELEMENTS



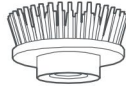
## Brush Heads



Corner Brush \*1



Small Flat Brush \*1

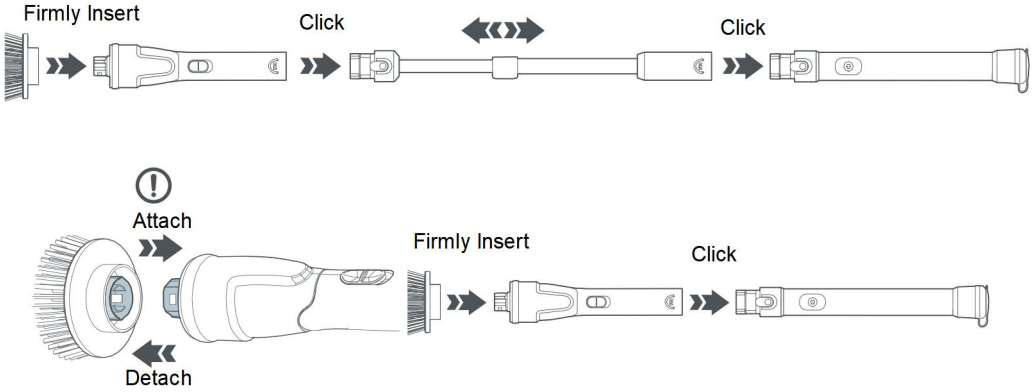


Large Flat Brush \*1

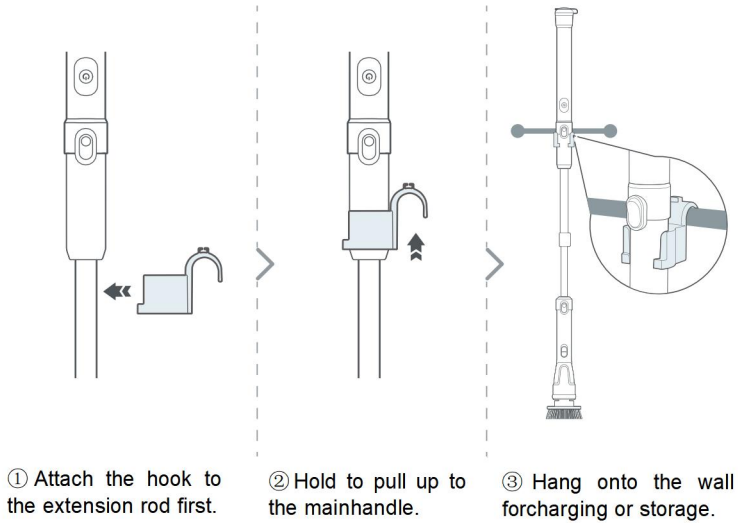


Dome Brush \*1

# ASSEMBLY STEPS



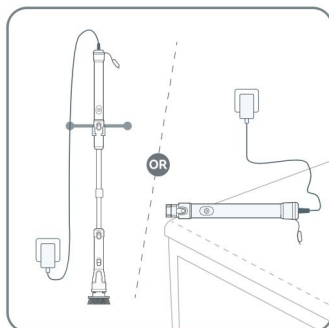
## INSTALLING HOOK



# USING YOUR SPIN SCRUBBER



- We highly recommend that you fully charge the spin scrubber before first use. Use only the provided power adapter.
- Allow the scrubber to rest after continuous working for 30 minutes.

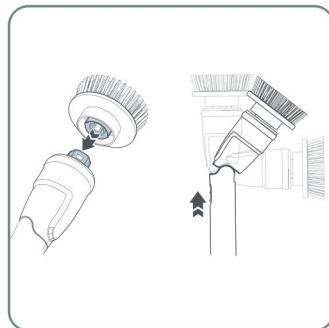


①

## Hanging or Charging Separately

Connect to the electric outlet with the included power adapter. It takes about 4 hours for a full charge.

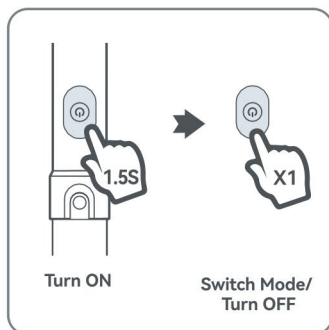
- Flashing Red > Charging / Battery Low
- Solid Green > Fully Charged / Running
- Flashing Green > Overload Protection



②

## Attaching Brush Head

Firmly insert your desired brush head into place. Slide the switch to adjust angle to your needs.



③

## Power ON/Switching Mode

Hold Power button for 1.5s to turn ON (Low by default)  
Press once again to switch to High mode. Press a third time to turn OFF



# GETTING MOST FROM SPIN SCRUBBER



## Hang it off the floor after using

To extend the lifespan of brush heads, it is recommended to hang the scrubber with hook after using.



## Clean with detergent.

For better cleaning effect, clean with detergent (such as mold & mildew removers, water stain removers, all-purpose cleaner) for different needs.



## Soak stubborn stains.

To easily remove stubborn stains, soak stains in water and detergent for a while before cleaning.



## Soak stubborn stains.

To easily remove stubborn stains, soak stains in water and detergent for a while before cleaning.



## Regularly replace brush head.

Replace your brush head regularly to achieve optimal results. Contact us for replacement brush head.



## Use of Accessories:



### Corner Brush

For corners, edges, tight places, even wheels



### Large Flat Brush

For large flat surfaces, like tiles, glass or window



### Small Flat Brush

For narrow flat surfaces, like stove or counter

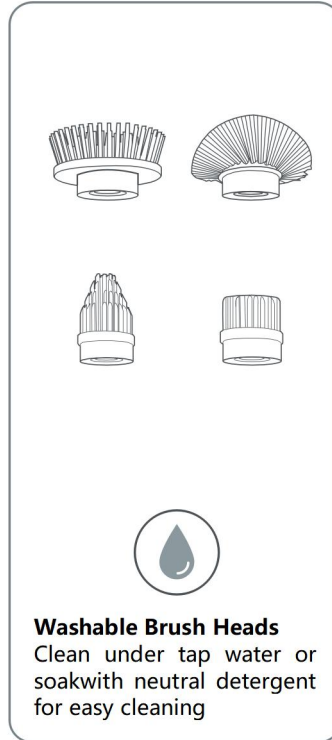
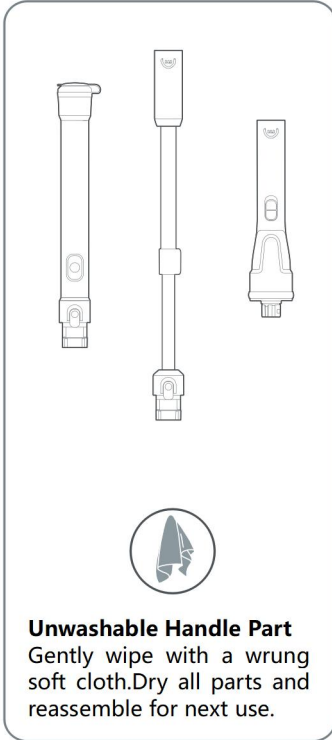


### Dome Brush

Concave cleaning brush for bathtub or sink

# CARE AND CLEANING

- Never immerse the handle part in water
- Store the scrubber in a ventilated and shady place. Avoid placing it in a damp place or being exposed to strong sunlight.
- If you are not going to use the scrubber for an extended period of time, fully charge it and charge at least once every three months.



# TROUBLESHOOTING

**Q: My spin scrubber does not work or stops spinning suddenly**

A: ● Check if the spin scrubber is charging. It cannot work when charging.

- If the indicator keeps flashing red, the spin scrubber may run out of battery or battery low. Charge it promptly
- If the indicator keeps flashing green, the overload protection is triggered and the scrubber stops spinning automatically. Hold the Power button to turn it back on.
- You may press the brush head too hard and the scrubber stops spinning automatically. To return to normal status, hold the Power button to turn it back on.

**Q: The battery of my spin scrubber is draining quickly.**

A: ● Make sure the spin scrubber is fully charged with the included power adapter.

- Do not press the brush head too hard. It cannot last long when strong force is applied.
- Select Low working mode for light-duty cleaning to save power.

**Q: My spin scrubber seems less powerful.**

A: ● You may need to fully charge the spin scrubber.

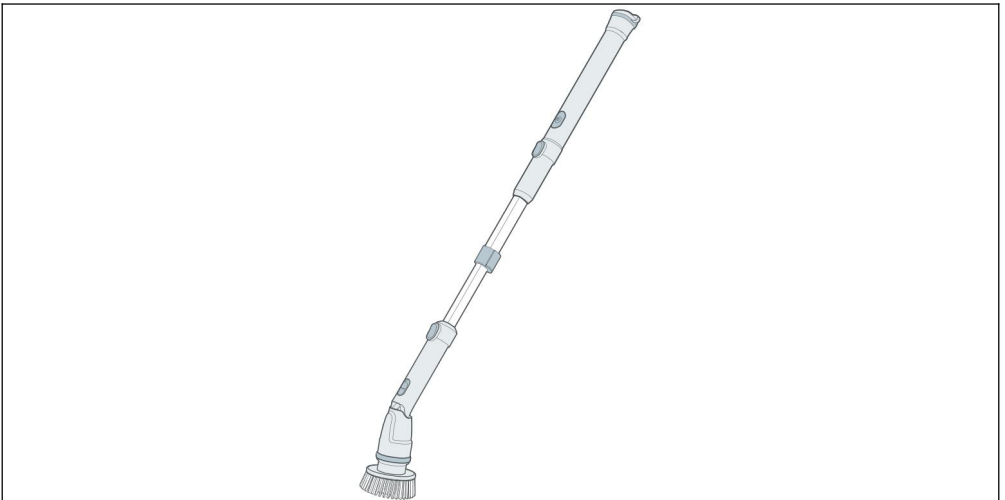
- Select High working mode by pressing the Power button.

**Q: My spin scrubber does not charge.**

A: ● Make sure the spin scrubber is properly charged with the original power adapter.

- Outlet is not working. Try a different outlet to fully charge the spin scrubber.

# COMPLETION



**Address:** Baoshanqu Shuangchenglu 803long 11hao 1602A-1609shi Shanghai

**Imported to USA:** VEVOR STORE INC, 9448 RINCHMOND PL #E  
RANCHO CUCAMONGA, California, 91730 United States of America



SHUNSHUN GmbH  
Römeräcker 9 Z2021,76351  
Linkenheim-Hochstetten,Germany



Pooledas Group Ltd  
Unit 5 Albert Edward House, The Pavilions  
Preston, United Kingdom

**VEVOR**<sup>®</sup>

**TOUGH TOOLS, HALF PRICE**

**Support and E-Warranty Certificate**

**[www.vevor.com/support](http://www.vevor.com/support)**

