

# **VEVOR<sup>®</sup>**

**TOUGH TOOLS, HALF PRICE**

Technical Support and E-Warranty Certificate [www.vevor.com/support](http://www.vevor.com/support)

## **HEDGE TRIMMER INSTRUCTION MANUAL**

We continue to be committed to provide you tools with competitive price.

"Save Half", "Half Price" or any other similar expressions used by us only represents an estimate of savings you might benefit from buying certain tools with us compared to the major top brands and does not necessarily mean to cover all categories of tools offered by us. You are kindly reminded to verify carefully when you are placing an order with us if you are actually saving half in comparison with the top major brands.



# VEVOR®

TOUGH TOOLS, HALF PRICE

## Cordless Hedge Trimmer

MODEL:ET1611



### NEED HELP? CONTACT US!

Have product questions? Need technical support? Please feel free to contact us:

 [CustomerService@vevor.com](mailto:CustomerService@vevor.com)

This is the original instruction, please read all manual instructions carefully before operating. VEVOR reserves a clear interpretation of our user manual. The appearance of the product shall be subject to the product you received. Please forgive us that we won't inform you again if there are any technology or software updates on our product.

**Please read this instruction manual carefully before using the tool**  
**And SAVE THIS INSTRUCTION**

### 1. Symbol explanation:



Read the instruction manual completely and carefully before using the power tool.



This marking indicates that this product should not be disposed of with other household wastes. Follow the disposal instructions within this instruction manual.



**WARNING!**

The following warning symbols are displayed on the appliance to remind you of the safety precautions you should take when operating it.



**WARNING!**

Keep bystanders away from the electric hedge trimmer.



With this symbol the manufacturer confirms that this power tool is in accordance with applicable European directives.



Do not expose to rain.



**Be careful!**



Wear personal protective equipment. Always wear safety glasses or a face shield, hearing protection and safety helmet.



Caution: Very danger because of electronic shock! Keep it away at least 10m from Transmission lines.



Wear protective gloves.



Wear safety footwear.



The sound power level indicates by LWA in dB.



Sharp blade can cut limbs

### TECHNICAL DATA

Model	ET1611
Voltage	20VDC
No load speed	1200 /min
Cutting length	410mm
Blade gap	16mm
Battery type	Lithium-ion
Battery capacity	2.0 Ah
Charging time	Approx. 4 hours

## INTENDED USE

Your hedge trimmer has been designed for trimming hedges, shrubs and brambles, not to be used for any other purpose. This tool is intended for consumer use only. Your charger has been designed for charging batteries of the type supplied with this tool, **DO NOT ALLOWED TO CHARGE OTHER BATTERIES.**

## SAFETY INSTRUCTIONS



### Know your tool

- **Warning!** Carefully observe the instructions in this manual to reduce the risk of personal injury or material damage.
- Read all of this manual carefully before operating the tool.
- Before operating the tool , make sure that you know how to switch the tool off in an emergency .
- Retain this manual for future reference .

## General Safety Rules



**WARNING!** Read all instructions, failure to follow all instructions listed below may result in electric shock, fire and/or serious injury. The term “power tool” in all of the warnings listed below refers to your battery operated (cordless) power tool.

SAVE THESE INSTRUCTIONS

### 1) Work area



- Keep work area clean and well lit.** Cluttered and dark areas invite injuries.
- Do not operate power tools in explosive atmospheres, such as in the presence of flammable liquids, gases or dust.** Power tools create sparks which may ignite the dust or fumes.
- Keep children and bystanders away while operating a power tool.**

Distractions can cause you to lose control.

### 2) Electrical safety



**a) Avoid body contact with earthed or grounded surfaces such as pipes, radiators, ranges and refrigerators.** There is an increased risk of electric shock if your body is earthed or grounded.

**b) Do not expose power tools to rain or wet conditions.** Water entering a power tool will increase the risk of electric shock.

### 3) Personal safety



**a) Stay alert, watch what you are doing and use common sense when operating a power tool. Do not use a power tool while your tired or under the influence of drugs, alcohol or medication.** A moment of inattention while operating power tools may result in serious personal injury.

**b) Use safety equipment. Always wear eye protection.** Safety equipment such as dust mask, non-skid safety shoes, hard hat, or hearing protection used for appropriate conditions will reduce personal injuries.

**c) Avoid accidental starting. Ensure the switch is in the off position before plugging in.** Carrying power tools with your finger on the switch or plugging in power tools that have the switch on invites accidents.

**d) Remove any adjusting key or wrench before turning the power tool on.** A wrench or a key left attached to a rotating part of the power tool may result in personal injury.

**e) Do not overreach. Keep proper footing and balance at all times.** This enables better control of the power tool in unexpected situations.

**f) Dress properly. Do not wear loose clothing or jewellery. Keep your hair, clothing and gloves away from moving parts.** Loose clothes, jewellery or long hair can be caught in moving parts.

**g) If devices are provided for the connection of dust extraction and collection facilities, ensure these are connected and properly used.** Use of these devices can reduce dust related hazards.

#### 4) Power tools use and care



**a) Do not force the power tool. Use the correct power tool for your application.**

The correct power tool will do the job better and safer at the rate for which it was designed.

**b) Do not use the power tool if the switch does not turn it on and off.** Any power tool that cannot be controlled with the switch is dangerous and must be repaired.

**c) Disconnect the plug from the power source before making any adjustments, changing accessories, or storing power tools.** Such preventive safety measures reduce the risk of starting the power tool accidentally.

**d) Store idle power tools out of the reach of children and do not allow persons unfamiliar with the power tool or these instructions to operate the power tool.**

Power tools are dangerous in the hands of untrained users.

**e) Maintain power tools. Check for misalignment or binding of moving parts, breakage of parts and any other condition that may affect the power tools operation. If damaged, have the power tool repaired before use.** Many accidents are caused by poorly maintained power tools.

**f) Keep cutting tools sharp and clean.** Properly maintained cutting tools with sharp cutting edges are less likely to bind and are easier to control.

**g) Use the power tool, accessories and tool bits etc., in accordance with these instructions and in the manner intended for the particular type of power tool, taking into account the working conditions and the work to be performed.** Use of the power tool for operations different from intended could result in a hazardous situation.

#### 5) Battery tool use and care

**a) Ensure the switch is in the off position before inserting battery pack.** *Inserting the battery pack into power tools that have the switch on invites accidents.*

**b) Recharge only with the charger specified by the manufacturer.** *A charger that is suitable for one type of battery pack may create a risk of fire when used with another battery pack.*

**c) Use power tools only with specifically designated battery packs.** *Use of any other battery packs may create a risk of injury and fire.*



d) **When battery pack is not in use, keep it away from other metal objects like paper clips, coins, keys, nails, screws, or other small metal objects that can make a connection from one terminal to another. Shorting the battery terminals together may cause burns or a fire.**

e) **Under abusive conditions, liquid may be ejected from the battery; avoid contact. If contact accidentally occurs, flush with water. If liquid contacts eyes, additionally seek medical help. Liquid ejected from the battery may cause irritation or burns.**

## 6) Service

a) **Have your power tool serviced by a qualified repair person using only identical replacement parts. This will ensure that the safety of the power tool is maintained.**

## **Additional safety instructions for battery and charger**

### **Battery**

- Never attempt to open for any reason
- Do not expose to water
- Do not incinerate the battery pack even if it is severely damaged or is completely worn out. The battery pack can explode in a fire.
- Do not store in locations where the temperature may exceed 40°C
- Do not leave the battery pack in the charger when the charging is finished, otherwise battery leakage may occur.
- Charge only at room temperature.
- Charge only at using the charger provided with the tool (see technical data)
- Before charging , make sure that the battery is dry and clean.
- Use only the correct type of battery for the tool(see technical data).
- When dispose of batteries follow the instructions given in the section "protecting the environment".
- Under extreme conditions ,battery leakage may occur .When you notice liquid on the battery, proceed as follows:
  - Carefully wipe the liquid off using a cloth. Avoid skin contact.
  - In case of skin or eye contact, follow the instructions below.

The battery fluid, a 25-30% solution of potassium hydroxide, can be harmful. In case of skin contact, immediately rinse with water. Neutralize with a mild acid such

as lemon juice or vinegar. In case of eye contact, rinse abundantly with clean water for at least 10 minutes. Consult a physician.



**NOTE: The batteries in your battery pack are the Lithium-Ion type. Do not dispose of battery packs/batteries into household waste, fire or water. Battery packs/batteries should be collected, recycled or disposed of in an environmental-friendly manner.**

### **Charger**

· **Charger's plug must match the outlet. Never modify the plug in any way.**

Unmodified plugs and matching outlets will reduce risk of electric shock.

· Use your charger only to charge batteries of the type supplied with your tool.

Other batteries could burst, causing personal injury and damage.

· Only 2 battery packs is allowed to be charged continuously in order to prevent overheating of charger, necessary rest time is required to let the charger cool down before further charging.

· When charging is finished, unplug the charger from mains socket outlet and take away the battery pack from the charger, do not leave the battery pack in the charger.

· Never carry the charger by its cord or pull it to disconnect from the socket. Keep the cord away from heat, oil and sharp edges.

· Never attempt to charge non-rechargeable batteries.

· The cord of charger is not changeable, do not continue to use if the cord is damaged.

· Do not expose to water or rain, do not use in wet condition.

· Do not open the charger.

· Do not probe the charger.

· Intended for indoor use only

### **Additional safety instructions for hedge trimmers**

Wear safety goggles when operating this tool.

Wear gloves when operating this tool.

Do not expose the tool to rain or high humidity.

· **THIS TOOL CAN CAUSE SERIOUS INJURIES.** Read instructions carefully for the correct handling, preparation, maintenance, starting and stopping of the tool.

Be familiar with all controls and proper use of the tool;

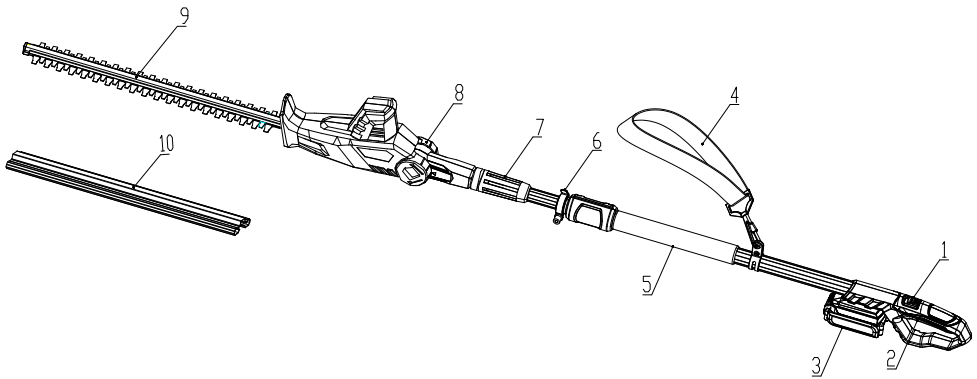
- Only use the tool in daylight or good artificial light.
- Never allow children to use the tool.
- Beware of overhead power lines.
- Avoid operating while people, especially children are nearby.
- Dress properly! Do not wear loose clothing or jewellery which can be caught in moving parts. Use of sturdy gloves, non-skid footwear, and safety glasses is recommended.
- If the tool stalls, immediately switch it off. Remove the battery before attempting to remove any obstructions.
- Remove the battery before checking, maintenance or working on the tool;
- While operating the tool be always sure of a safe and secure operating position especially when using steps or a ladder;
- Do not attempt to repair the tool;
- Do not operate the tool with a damaged or excessively worn cutting device;
- Always wear ear protection, goggle and helmet during operating;
- Always ensure that all guards are fitted when using the tool. Never attempt to use an incomplete tool or a tool with unauthorized modifications;
- Always use two hands to operate the tool;
- When transporting or storing the tool always fit the blade sheath.
- Always be aware of your surroundings and stay alert for possible hazards that you may not hear due to the noise of the tool;
- Do not carry the tool with your hands on the switch unless the battery has been removed .
- If you have not used a hedge trimmer before, preferably seek practical instruction by an experienced user in addition to studying this manual.
- Never touch the blades while the tool is running .
- Never attempt to force the blades to come to a standstill.
- Do not put the tool down until the blade have come to a complete standstill .
- Regularly check the blades for damage and wear . Do not use the machine when the blades are damaged.
- Take care to avoid hard objects (e.g. metal wire, railings)when trimming. Should you accidentally hit any such object immediately switch the tool off and check for any damage.

- Should the tool start to vibrate abnormally, immediately switch it off and check for any damage.
- Always be aware of falling debris when cutting the higher sides of a hedge.
- Be aware of the cutting blade, always wear gloves to protect your hands from cut.
- When the machine is working, the hand don't exceed guard (7) or come into contact with blade (9), See Fig A
- When the machine is working, do not adjust the angle of the head

## ELECTRICAL SAFETY

Your charger has designed for a specific mains voltage. Always check that the mains voltage corresponds to the voltage on the rating plate.

## OVERVIEW (Fig.A)

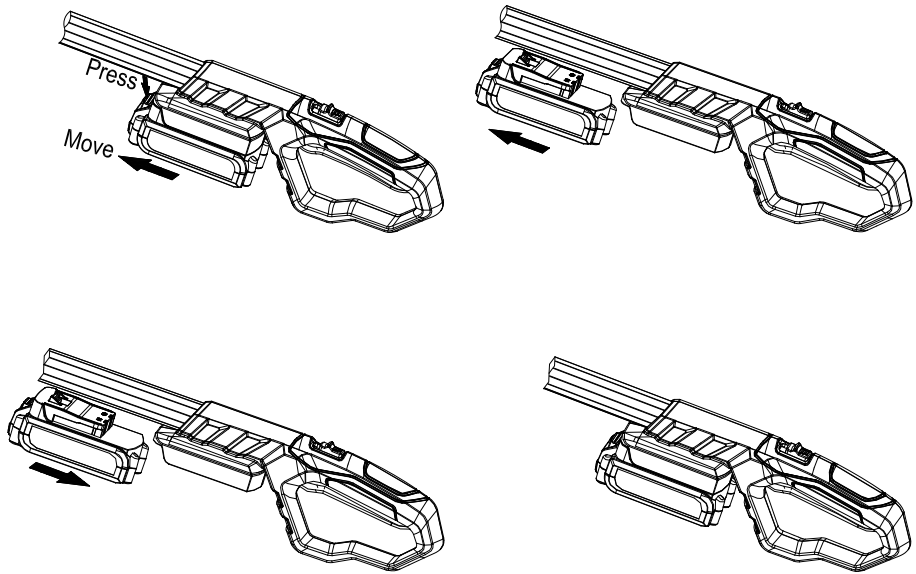


**Fig.A**

- |                    |                       |                 |
|--------------------|-----------------------|-----------------|
| 1. Lock-off button | 2. Main switch handle | 3. Battery pack |
| 4. Strap Guard     | 5. Sponge             | 6. Locker       |
| 7. Lock nut        | 8. lock button        | 9. Blade        |
| 10. Blade sheath   |                       |                 |

## ASSEMBLY

**Warning!** Before assembly, remove the battery pack from the tool.



**Fig.B**

### **Fitting and removing the battery (Fig.B)**

Your hedge trimmer is equipped with a battery pack, which powers the unit.

#### **To fit battery pack**

1. Place battery pack in your hedge trimmer. Align raised rib on battery pack with groove inside hedge trimmer. See Fig B.
2. Make sure the latches on each side of your battery pack snap in place and battery pack secured in hedge trimmer before beginning operation.

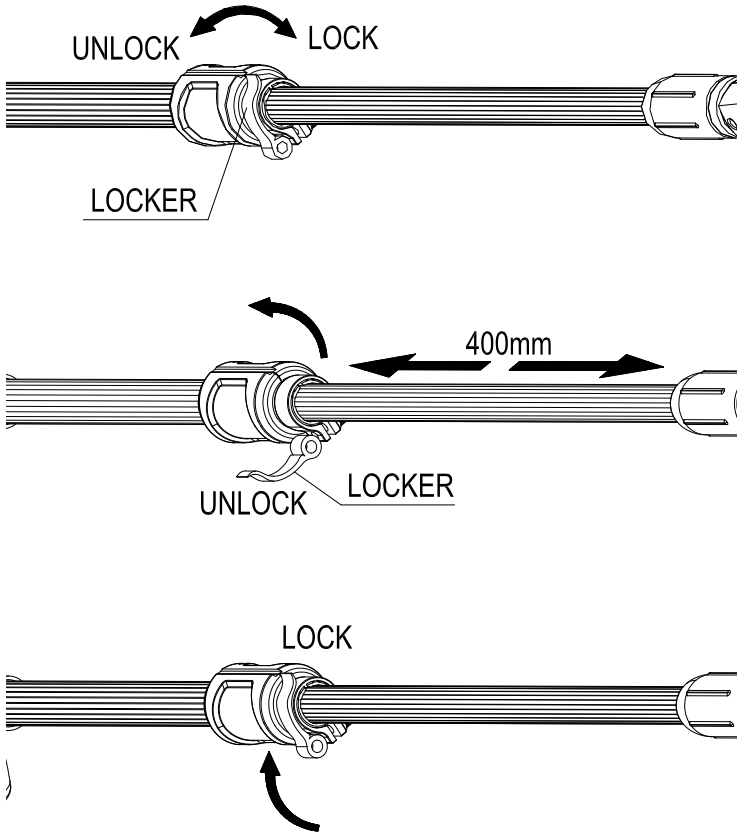
#### **To remove battery pack**

1. Locate latches on end of battery pack and depress to release battery pack from your hedge trimmer.
2. Remove battery pack from your hedge trimmer. See Fig B.

### **To Adjust the length (Fig.C)**

Your hedge trimmer adjust the length about 0-400mm

1. Turn locker to Unlock ,then adjust the length.
2. Turn locker to lock.



**Fig.C**

### **The Head assembly**

1. When inserted, the convex would have to target the concave, and must be inserted fully. Turn the lock nut to lock, and must be locked fully. as shown in Fig D

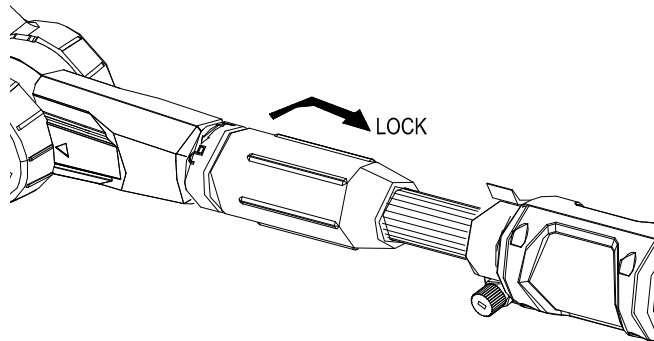
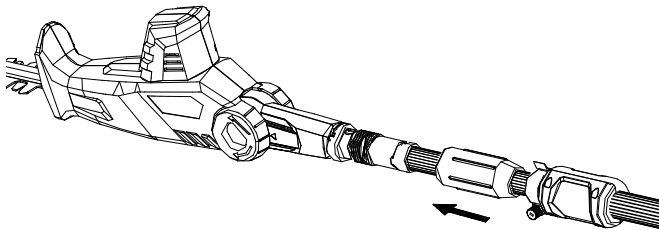
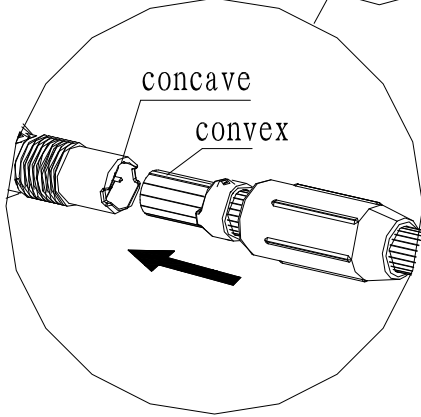
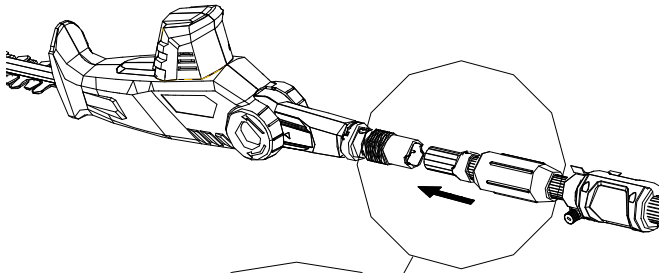


Fig D

2. When remove, turn locker to unlock, then pull the handle. as shown in Fig E

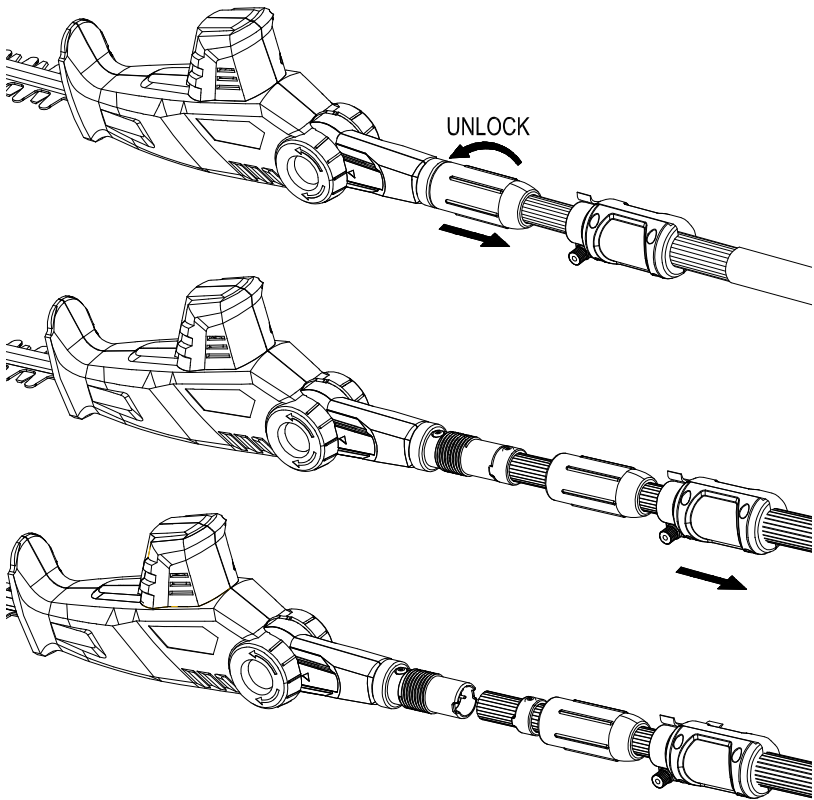


Fig E

## Operation

**Do not overload.**

### 1. Turn the swivel handle to suitable position

Push the lock button (8) and then turn the swivel handle to the desired position. Release the lock button (8) again and check whether the button is locked in place.

**NOTE:** The swivel handle can be locked in five positions (-60°, -30°, 0°, 30°, 60°), See **Fig F**.



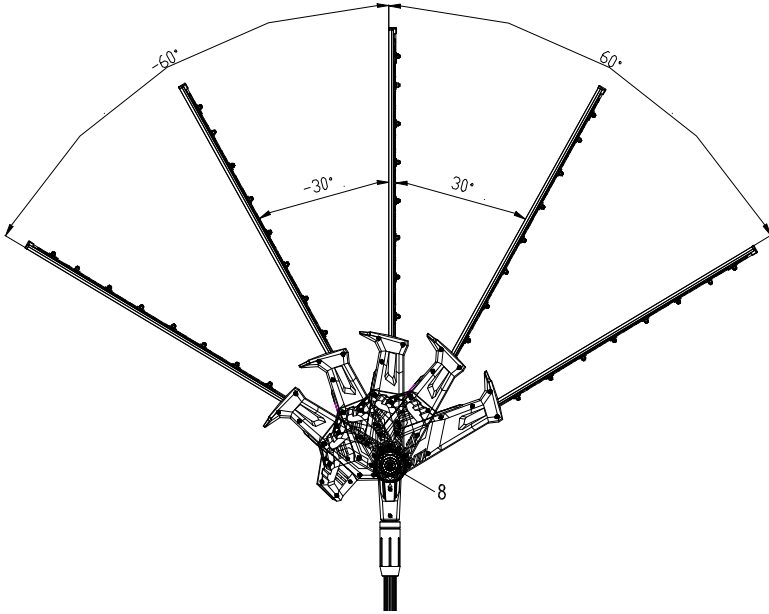


fig.F

- 2. Remove the Blade sheath (10)
- 3. SWITCH ON AND OFF (Fig. G)

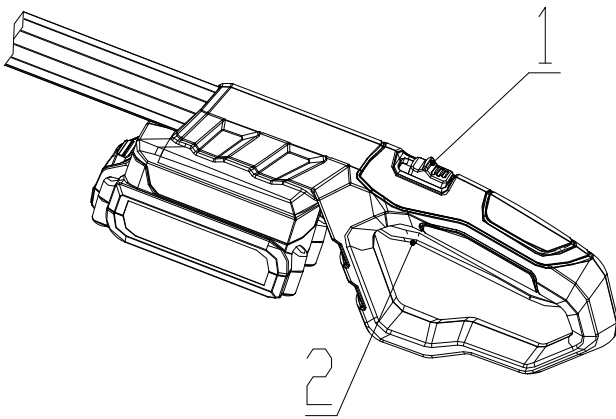


Fig.G

For your safety, this tool is equipped with a double switch system. This system prevents starting the tool inadvertently. You must push the Lock-off button (1), and then press the Main switch handle (2).

### **Switching on**

- Push the Lock-off button (1).
- Press the Main switch handle (2) and release the Lock-off button (1).

### **Switching off**

- Release the Main switch handle (2).

**NOTE! Never attempt to lock the switch in the “on” position.**



### **WARNING:**

Always keep both hands on the hedge trimmer handles. Never hold shrubs with one hand and operate hedge trimmer with the other. Failure to heed this warning can result in serious injury.



### **WARNING:**

Clear the area to be cut before each use. Remove all objects such as cords, lights, wire, or loose string which can become entangled in the cutting blade and create a risk of serious personal injury.

When operating the hedge trimmer, keep the extension cord behind the trimmer. Never drape it over the hedge being trimmed.

Do not force the hedge trimmer through heavy shrubbery. This can cause the blades to bind and slow down. If the blades slow down, reduce the pace.

Do not attempt to cut stems or twig that are larger than 3/4 in. thick, or those obviously too large to feed into the cutting blade. Use a non-powered hand saw or pruning saw to trim large stems.

If blades do become jammed, stop the motor, allow the blades to stop, and disconnect the plug from the power source before attempting to remove the obstruction.

If desired, you can use a string to help cut your hedge level. Decide how high you want the hedge. Stretch a piece of string along the hedge at the desired height. Trim the hedge just above the guide line of string. Trim the side of a hedge so that it will be slightly narrower at the top. More of the hedge will be exposed when shaped this way, and it will be more uniform.

Wear gloves when trimming thorny or prickly growth. When trimming new growth, use a wide sweeping action, so that the stems are fed directly into the cutting blade. Older growth will have thicker stems and will be trimmed easiest by using a sawing movement.

### OPERATING THE HEDGE TRIMMER (Fig H )



#### **WARNING:**

Read the safety information for safe operation using the blade. Extreme care must be taken when using blades to ensure safe operation. Refer to Important Safety Instructions and Specific Safety Rules.

Hold unit firmly with both hands. Always keep your left hand on the telescopic pole and your right hand on the rear handle. The unit is used for cutting in either direction in a slow, sweeping action from side to side.

Stand so that you are stable and balanced on both feet. Inspect and clear the area of any hidden objects.

To protect yourself from electrocution, do not operate within 50 feet of overhead electrical lines.

Never use the hedge trimmer near power lines, fencing, posts, buildings, or other immovable objects.

Never use a blade after hitting a hard object without first inspecting it for damage. Do not use if any damage is detected.



Fig H

## **·CHARGING THE BATTERY ( Fig. I )**

The battery needs to be charged before first use and whenever it fails to produce sufficient power on jobs that were easily done before. When charging the battery for the first time, or after prolonged storage, it will only accept an 80% charge. After several charge and discharge cycles, the battery will attain full capacity. The battery may become warm while charging, this is normal and does not indicate a problem .

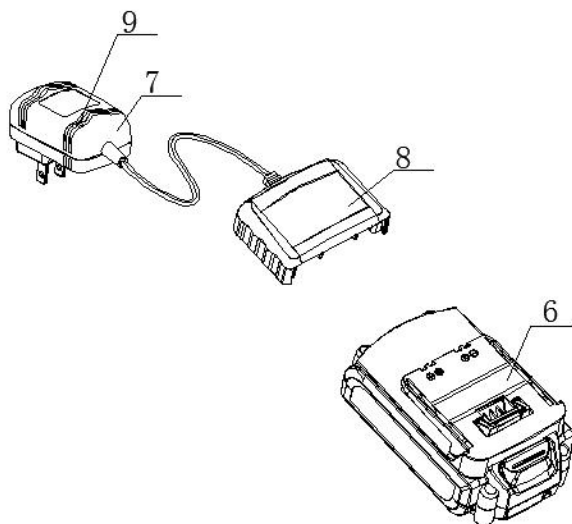
Remove it from the tool and insert it into the charge station (8). The battery pack will only fit into the charge in one way. Do not force .Be sure that battery is fully seated in the charger.

Your battery can be charged in the 4-5 hours charger supplied. Be sure to read all safety instructions before using your charger. This product is not user serviceable. There are no user serviceable parts inside the charger. Servicing at an authorized service center is required to avoid damage to static sensitive internal components.

Read all of the instructions in the battery charger section of this manual before attempting to charge the battery pack for your tool. Always use correct battery pack (pack supplied with tool or replacement pack exactly like it). Never install any other battery pack, it will ruin your tool and may create a hazard.

### **1 .Charging procedure**

These chargers require no adjustment and are designed to be as easy as possible to operate. Simply place your battery pack into the receptacle of a plugged in charger and it will automatically charge the pack.



**Fig. 1**

- (1). Connect the charger 7 to the charger station 8.
- (2). Plug the charger into an appropriate AC power outlet. The LED 9 lights green to tell you that the charger is ready for use.
- (3). Insert the charger station 8 into the battery pack 6, as shown in Fig 17, making sure the charger station is fully seated in the battery pack. The LED 9 lights red to tell you that the battery pack is on charge.

**Attention! It can not be charged if charging the battery immediately after using the machine. The battery pack should be cooling for a period of time. The LED 9 lights from green to red means it can be charged.**

- (4). The battery pack will be fully charged in about 4 hours. And the LED 9 lights green again to tell you that the battery pack is fully charged.





**VEVOR**<sup>®</sup>  
TOUGH TOOLS, HALF PRICE

Technical Support and E-Warranty Certificate  
[www.vevor.com/support](http://www.vevor.com/support)