

VEVOR[®]

TOUGH TOOLS, HALF PRICE

Technical Support and E-Warranty Certificate

www.vevor.com/support

INSTANT GARAGE

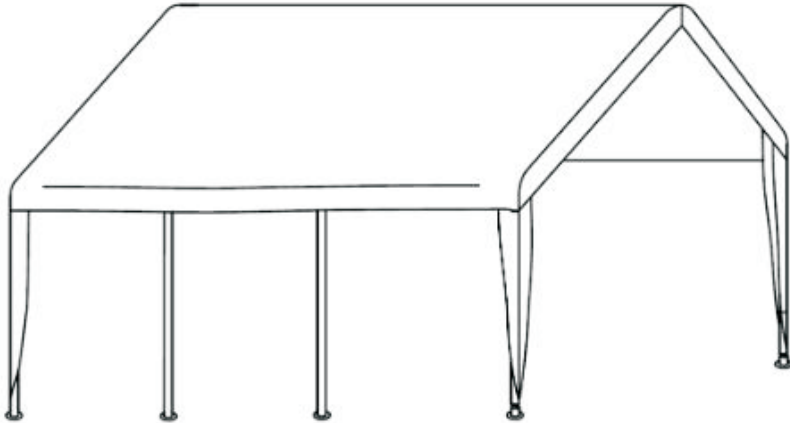
USER MANUAL

We continue to be committed to offering tools at competitive prices. "Save Half", "Half Price", or any other similar expressions used by us only represent an estimate of savings you might benefit from buying certain tools with us compared to the major top brands and do not necessarily mean to cover all categories of tools offered by us. You are kindly reminded to verify carefully when placing an order with us if you are saving half in comparison with the top major brands.

VEVOR[®]

INSTANT GARAGE

MODEL:HCP1020



NEED HELP? CONTACT US!

Have product questions? Need technical support? Please feel free to contact us:

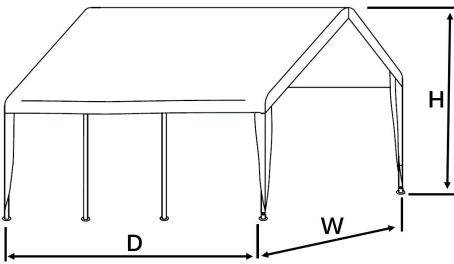
 CustomerService@vevor.com

This is the original instruction, please read all manual instructions carefully before operating. VEVOR reserves a clear interpretation of our user manual. The appearance of the product shall be subject to the product you received. Please forgive us that we won't inform you again if there are any technology or software updates on our product.

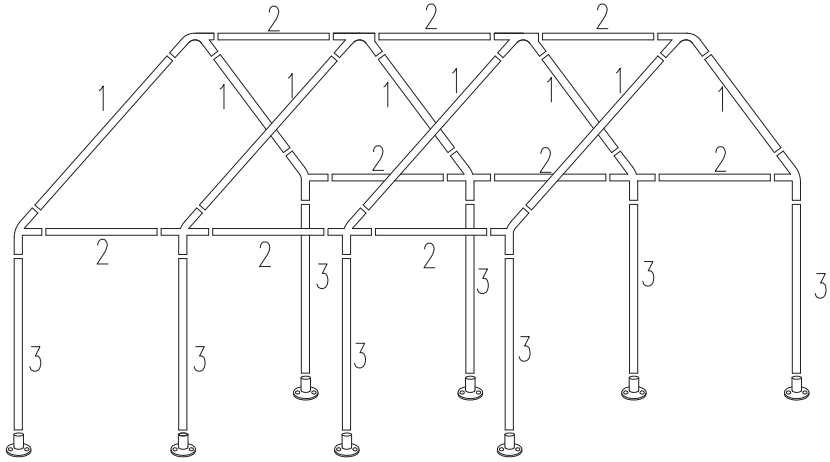
SAFETY INSTRUCTIONS












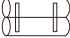



1. The instant garage needs to be installed on the smooth grass.
2. It is recommended to wear gloves during assembly.
3. You may need to use a ladder during assembly. Please pay attention to safety.
4. If any part of the product is damaged, please do not use it.
5. Do not stand or sit on top of the instant garage.
6. Do not smoke or use open flame devices in and around the instant garage to avoid fire.
7. It is requested to anchor with the heavy stuff or sandbag (the heavier the better), if 7 grade or above strong wind occurs, it is strongly requested not to use the products and need to put away the product.
8. It is not recommended to use it in snowy conditions.
9. Assemble in strict accordance with the instructions, and use rope, anchor, and other accessories in the assembly process.

MODEL AND PARAMETERS

Appearance	Color	Size (W*D*H)	Net Weight
	White or Gray	10*20*9.3feet	120lbs

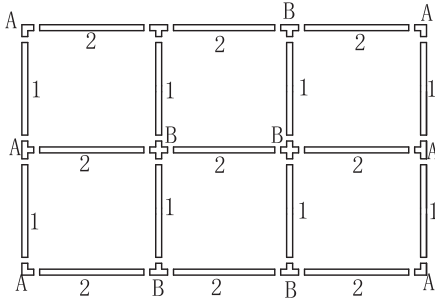
COMPONENTS



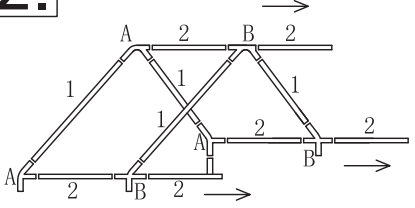
1		Steel Pipe	8pcs			Bungee Cord	40+4pcs
2		Steel Pipe	9pcs			M6x50mm Screw	8pcs
3		Steel Pipe	8pcs			Top Cover	1pc
A		3-way Corner Connector	6pcs			Spanner	2pcs
B		4-way Corner Connector	6pcs			Gloves	2pcs
C		Foot Plate	8pcs			Sandbag	4 pcs
		Ground Peg	24pcs				
		Anchor	8 pcs				
		Rope	8 pcs				

1.

Find out (A,B,1,2)parts,and place them according to the position of the parts in the picture.



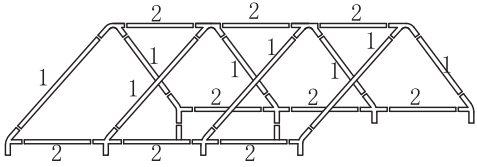
2.



Assemble the Steel Pipe(1,2) to the 3-way Corner Connector(A) and 4-way Corner Connector(B)

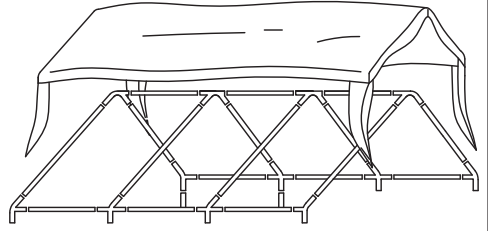
3.

Assemble the rest of Steel Pipe (1,2) according to the previous steps



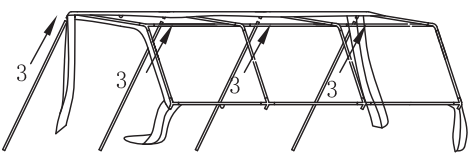
4.

Put the Top Cover on the top frame.



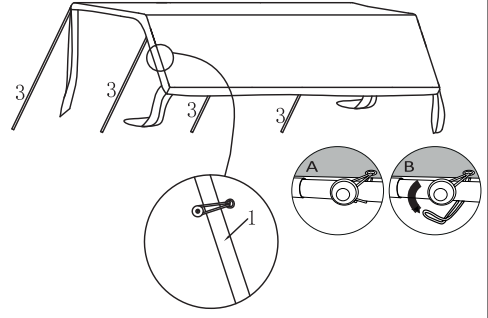
5.

Assemble a Steel Pipe(3) to each end of every Connector(A,B).



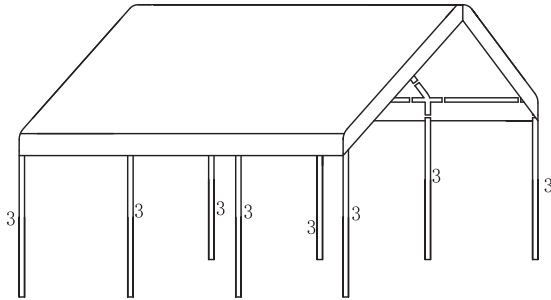
6.

Assemble the Cover to the Steel Pipe(1) with the Bungee Cord

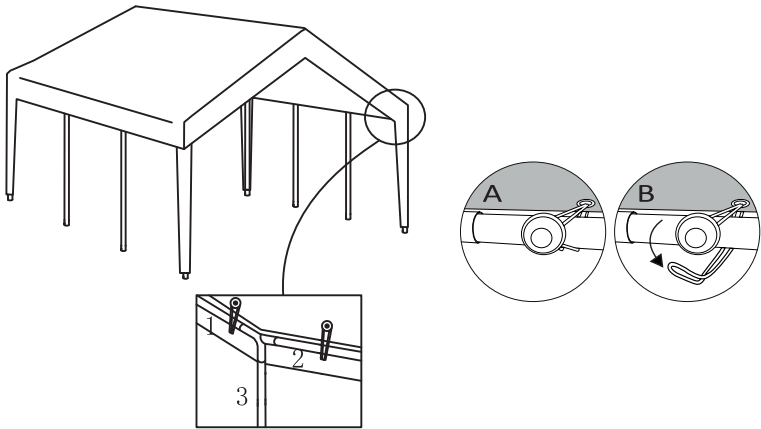


7.

Assemble a Steel Pipe(3) to each end of every Connector(A,B).

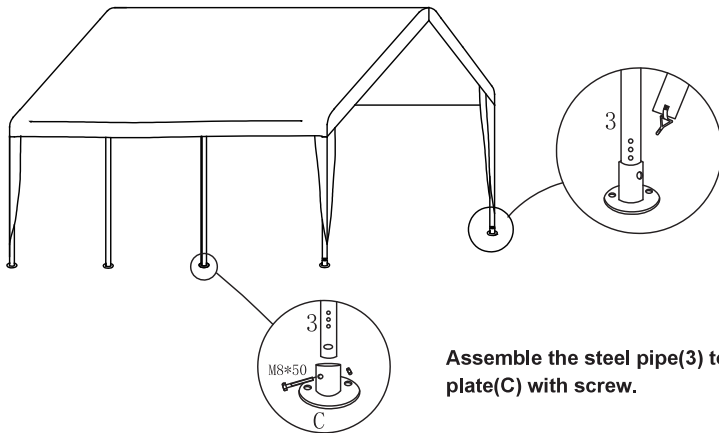


8.



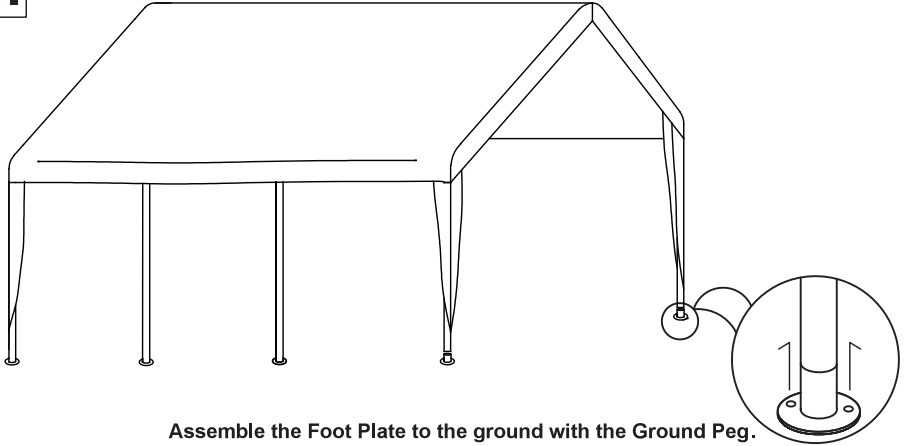
Assemble Top Cover to the Steel frame with the Bungee Cords.

9.



Assemble the steel pipe(3) to the foot plate(C) with screw.

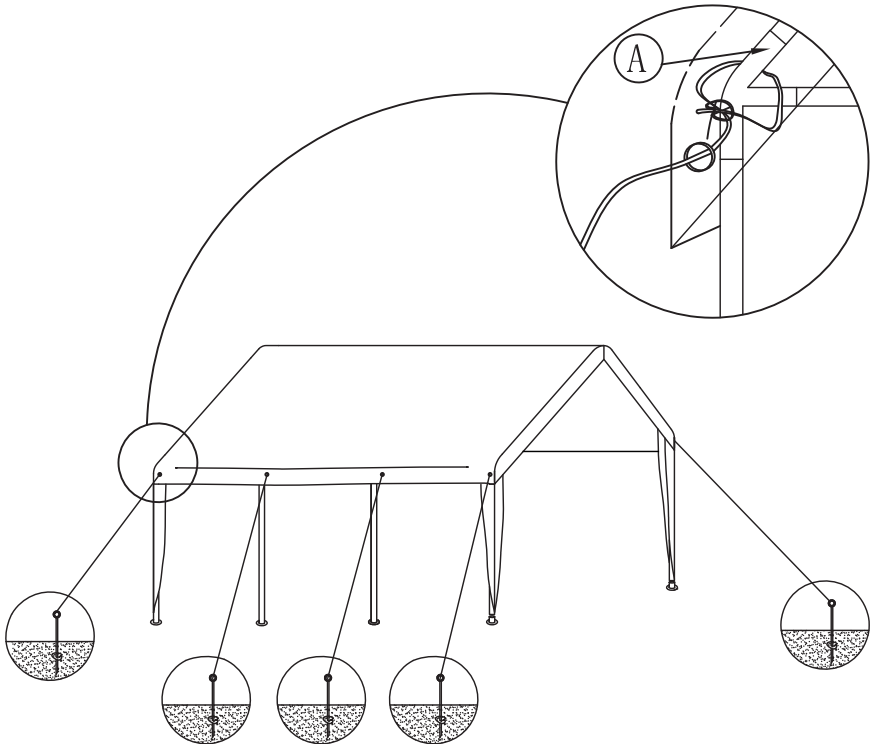
10.



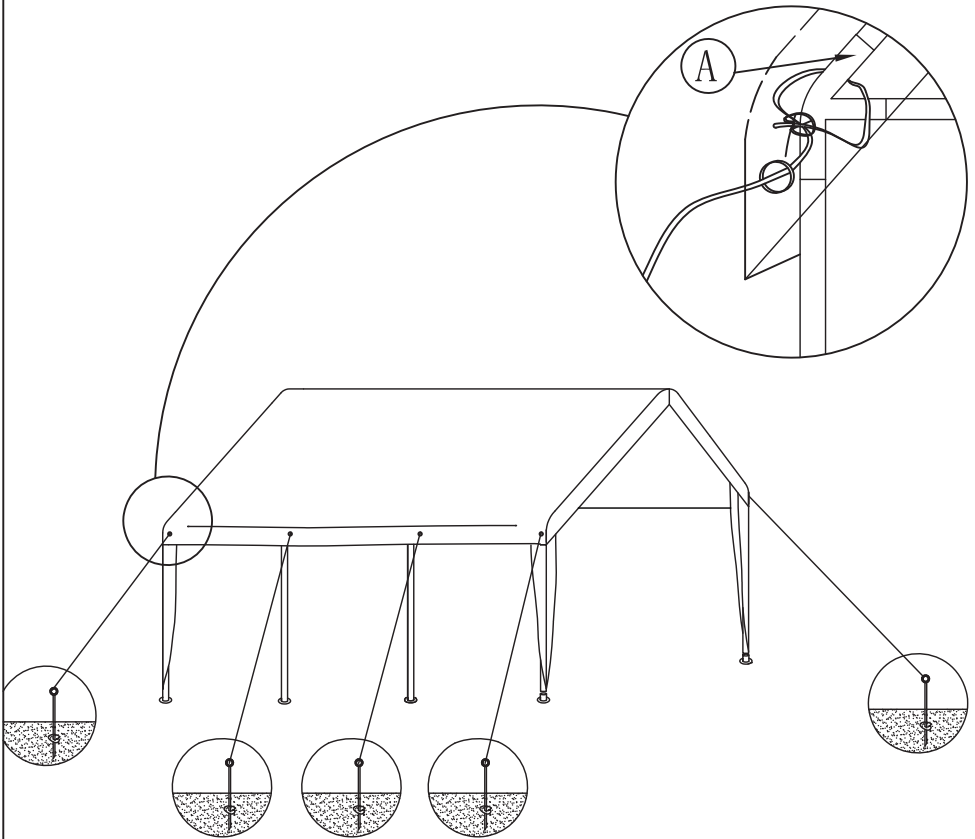
Assemble the Foot Plate to the ground with the Ground Peg.

11.

One end of the Rope needs to be passing through the gap in the side of Top Cover and tied to the 3-way CornerConnector(A). The other end needs tied to the Anchor. And then insert the Anchor into the ground.



12.



Fixed and tightened the 8pcs ropes ,and then the 4pcs sandbags filled with sand or soil tied in the four corners of the leg tubes.

Note: 4pcs sandbags are only standard reinforced accessories can not withstand high winds, If you need to fix it more firmly you need to press the remaining 4 legs in the center with heavy weights. According to the local bad weather conditions require users to increase the weight of the 8pcs leg tubes appropriately.

Cleaning and Maintenance

1. If there is snow or ice on the top of the instant garage, please clear it in time.
2. It is recommended to clean the surface of the instant garage regularly with mild soap and water.

Sanven Technology Ltd.

Address: Suite 250, 9166 Anaheim Place, Rancho Cucamonga, CA 91730

VEVOR[®]

TOUGH TOOLS, HALF PRICE

Technical Support and E-Warranty Certificate

www.vevor.com/support