

VEVOR[®]

TOUGH TOOLS, HALF PRICE

Support and E-Warranty Certificate

<https://www.vevor.com/support>

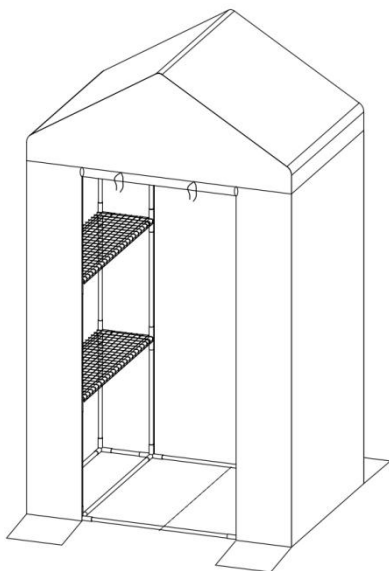
WALK-IN GREENHOUSE CANOPY USER MANUAL

We continue to be committed to provide you tools with competitive price. "Save Half", "Half Price" or any other similar expressions used by us only represents an estimate of savings you might benefit from buying certain tools with us compared to the major top brands and does not necessarily mean to cover all categories of tools offered by us. You are kindly reminded to verify carefully when you are placing an order with us if you are actually saving half in comparison with the top major brands.

VEVOR®

Walk-in Greenhouse Canopy

MODEL NO.: zw_0113



NEED HELP? CONTACT US!

Have product questions? Need technical support? Please feel free to contact us:

✉ CustomerService@vevor.com

This is the original instruction, please read all manual instructions carefully before operating. VEVOR reserves a clear interpretation of our user manual. The appearance of the product shall be subject to the product you received. Please forgive us that we won't inform you again if there are any technology or software updates on our product.

ASSEMBLY PRECAUTIONS

1. Please follow these instructions to assemble. Incorrect assembly can be a hazard.
2. Wear safety goggles and heavy-duty work gloves during assembly.
3. Do not assemble when tired or when under the influence of alcohol, drugs, or medication.
4. Weight capacity and other product capabilities apply to a properly and completely assembled product only.

USE PRECAUTIONS

1. This product is not a toy. Do not allow children to play with or approach this item.
2. Use as intended only. Do not sit or stand on the table.
3. Inspect before every use. Do not use it if parts are loose or damaged.
4. Use only on flat, level, and hard surfaces.
5. Do not exceed listed the weight capacity. Tighten all knobs securely before applying load. Be aware of dynamic loading! The sudden load movement may briefly create an excess load, causing product failure.












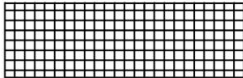
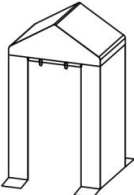
ASSEMBLY INSTRUCTIONS

For additional information regarding the parts listed in the following pages, refer to the Assembly Diagram of this manual. Unwrap and separate all parts in a clear work area.

TECHNICAL SPECIFICATIONS

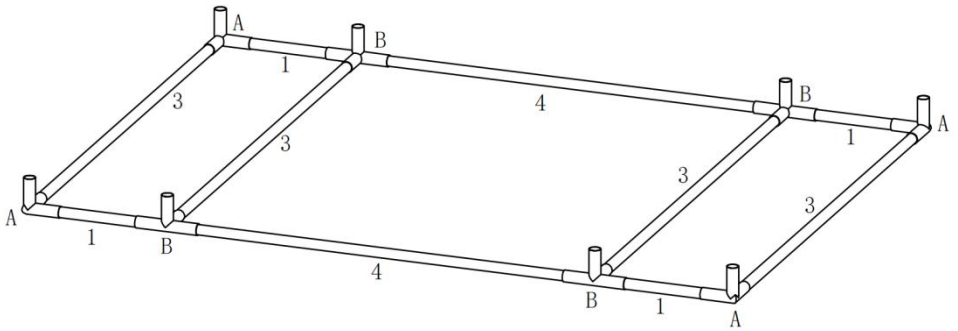
Model	zw_0113
Main Material	Steel + PE fabric
Color	Transparent green
Product Dimensions (LxWxH mm)	1410*745*2050
Packing Size (LxWxH mm)	940*300*135
Net Weight (kg)	7
Gross Weight (kg)	8.7

PACKAGE CONTENTS

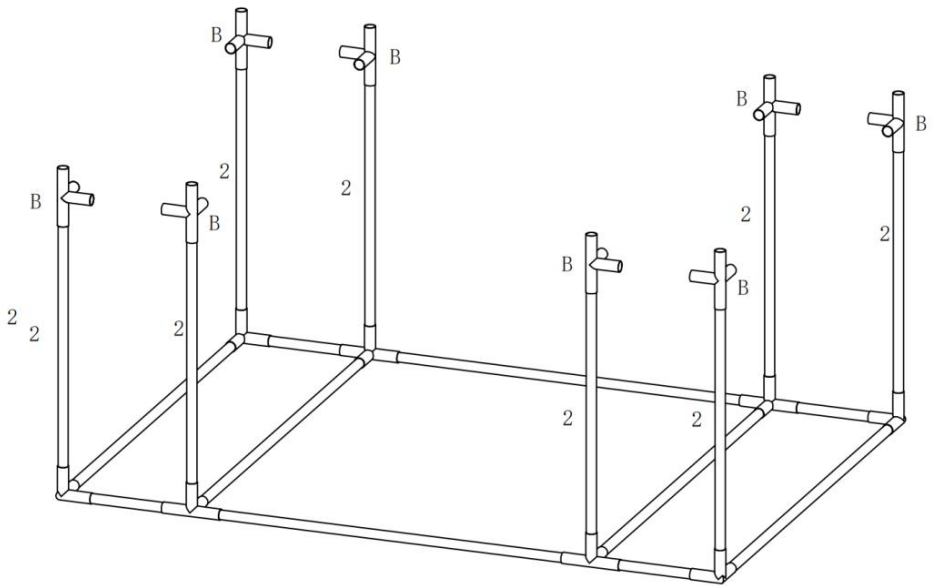
1		16x
2		16x
3		14x
4		4x
5		2x
6		2x
7		1x
8		4x
A		4x
B		24x
C		4x
		4x
		1x

ASSEMBLY STEPS

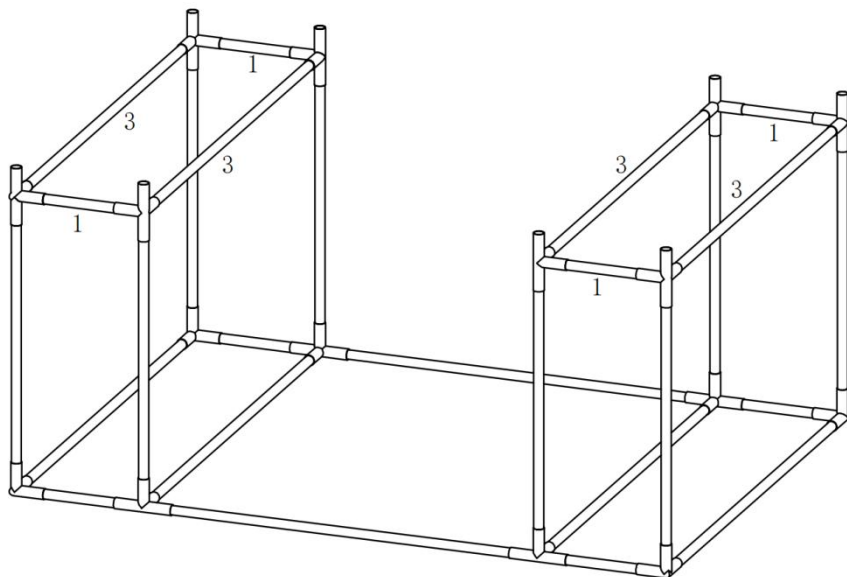
SETP1



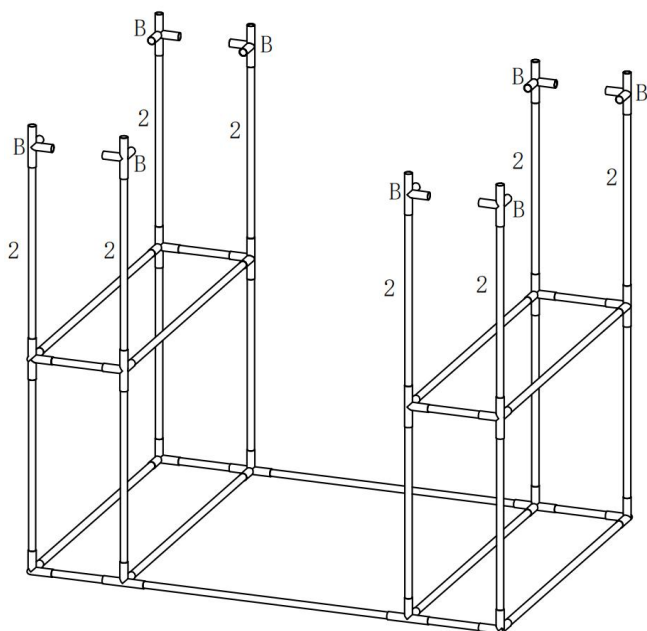
SETP2



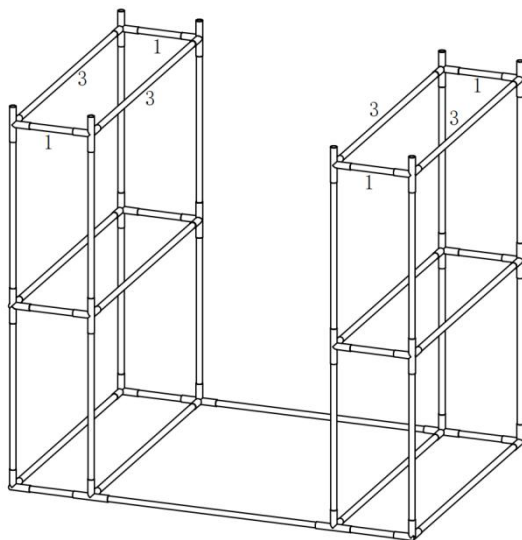
SETP3



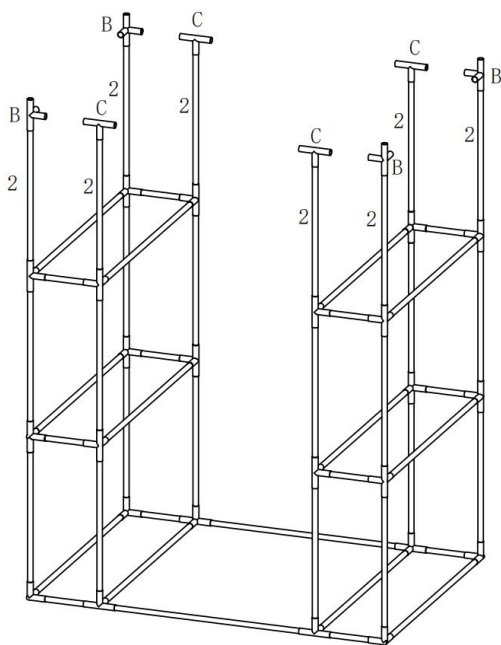
SETP4



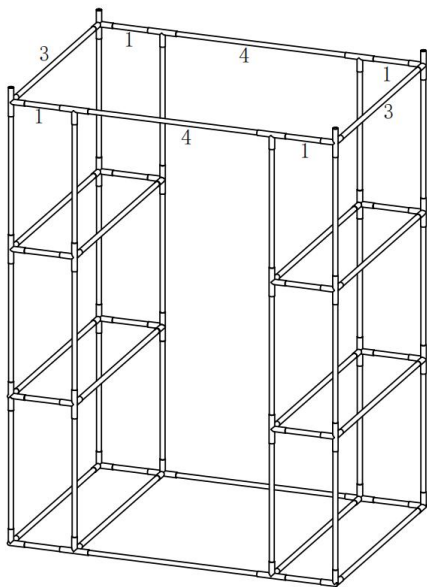
SETP5



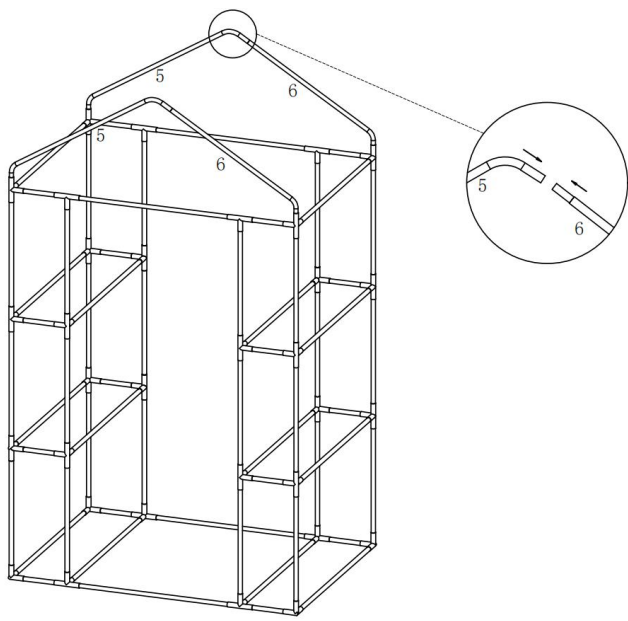
SETP6



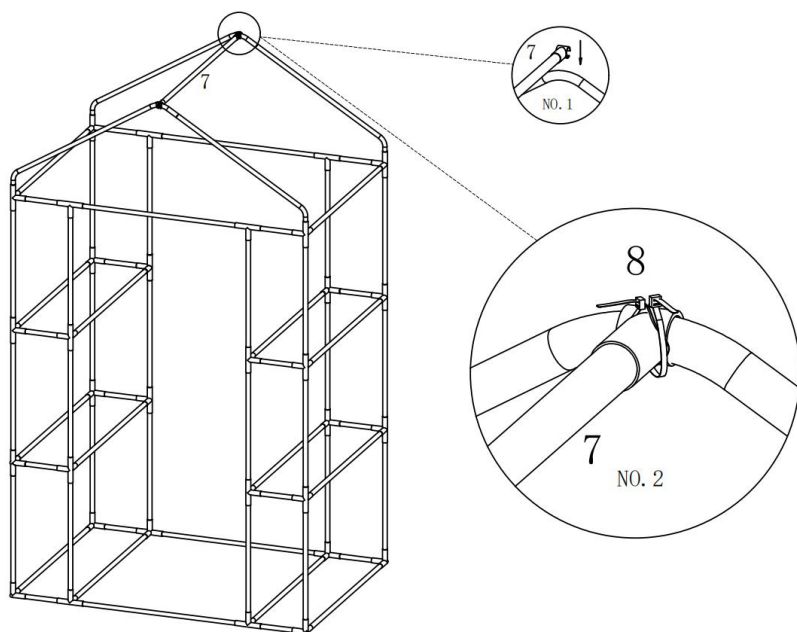
SETP7



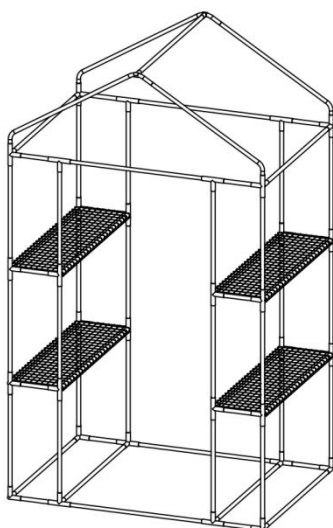
SETP8



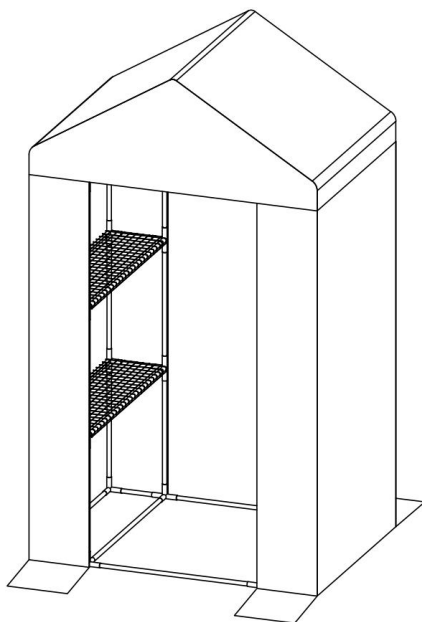
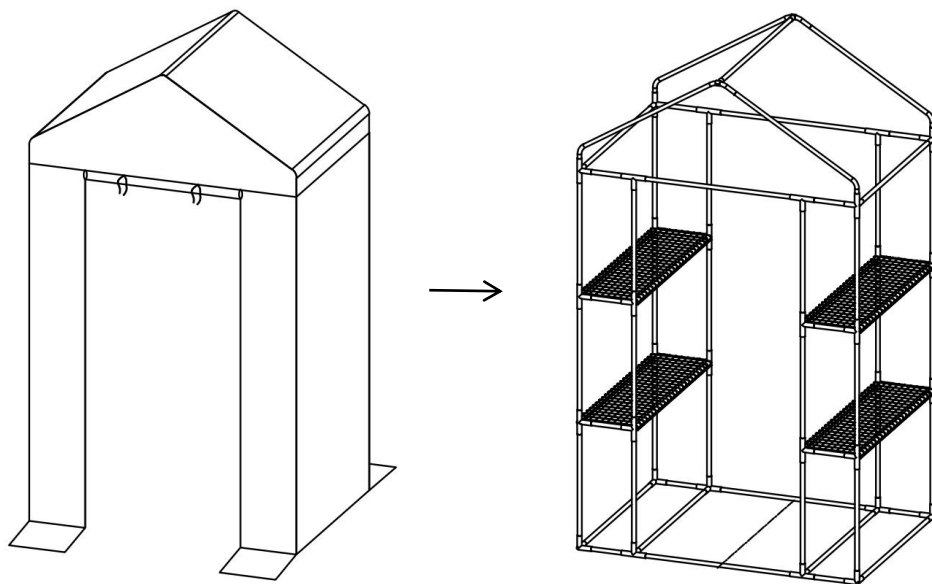
SETP9



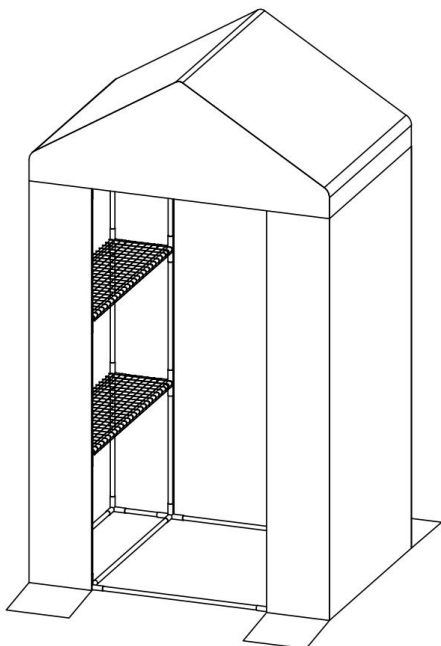
SETP10



SETP11



COMPLETION



E-mail: CustomerService@vevor.com

Manufacturer: ZHONGWANG(YANGZHOU) OUTDOOR PRODUCTS CO.,LTD.

ADD: No.81 Xinke Road, Gaoyou City, Jiangsu Province, China

Importer: WAITCHX

Address: 250 bis boulevard Saint-Germain 75007 Paris

Importer: FREE MOOD LTD

Address: 2 Holywell Lane, London, England, EC2A 3ET



EUREP GmbH
Unterlettenweg 1a, 85051 Ingolstadt,
Germany



EUREP UK LTD
UNIT 2264, 100 OCK STREET, ABINGDON
OXFORDSHIRE ENGLAND OX14 5DH

VEVOR[®]

TOUGH TOOLS, HALF PRICE

Support and E-Warranty Certificate

<https://www.vevor.com/support>