

# VEVOR<sup>®</sup>

**TOUGH TOOLS, HALF PRICE**

Technical Support and E-Warranty Certificate [www.vevor.com/support](http://www.vevor.com/support)

## **INDUSTRIAL MACHINERY MOVER USER MANUAL**

**Model:** GYZU-6T, GYZU-6T\*4, GYZG-6T\*4, GYW-3T

We continue to be committed to provide you tools with competitive price.

"Save Half", "Half Price" or any other similar expressions used by us only represents an estimate of savings you might benefit from buying certain tools with us compared to the major top brands and does not necessarily mean to cover all categories of tools offered by us. You are kindly reminded to verify carefully when you are placing an order with us if you are actually saving half in comparison with the top major brands.

# VEVOR<sup>®</sup>

TOUGH TOOLS, HALF PRICE

## INDUSTRIAL MACHINERY MOVER



### NEED HELP? CONTACT US!

Have product questions? Need technical support? Please feel free to contact us:

 [CustomerService@vevor.com](mailto:CustomerService@vevor.com)

This is the original instruction, please read all manual instructions carefully before operating. VEVOR reserves a clear interpretation of our user manual. The appearance of the product shall be subject to the product you received. Please forgive us that we won't inform you again if there are any technology or software updates on our product.

## **▲WARNING**

1. Read carefully and understand all **ASSEMBLY AND OPERATION INSTRUCTIONS** before operating.
2. Failure to follow the safety rules and other basic safety precautions may result in serious personal injury.

## **GENERAL SAFETY RULES**

1. It is recommended to use this product on flat, hard ground.
2. It is strictly prohibited to use this product on uneven or soft ground, which is liable to cause property and personal injury.
3. 3.This product is not suitable for use on sloping ground, otherwise accidents will occur easily.
4. 4.Do not use more than the product load capacity.
5. 5.Because the ground is not smooth, the wheels of each mover may not be all involved in the work, it is recommended under the nominal load to use.
6. 6.When using this product, it should be moved slowly at a low speed, as excessive speed can easily cause the mover to slide out, Accidents happen easily.
7. 7.When the load is lighter, the steering performance of the mover is about good; conversely, the steering performance of the mover is not good.Do not swerve when the operator is struggling to turn. Heavy-duty steering will cause serious wear on PU wheels, it is recommended to use Jack lifting to assist the mover steering.
8. 8.Do not recommend the use of a single or 2 movers together to carry large equipment, such use is not safe;For heavy equipment, 3 or 4 movers are usually used together.
9. 9.For high and narrow equipment, due to the high center of gravity, the use of mover handling measures to prevent possible overturning.
- 10.10.When multiple movers are used together, rubber pads are added to ensure consistency in height;When handling, control the direction of each

mover should be consistent, otherwise it is difficult or impossible to move. When turning, it is suggested to lift the weight slightly with the aid of Jack and other tools to facilitate the mover to turn.

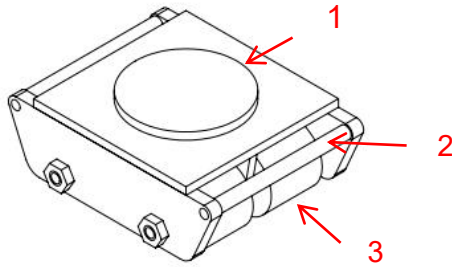
## SAVE THESE INSTRUCTIONS

### MODEL AND PARAMETERS

Model	GYZU-6T	GYZU-6T*4	GYZG-6T*4	GYW-3T
Total Load Capacity	4T	8T	12T	3Ton
Single Load Capacity	/	4T	4T	/
Package	1	4	4	1
Number of Wheels	4	4	4	3
Wheel Type	PU	PU	Carbon Steel	PU
Material	Carbon Steel	Carbon Steel	Carbon Steel	Carbon Steel
Color	Yellow	Yellow	Yellow	Yellow

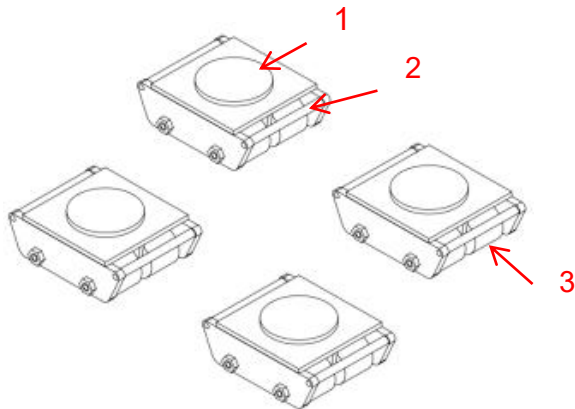
## STRUCTURE DIAGRAM

### GYZU-6T



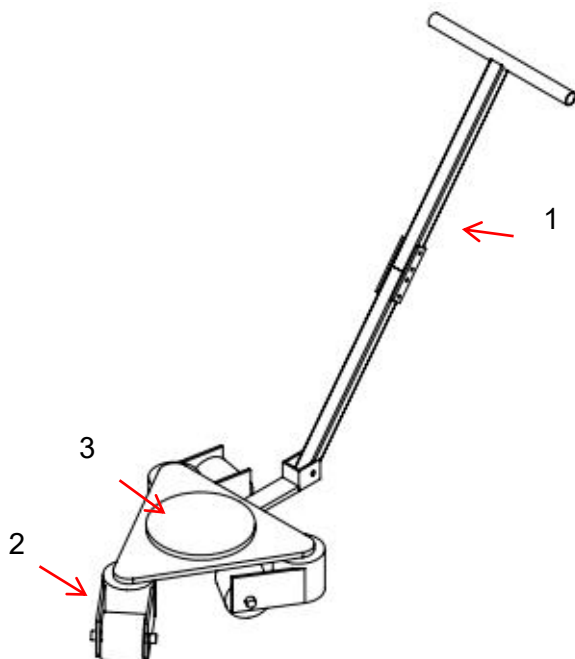
1. Rotary Disc 2. Integrated Tie Rod 3. Wheel

### GYZU-6T\*4, GYZG-6T\*4



1. Rotary Disc 2. Integrated Tie Rod 3. Wheel

## GYW-3T



1. Handle 2.Swivel Roller 3.Rotary Disc

## COMPONENTS

NO.	Name	GYZU-6T	GYZU-6T *4	GYZG-6T *4	GYW-3T
1	Industrial Machinery Mover	1	4	4	1
2	Glove	/	/	/	1
3	Bolt+Nut	/	/	/	4
4	Connecting Sheet	/	/	/	2
5	Handle	/	/	/	2
6	User manual	1	1	1	1

## OPERATING INSTRUCTION

**Step1:** Use a large pry bar or hydraulic jack to lift the equipment.

**Step2:** Place the industrial machinery movers in the bottom of the equipment.

**Step3:** Ensure that the equipment is placed in the load-bearing center of the industrial machinery mover.

**Step4:** When using this product, it should be moved slowly at a low speed, as excessive speed can easily cause the movers to slide out.

**NOTE:** According to the different weight and size of the equipment to choose the industrial machinery mover model, there are five styles to choose from, as shown below:

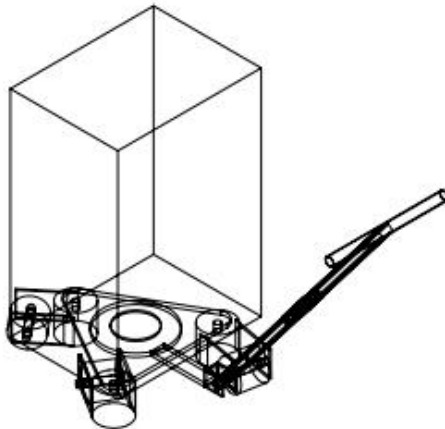


Fig.1



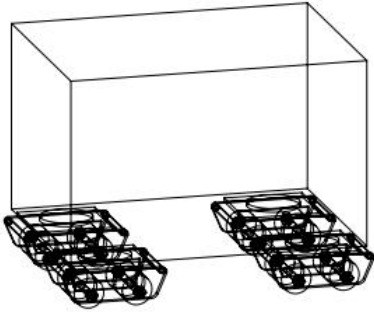


Fig.2

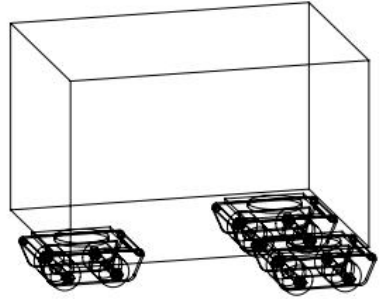


Fig.3

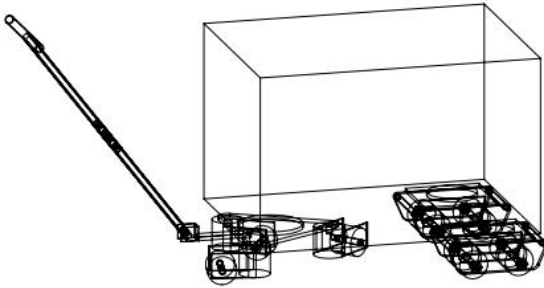


Fig.4

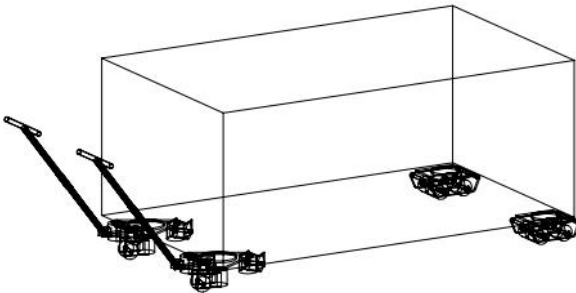
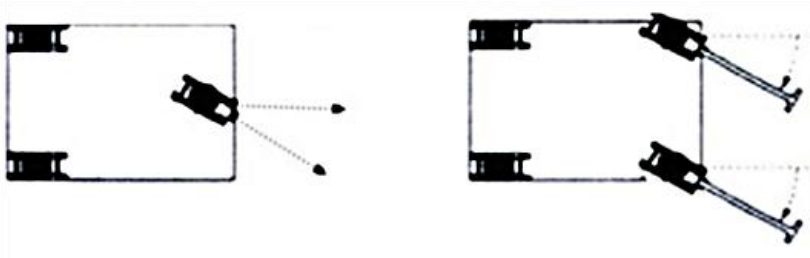


Fig.5

## 2 Steering Modes For Reference:



### MAINTENANCE

1. After the use of the mover, remove the wheel of iron filings and other sharp objects, storage dry environment.
2. Regular inspection of the mover, Replace bearings, if the wheel rotation is not flexible or large bearing clearance, noise; Replace the wheel in time, if the wheel is damaged.
3. After use, PU Wheel's mover should be cleaned in time, because the wheel is easy to be hurt by sharp objects such as iron filings, sand, oil, etc.
4. If the surface paint of the mover is damaged, it is recommended to repair it in time to avoid rusting.

**Address:** Baoshanqu Shuangchenglu 803long 11hao 1602A-1609shi  
Shanghai

**Imported to AUS:** SIHAO PTY LTD, 1 ROKEVA STREETEASTWOOD  
NSW 2122 Australia

**Imported to USA:** Sanven Technology Ltd., Suite 250, 9166 Anaheim  
Place, Rancho Cucamonga, CA 91730



Pooledas Group Ltd  
Unit 5 Albert Edward House, The Pavilions  
Preston, United Kingdom



SHUNSHUN GmbH  
Römeräcker 9 Z2021, 76351  
Linkenheim-Hochstetten, Germany

**Made In China**

**VEVOR<sup>®</sup>**

**TOUGH TOOLS, HALF PRICE**

**TechnicalSupport and E-Warranty Certificate**

**[www.vevor.com/support](http://www.vevor.com/support)**